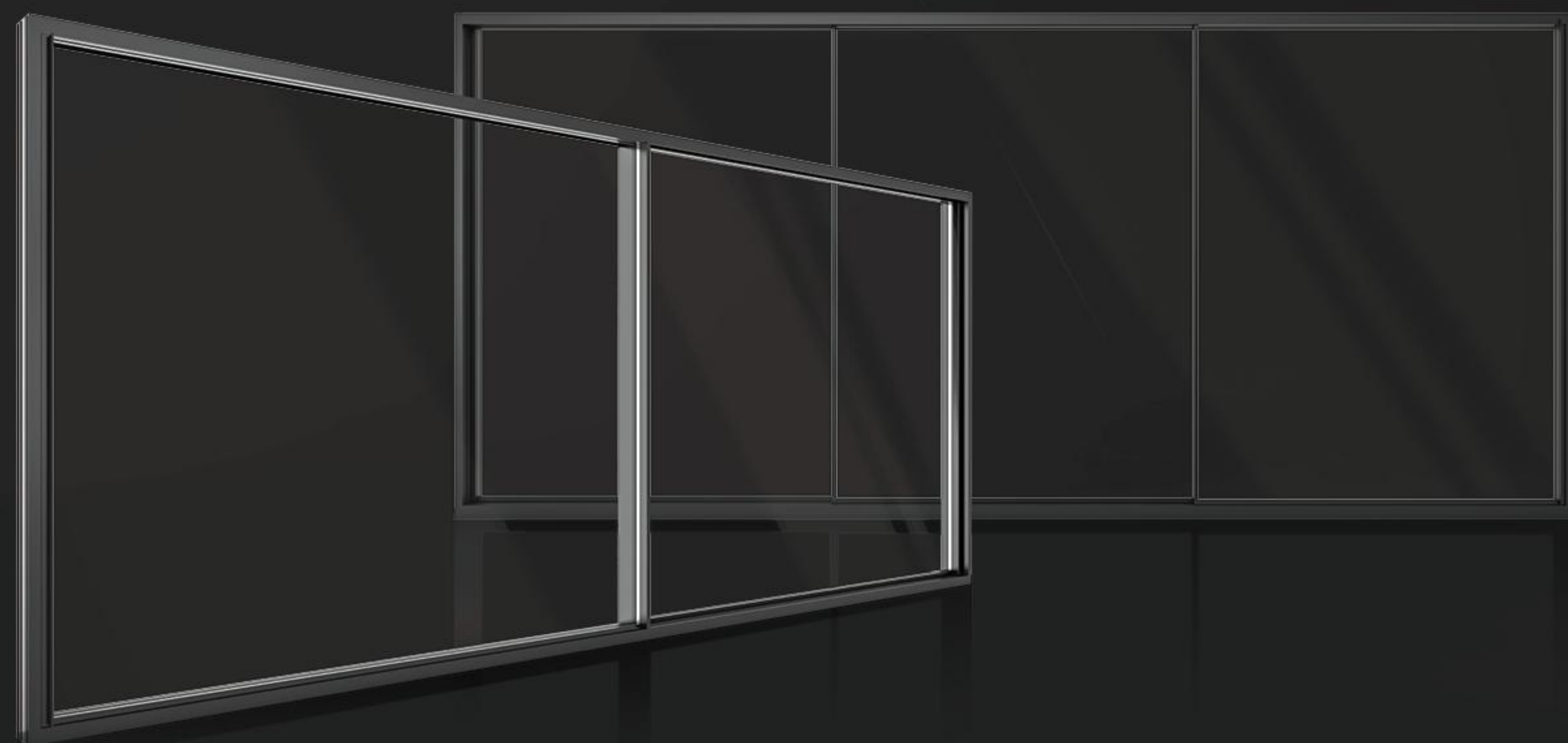




**ANKEN**<sup>®</sup>  
安科纳系统门窗

CUSTOMIZATION OF HIGH-PERFORMANCE  
DOOR AND WINDOW SYSTEMS

# COMPANY PROFILE



Anken is a modern enterprise dedicated to the research, production, and service of aluminum alloy windows and doors. The company always adheres to core concept of "Quality First, Innovation-Driven, and Thoughtful Service" and has accumulated a good reputation in the industry.

The product line focuses on the core categories of alloy windows and doors, covering ordinary aluminum alloy windows and doors, high-performance insulated aluminum windows and doors, and customized system windows and doors. It adapts to various scenarios as villas, apartments, and commercial places, meeting different decoration needs.

The professional R&D team specializes in technological innovation and has a unique advantage in product performance with multiple technologies. In the future, the company will continue to increase its investment in technology research and development, optimize its product structure, expand its service network, and strive to provide more customers with green energy-saving, safe and beautiful aluminum alloy window and door solutions.

# PRODUCT CATALOG



140 Panoramic Sliding Door 04

160 Panoramic Sliding Door 11

130 Heavy-duty Sliding Door 24

150 Smart Lifting Window 37

73/65 Folding Door System 45

Glass railing 63

# 140 Panoramic Sliding Door







## Selective color

	Titanium grey
	Space gray
	Munich
	Fair skin
	Black Onyx
	Ceramic beauty ash
	Ceramic beauty silver
	Patek Philippe

## Technical Parameter

**Section thickness:** 2.5/3.0mm  
**Border width:** 140mm  
**Narrowest visible surface:** 20mm  
**Glass channel width:** 38mm  
**Glass configuration:** 5mm+24A+5mm Double tempered glass

## Performance index

 Water tightness 300 Pa(Class 7A)	 Acoustic Performance 35-40 db	 Air tightness Class 3
 Thermal insulation $U_w \leq 1.8-2.0$	 Wind load resistance Up to 2800 Pa	 Maximum size/weight of a single fan 8 m <sup>2</sup> /600kg

## Product introduction

**Full hidden design of lattice fan:**  
 The curved business surface is only 20mm, experience the beauty of a wide field of view.

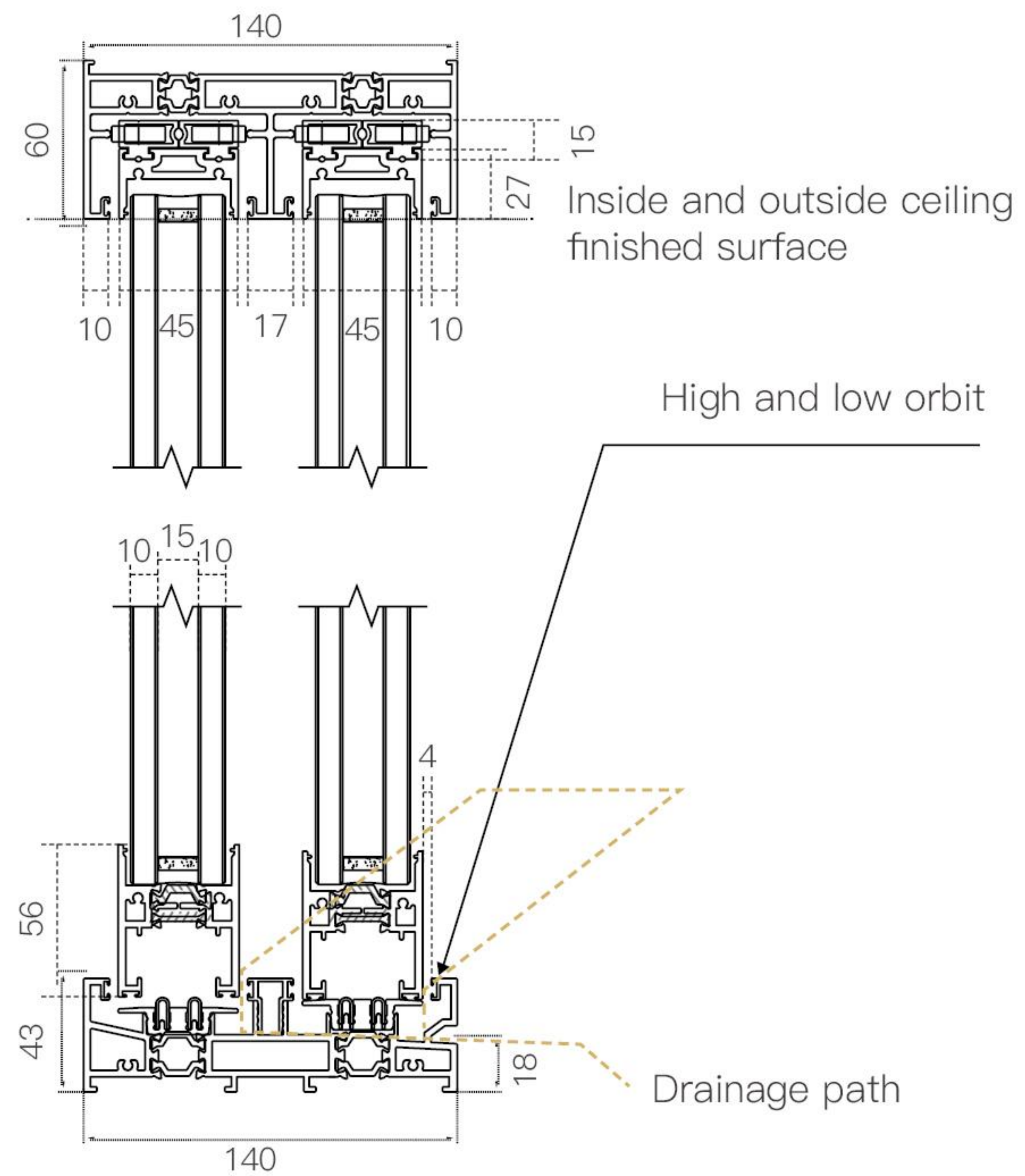
**Linear track design:**  
 The lower track is embedded flush with the ground, allowing unimpeded passage.

**Strengthen the design of the enterprise:**  
 Standard with reinforced hook, wind pressure resistance up to level 11.

**Sunken floor drain slot:**  
 The threshold is flush with the floor, improving accessibility while ensuring rainwater does not enter the room.

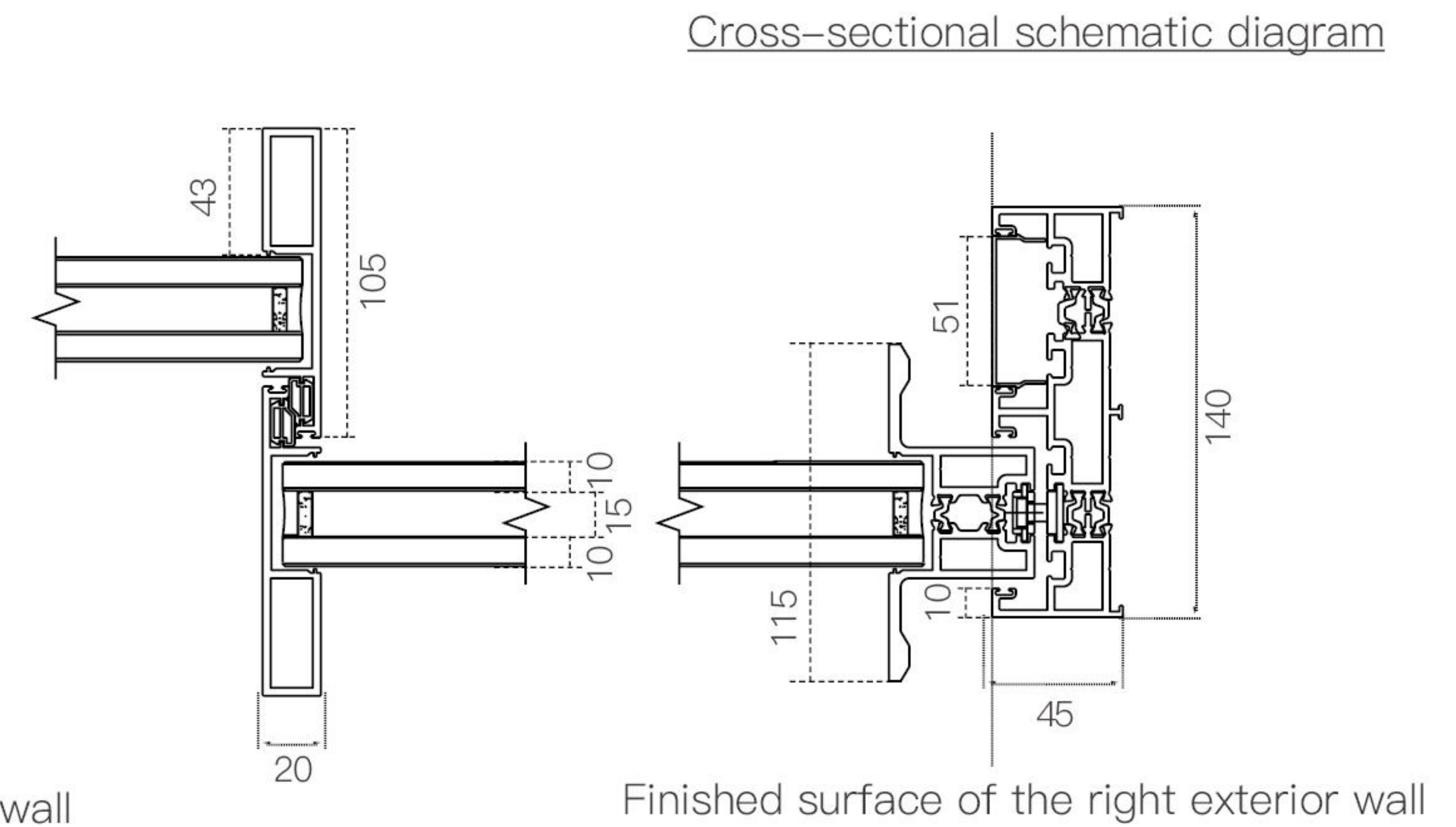
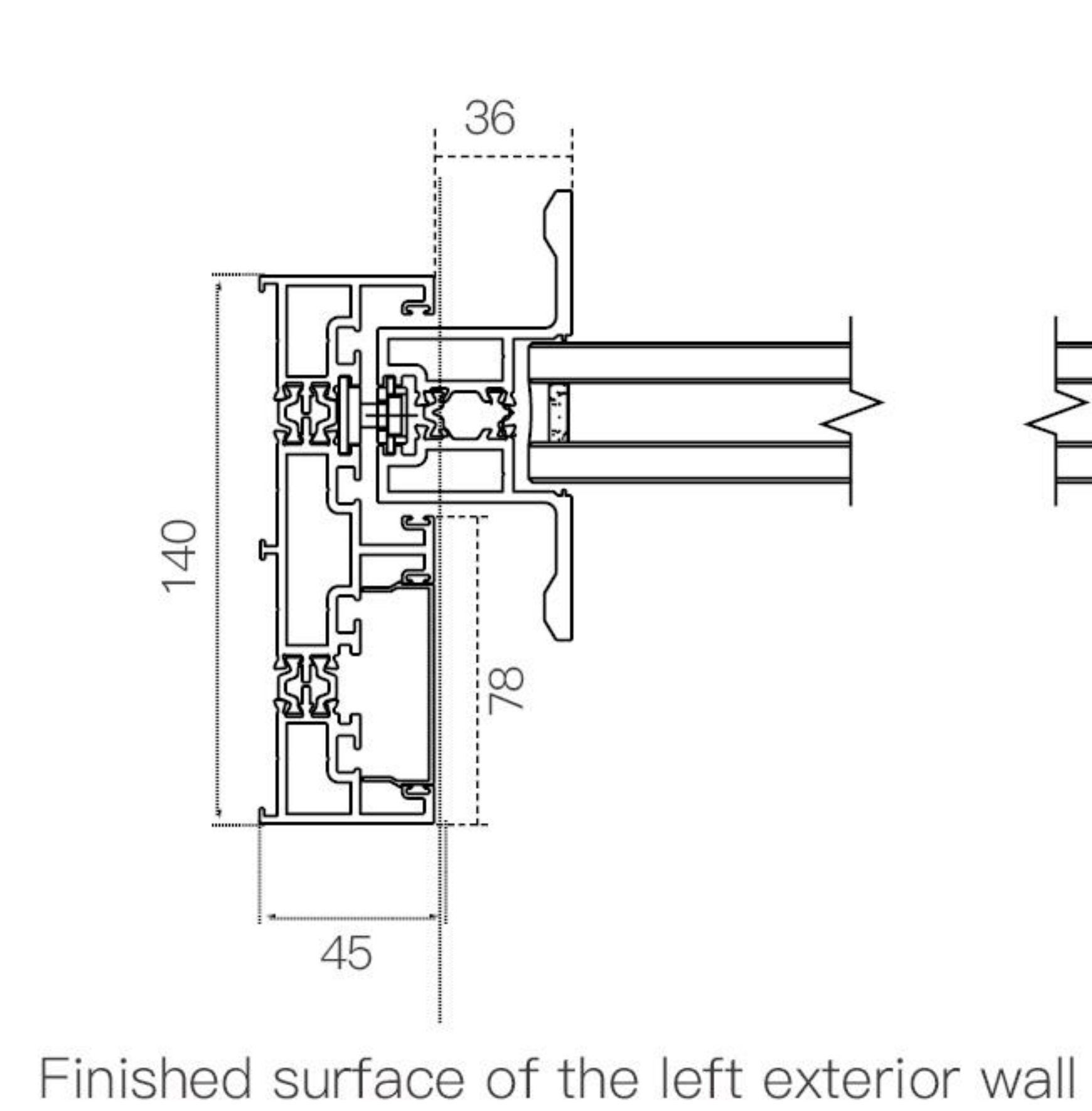
# Details Optional Solutions Full-view sliding door two-track scheme

Longitudinal sectional view



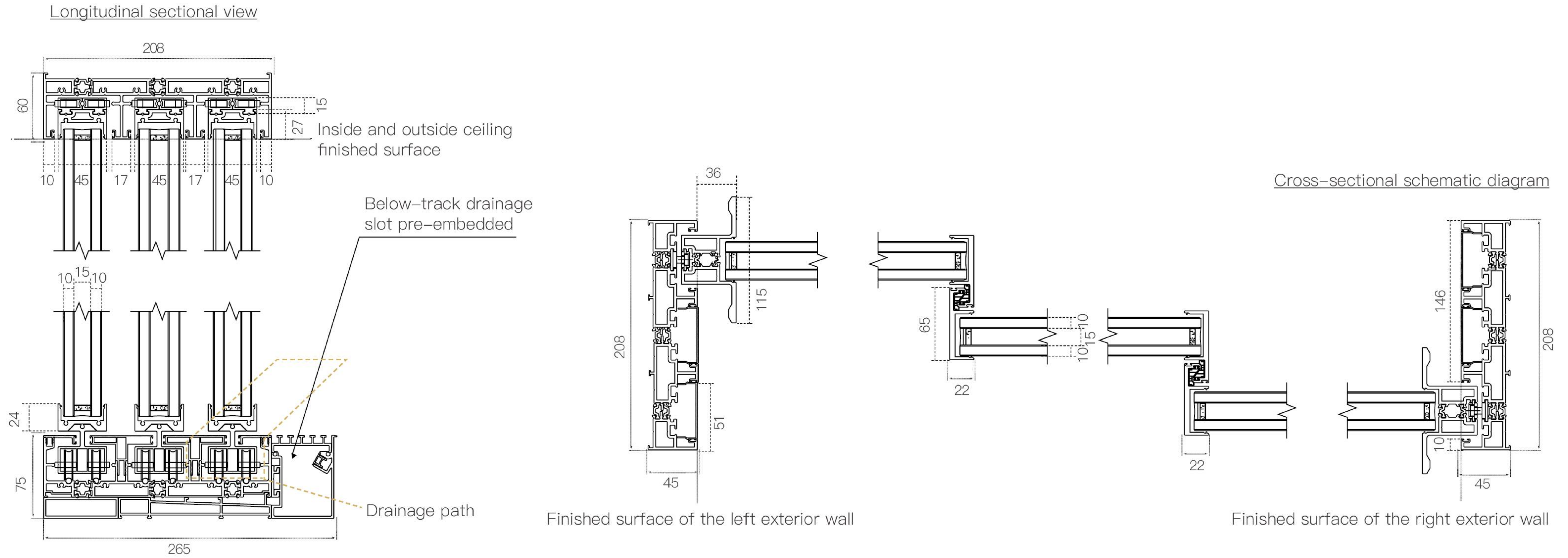
140 Panoramic Sliding Door

Ratio 1: 1 Unit:mm



(Note: The upper track is embedded indoors and outdoors by 60mm, and the vertical side frame is embedded indoors and outdoors by 45mm on left and right.)

# Details Optional Solutions Full-view sliding door three-track scheme

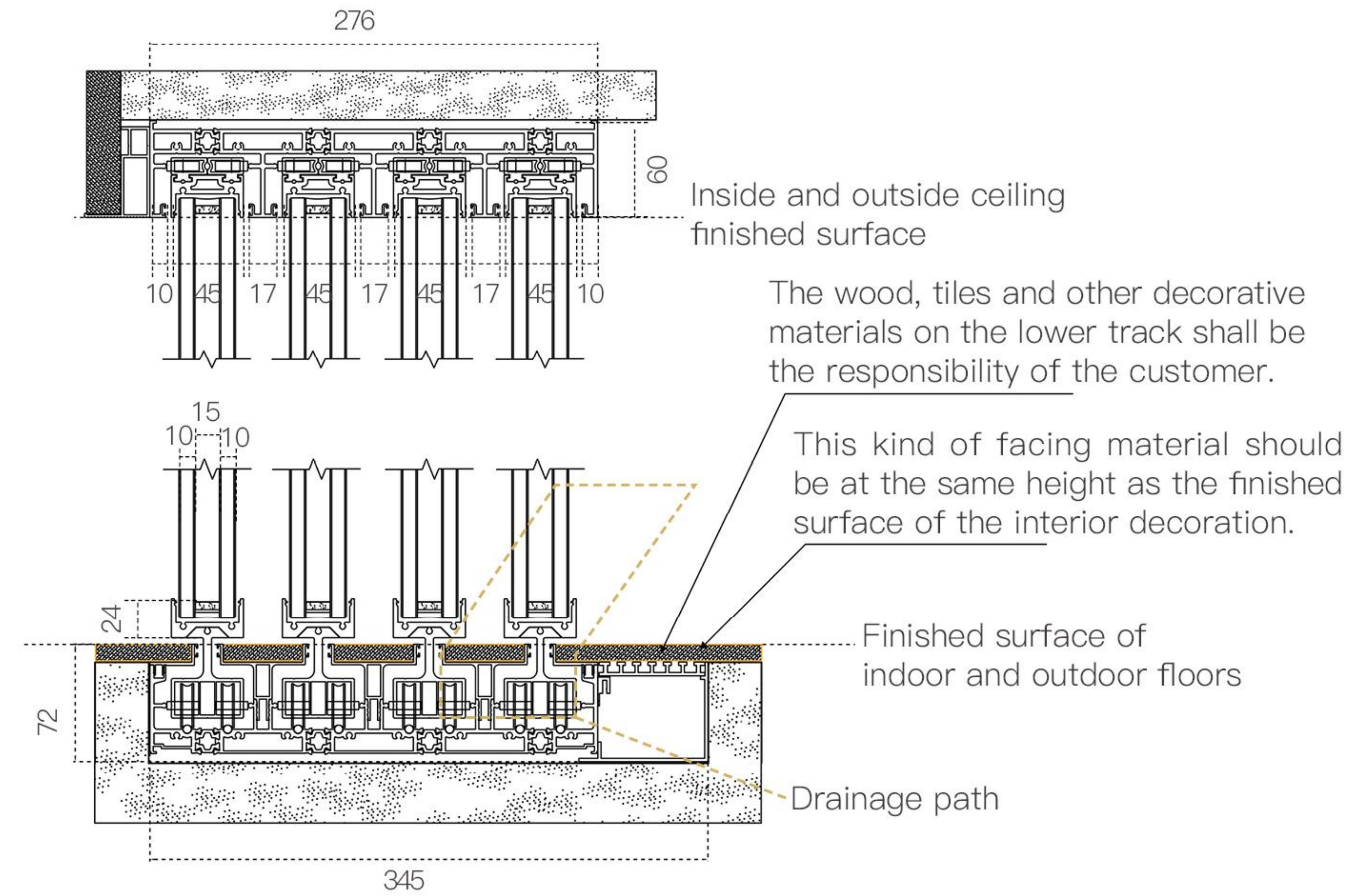


140 Panoramic Sliding Door Ratio 1: 1 Unit:mm

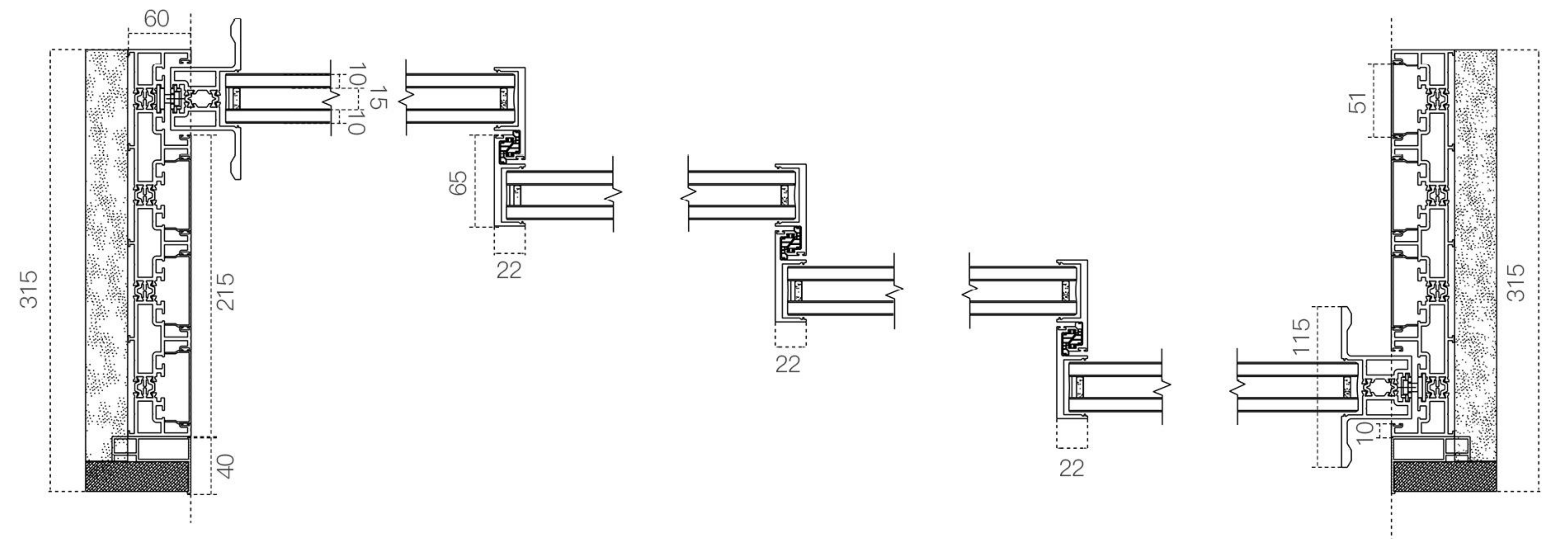
(Note: The upper track is embedded indoors and outdoors for 60mm, the lower track is embedded indoors and outdoors for 75mm, the vertical side frame is embedded indoors and outdoors for 45mm on the left and right.)

# Details Optional Solutions **Full-view sliding door four-track scheme**

Longitudinal sectional view



Cross-sectional schematic diagram



Finished surface of the left exterior wall

Finished surface of the right exterior wall

140 Panoramic Sliding Door Ratio 1: 1 Unit:mm

(Note: The upper track is embedded indoors and outdoors for 60mm, the lower track is embedded indoors and outdoors for 75mm, the vertical side frame is embedded indoors and outdoors for 45mm on the left and right.)



## LINEAR PAVING TRACK

Track pre-embedded installation, bricks laid on the track flush with the ground,  
Integrated visual effect, highlighting a beautiful and grand appearance,  
Barrierfree passage is more convenient.

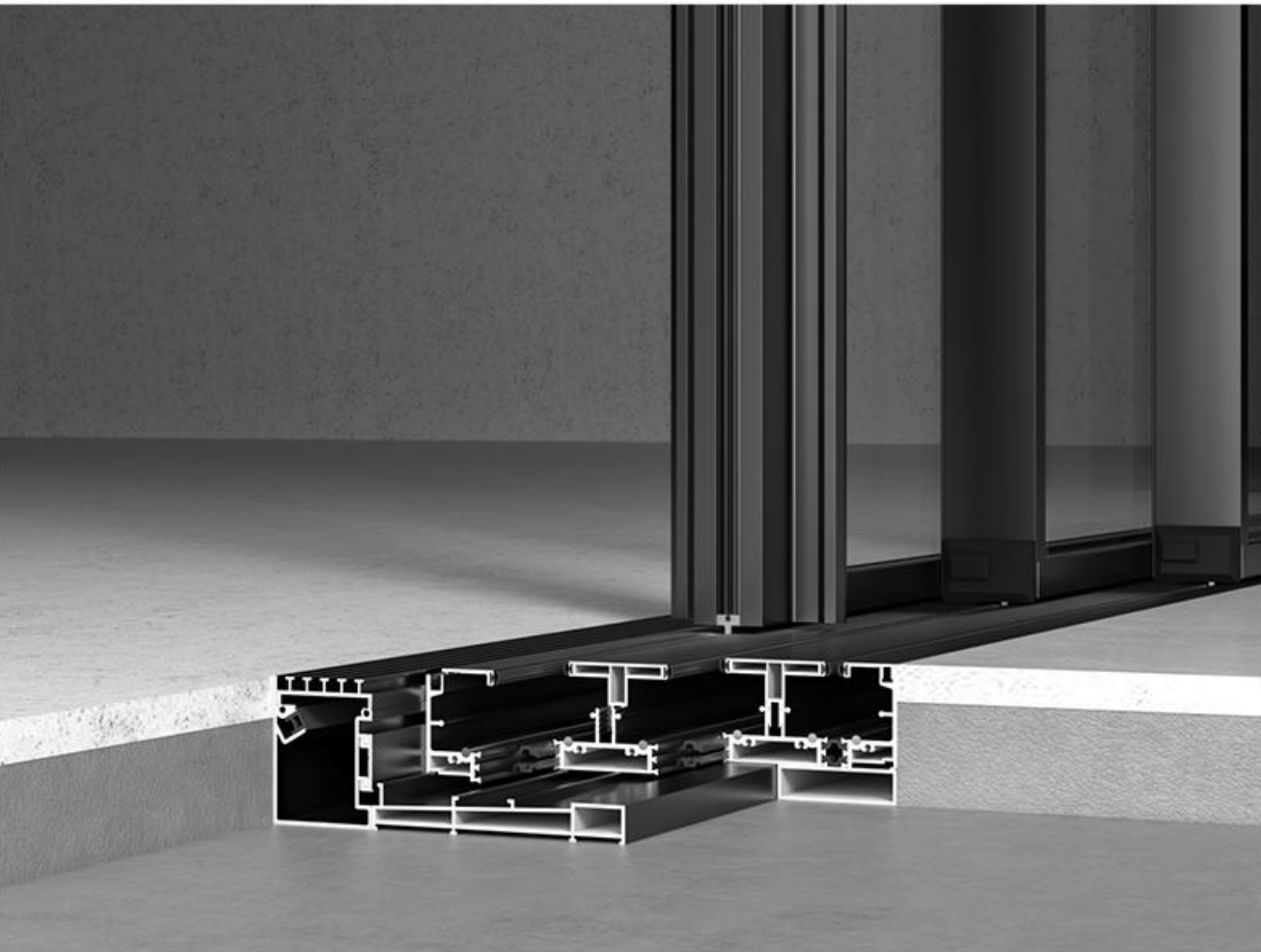
# LINEAR TRACK DESIGN

Smooth and beautiful barrier-free passage

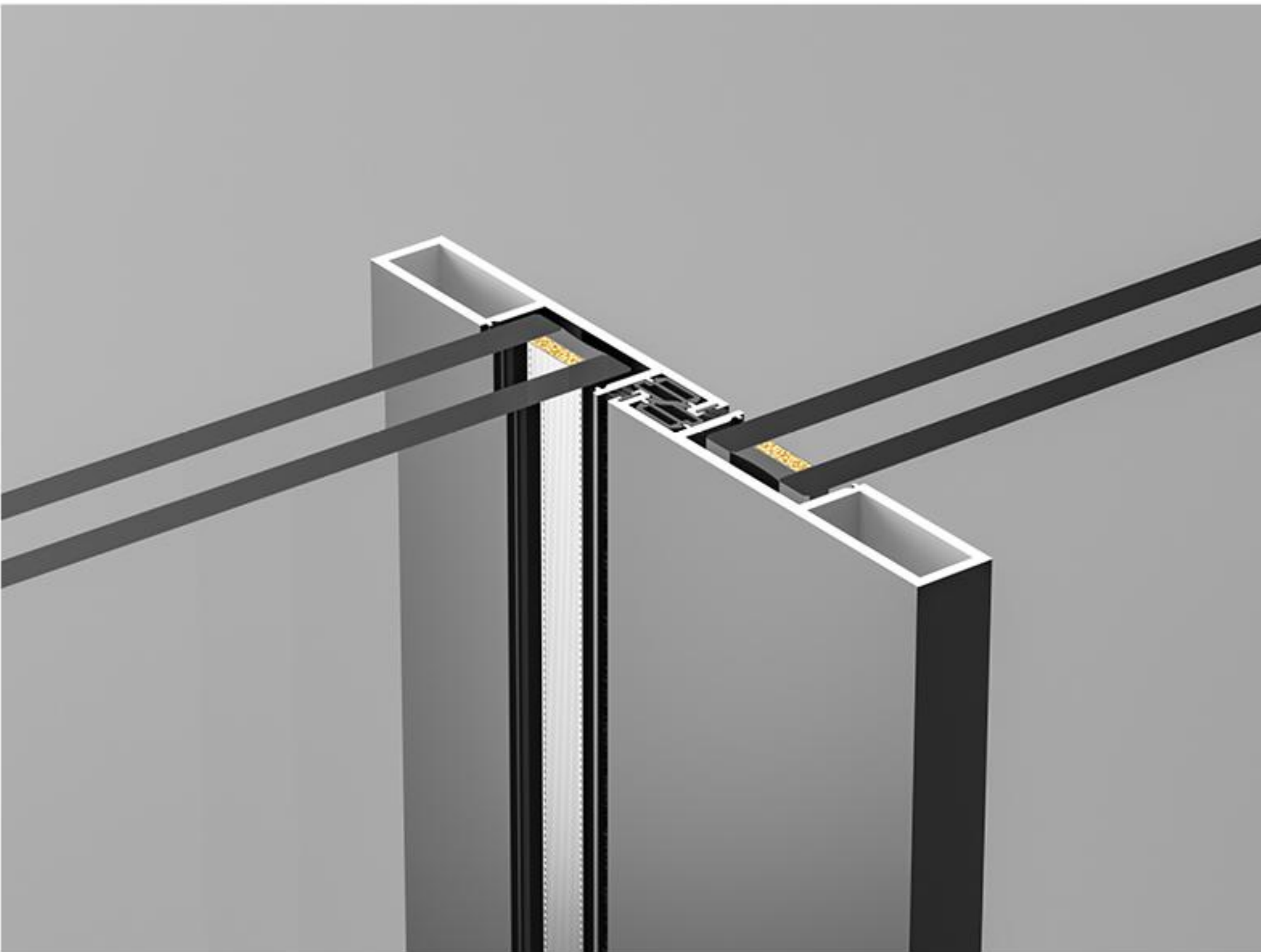
The linear track system makes the floor look flatter, more beautiful and coherent, and the door leaf slides as if it were suspended in the air.

# QUALITY SO SOLID THE WARRANTY IS TRANSFERABLE

Most other window and door warranties end when a home is sold, but our coverage. 20 years on glass, 10 years on non-glass parts—transfers from each homeowner to the next. And, because it's not prorated, the coverage offers full benefits, year after year owner after owner. So it can add real value when you decide to sell your home.



Linear paving track



Super wind pressure resistant design



Railway wheel track design



High and low track design



# SUPER WIND PRESSURE RESISTANT DESIGN

Standard with reinforced hook enterprises,  
wind pressure resistance can reach grade 11  
and are not afraid of typhoons in coastal areas.









# ELECTRICALLY OPERATED GATE LINKAGE TRACK

Diversified design, can be made into two-leaf or multi-leaf linkage, which solves the customer's special customization needs for different scenarios.



# 160 Panoramic Sliding Door







## Selective color

	Titanium grey
	Space gray
	Munich
	Fair skin
	Black Onyx
	Ceramic beauty ash
	Ceramic beauty silver
	Patek Philippe

## Technical Parameter

**Section thickness:** 2.5/5.0mm  
**Border width:** 160mm  
**Narrowest visible surface:** 27mm  
**Glass channel width:** 42mm  
**Glass configuration:** 8mm+22A+8mm Double tempered glass

## Performance index

 Water tightness 600 Pa(Class 9A)	 Acoustic Performance 30-35 db	 Air tightness Class 3
 Thermal insulation Uw ≤ 1.6-1.8	 Wind load resistance Up to 3500 Pa	 Maximum size/weight of a single fan 15 m <sup>2</sup> /1200kg

## Product introduction

**Full hidden design of lattice fan:**  
 The curved business surface is only 27mm, experience the beauty of a wide field of view.

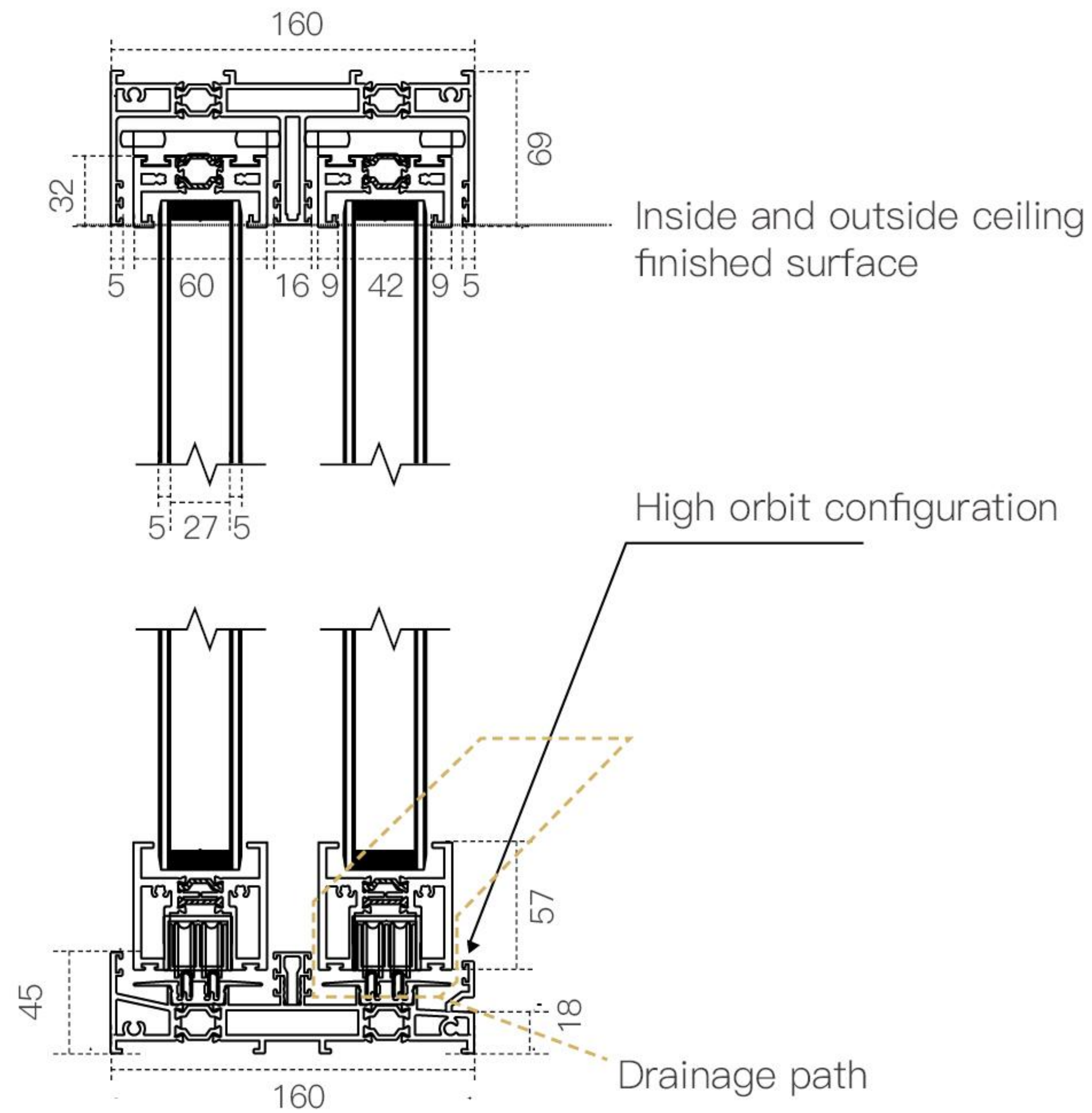
**Cross-style stainless steel wheel design:**  
 Realize ultra-large weighing, push and pull smoothly and effortlessly.

**Lower track suspension design:**  
 Hidden track design enhances the overall aesthetics of the door.

**Sunken floor drain slot:**  
 The threshold is flush with the floor, improving accessibility while ensuring rainwater does not enter the room.

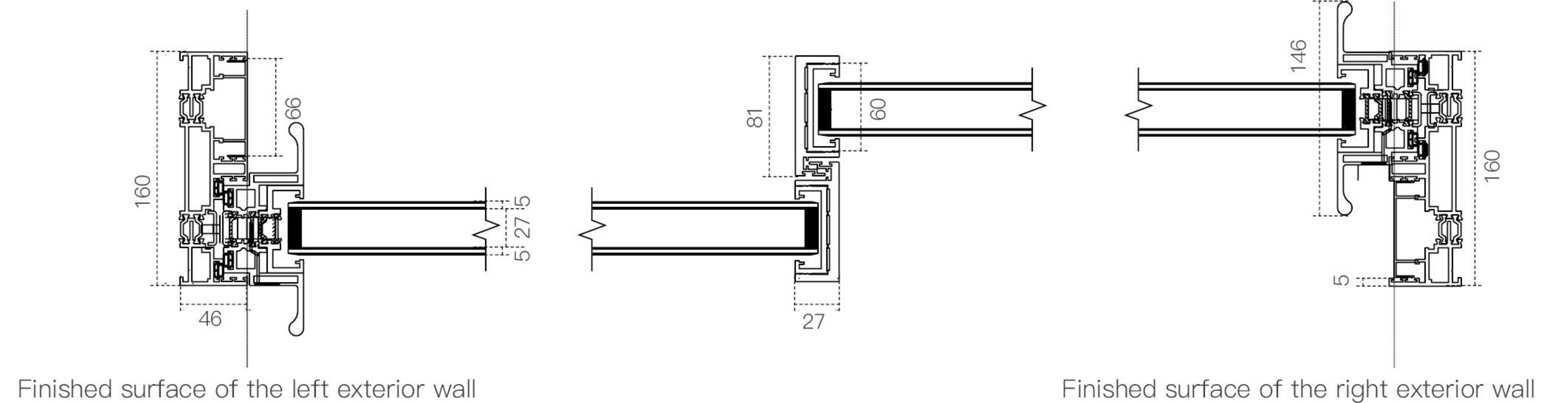
# Details Optional Solutions Full-view sliding door two-track scheme

Longitudinal sectional view



160 Panoramic Sliding Door Ratio 1: 1 Unit:mm

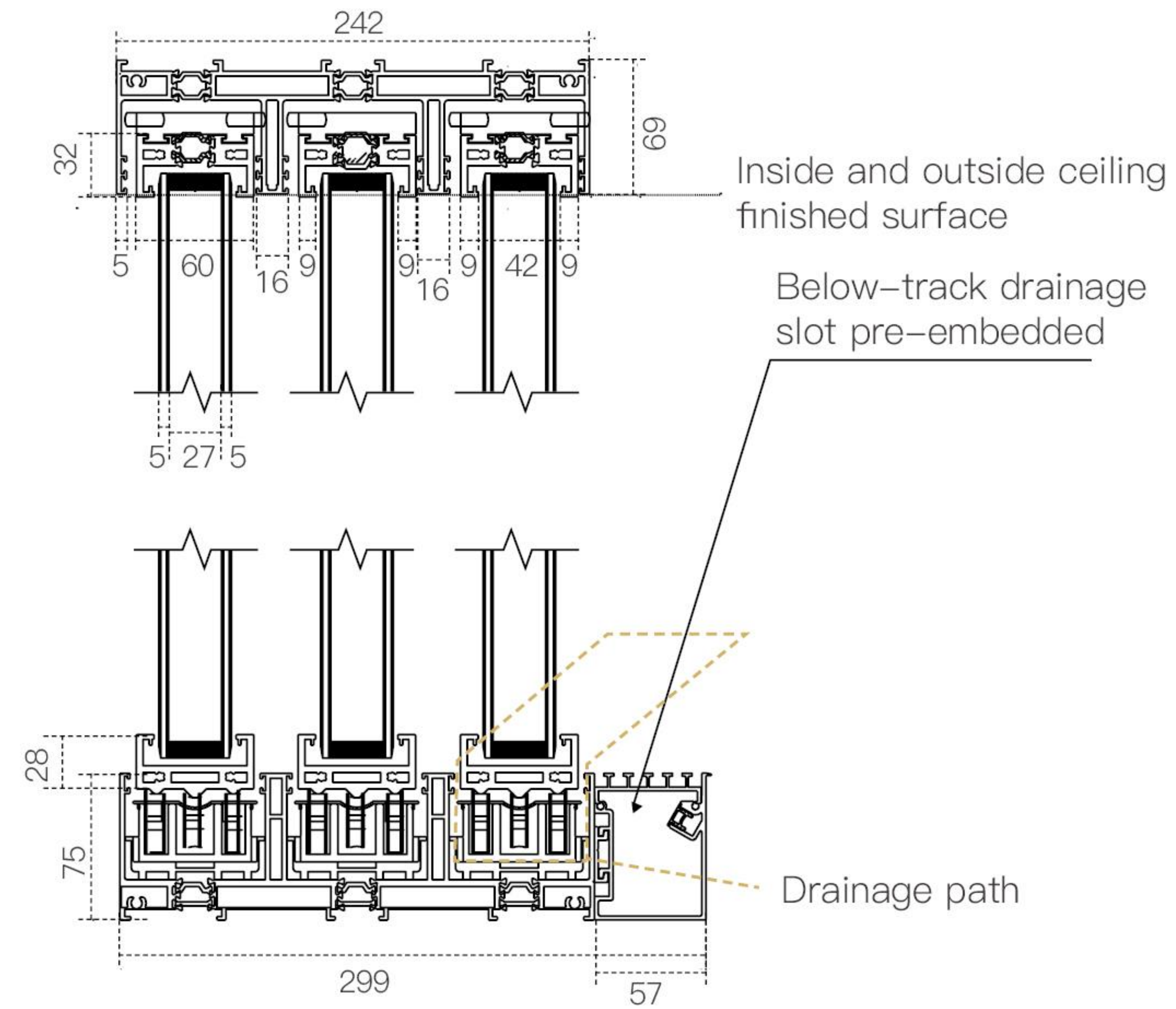
Cross-sectional schematic diagram



(Note: The upper track is embedded indoors and outdoors for 69mm, and the vertical side frame is embedded indoors and outdoors for 46mm on left and right.)

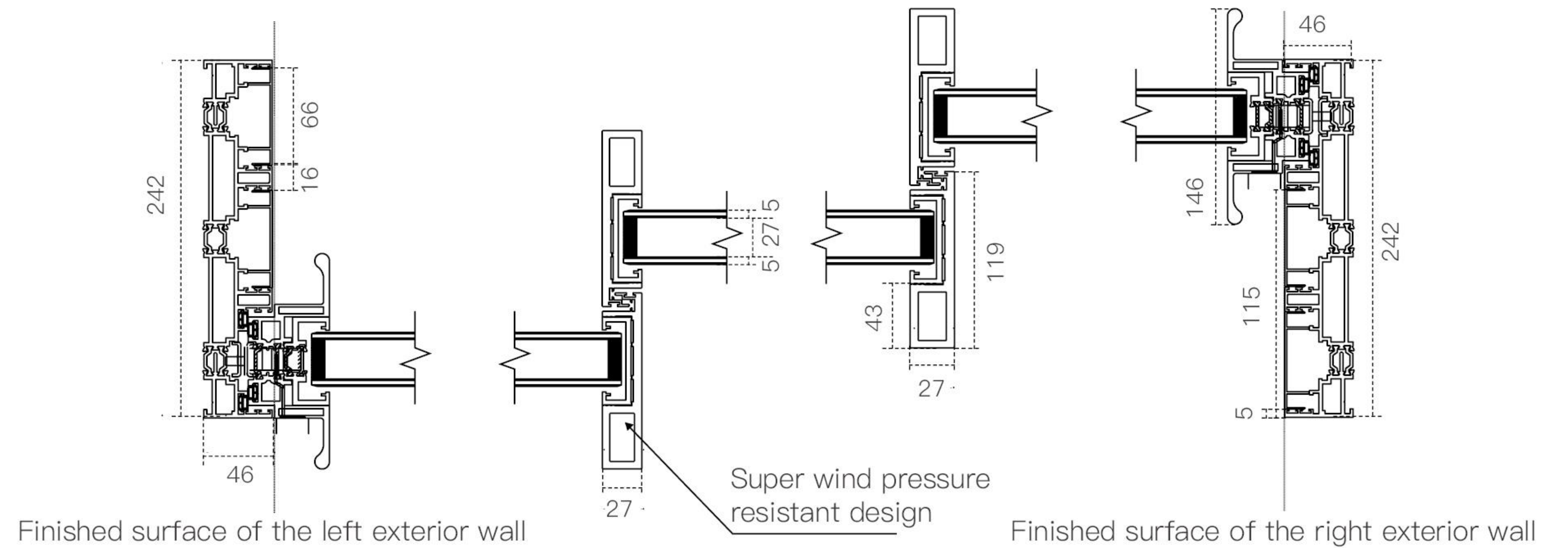
# Details Optional Solutions Full-view sliding door three-track scheme

Longitudinal sectional view



160 Panoramic Sliding Door Ratio 1: 1 Unit:mm

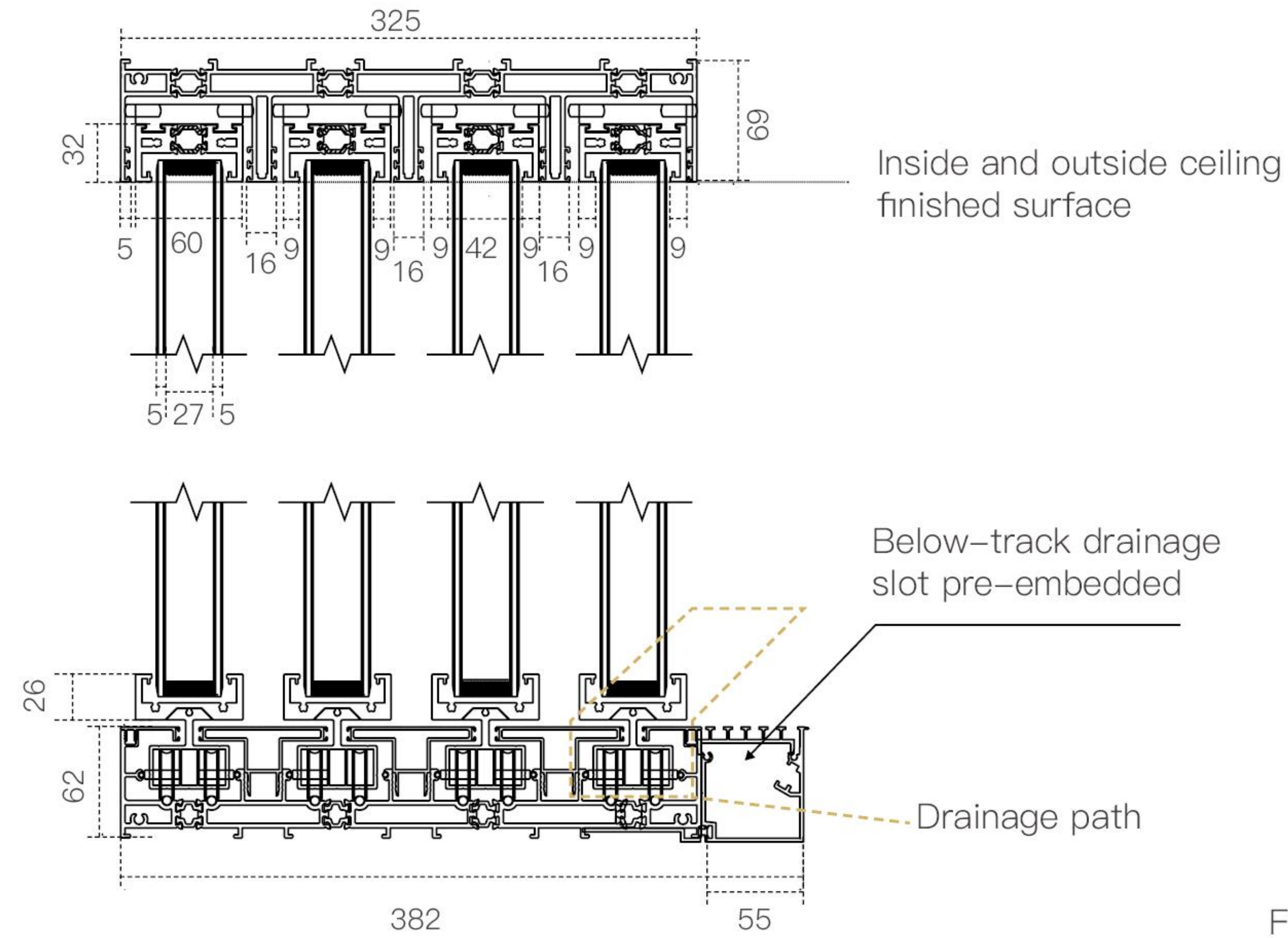
Cross-sectional schematic diagram



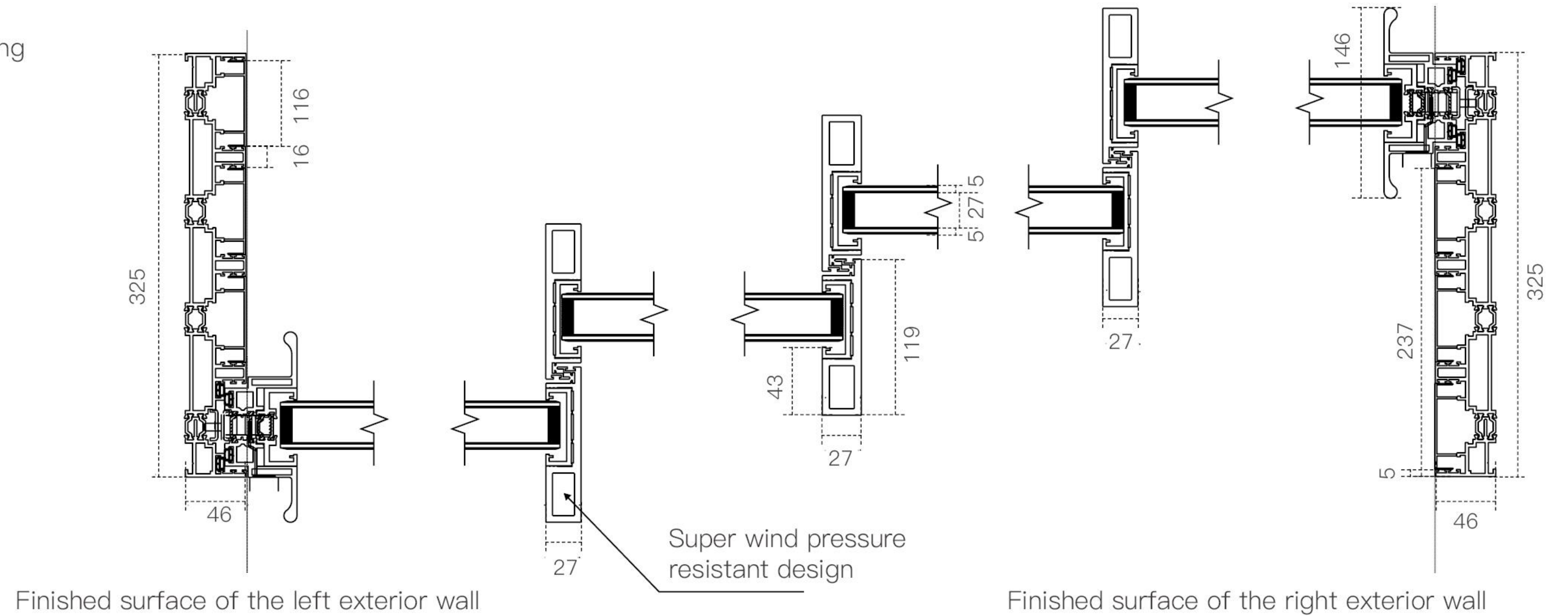
(Note: The upper track is embedded indoors and outdoors 69mm, the lower track is embedded indoors and outdoors 75mm, the vertical frame is embedded indoors and outdoors 46mm on the left and right.)

# Details Optional Solutions Full-view sliding door four-track scheme

Longitudinal sectional view



Cross-sectional schematic diagram

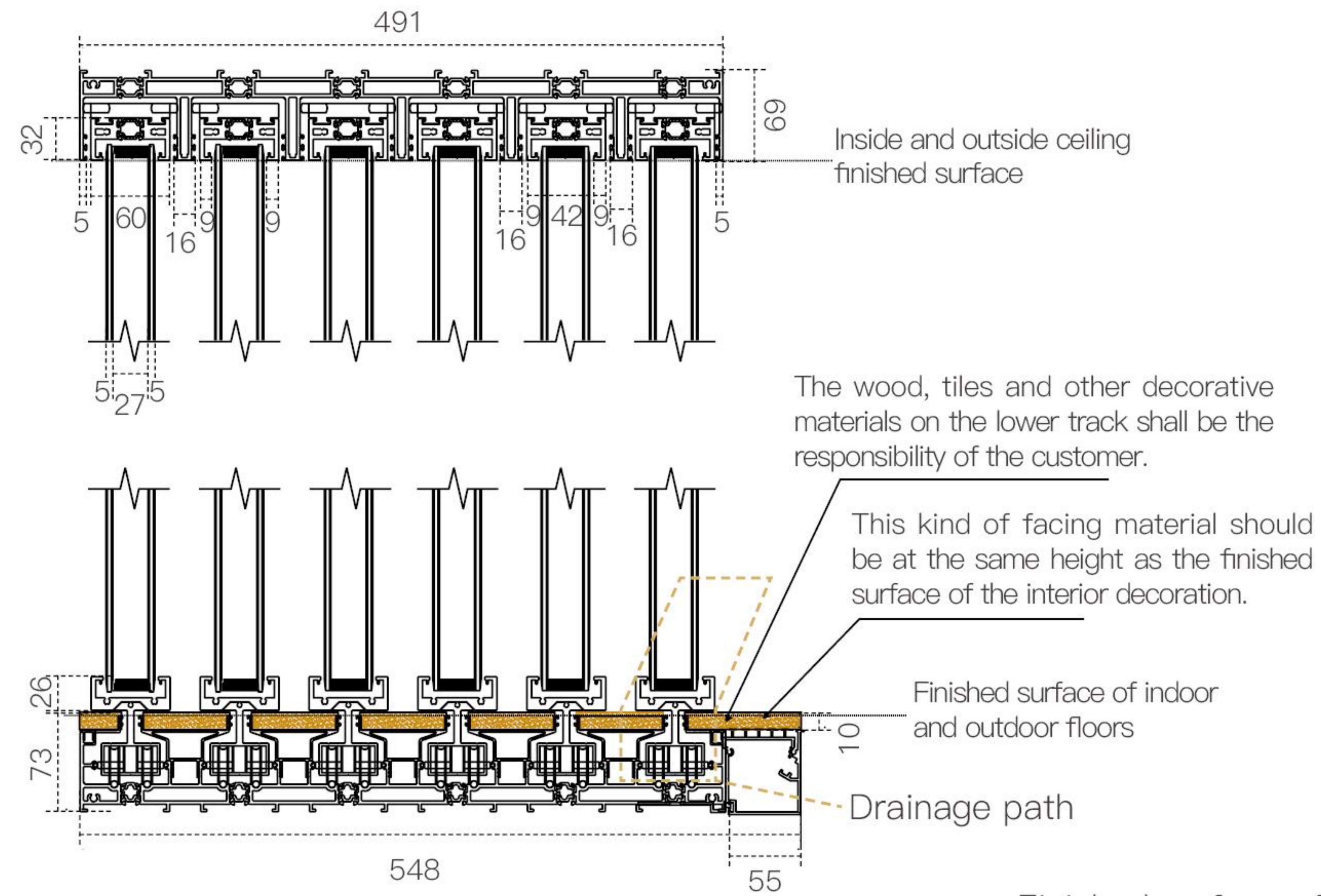


160 Panoramic Sliding Door Ratio 1: 1 Unit:mm

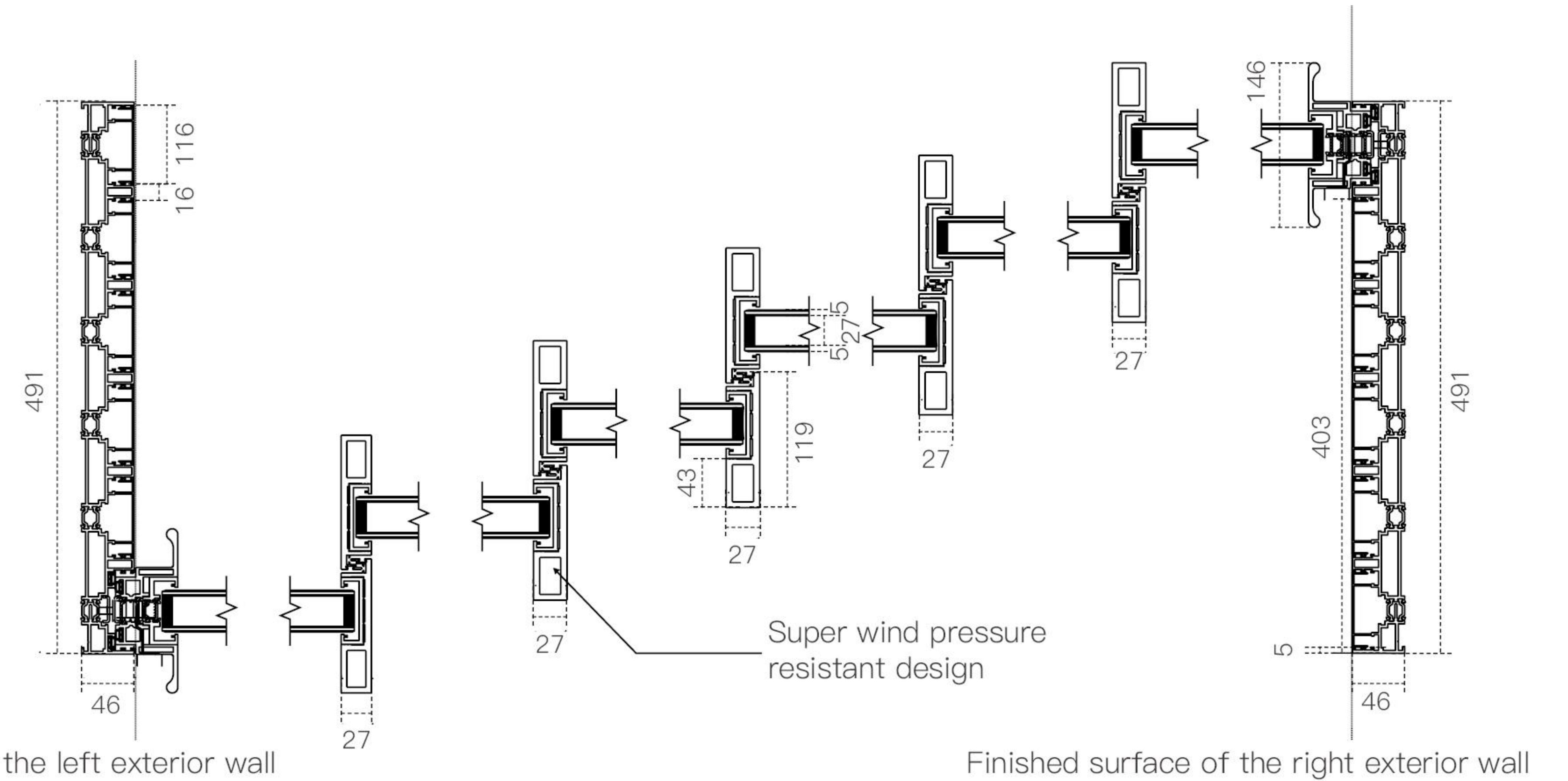
(Note: The upper track is embedded indoors and outdoors 69mm, the lower track is embedded indoors and outdoors 62mm, the vertical frame is embedded indoors and outdoors 46mm on the left and right.)

# Details Optional Solutions **Full-view sliding door six-track scheme**

Longitudinal sectional view



Cross-sectional schematic diagram



160 Panoramic Sliding Door      Ratio 1: 1    Unit:mm

(Note: The upper track is embedded indoors and outdoors 69mm, the lower track is embedded indoors and outdoors 72mm, the vertical frame is embedded indoors and outdoors 46mm on the left and right.)

# TAKE COMFORT IN SUPERIOR WEATHER RESISTANCE

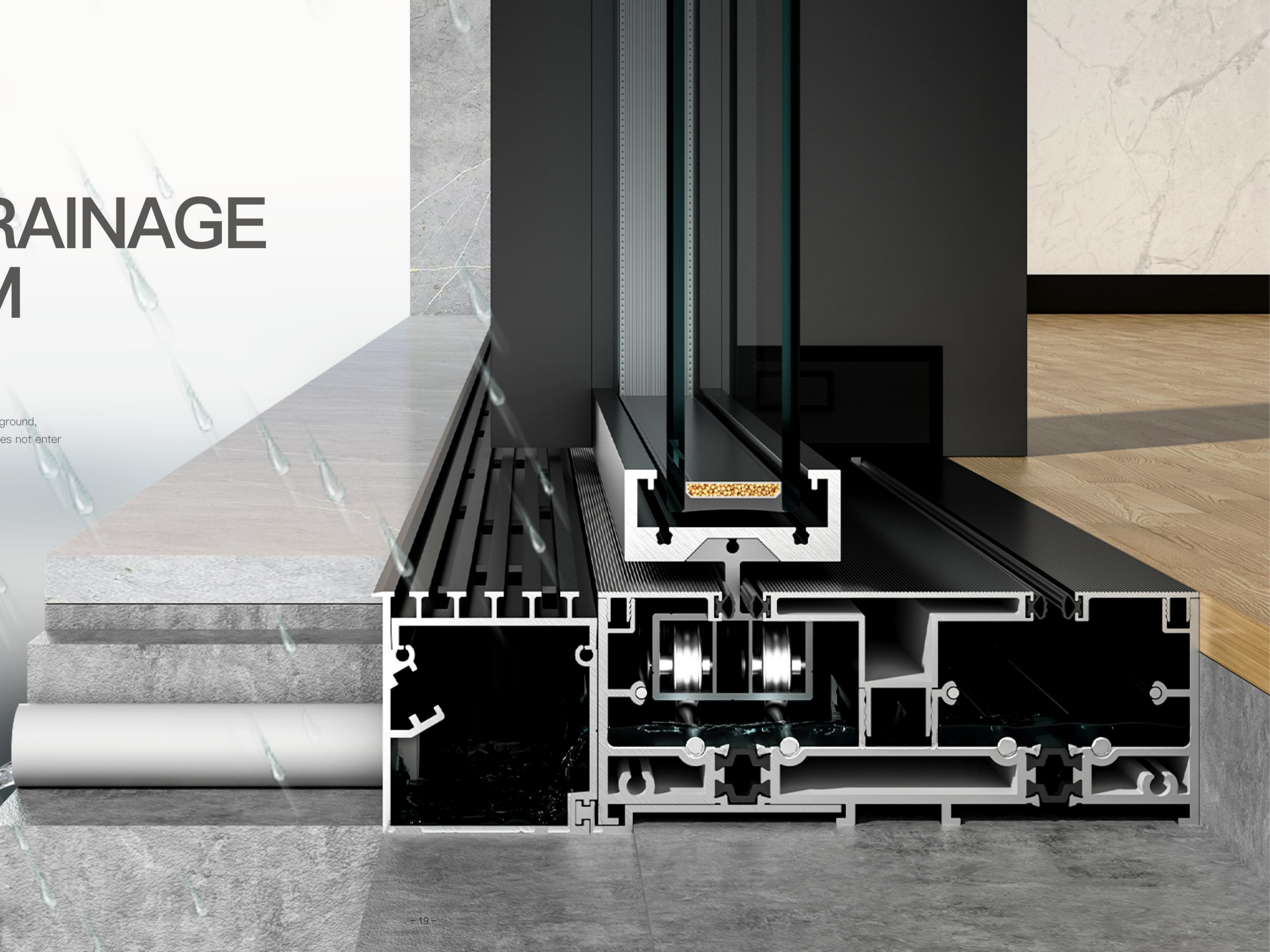
Our weather-resistant construction seals out drafts, wind and water so well, you can relax in comfort whatever the weather. We carefully select weatherstripping to match each style of window and door to make sure you enjoy superior comfort and reliability.



# NEW DRAINAGE SYSTEM

## Sink trap drainage

Sunken drainage channel, threshold flush with the ground, improving accessibility while ensuring rainwater does not enter the interior.



# LINEAR TRACK DESIGN

The linear guide technology not only improves the load-bearing capacity but also further enhances the waterproof, sealing performance and anti-falling safety performance.



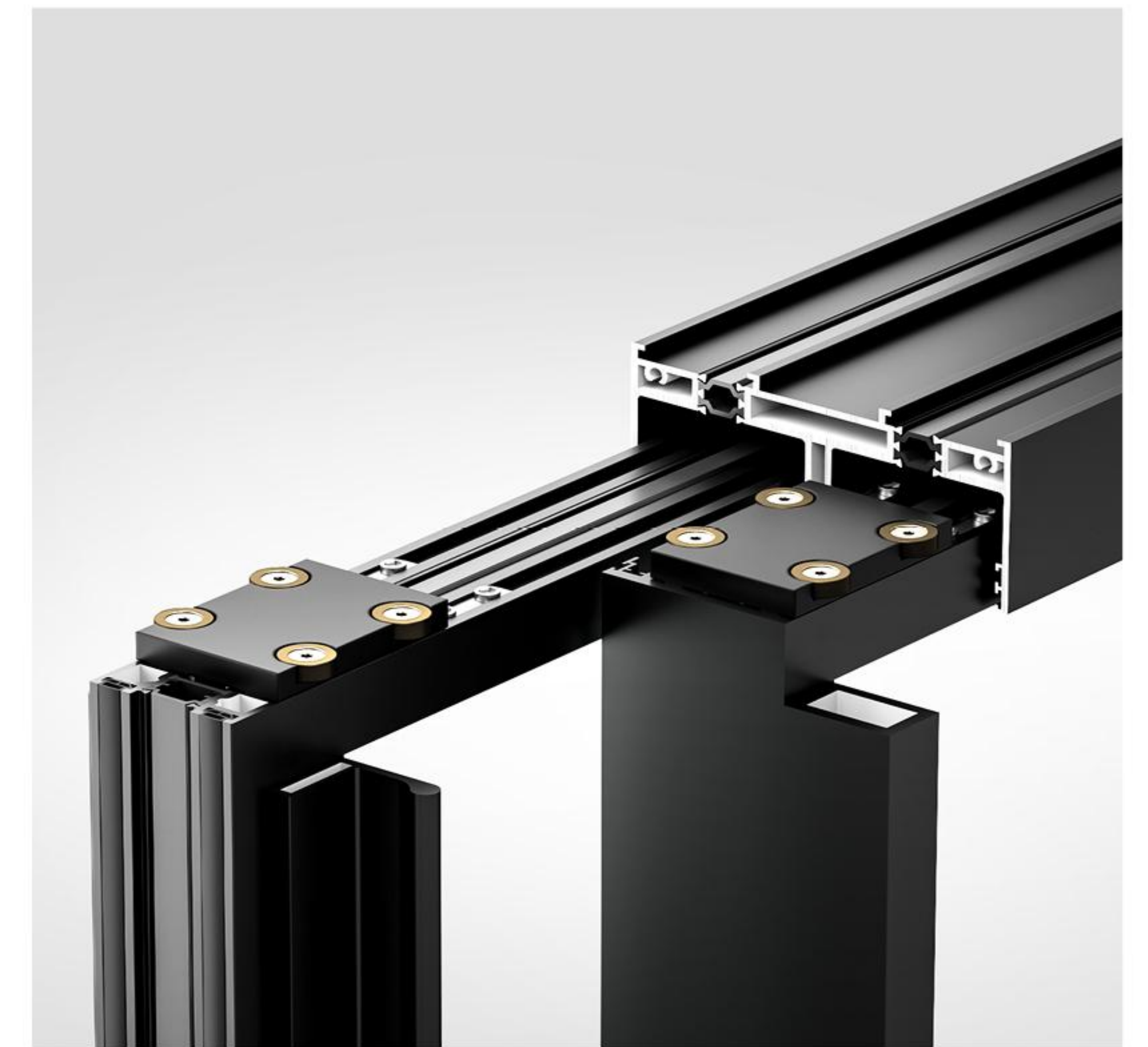
Linear track design



Linear brick laying track design



Optional high rail configuration



Four-wheel alignment design



## LINEAR BRICK LAYING TRACK DESIGN

Track pre-embedded installation, bricks laid on the track flush with the ground,  
Integrated visual effect, highlighting a beautiful and grand appearance,  
Barrier-free passage is more convenient.

# BRAND ACCESSORIES SUPPORT

Quality and safety guaranteed

Use brand accessories to give you a better experience, while the quality and safety are most effectively guaranteed.





# UNDERGROUND TRACK

Quieter and smoother

Independently developed adjustable floor guide track, which solves the problem of horizontal error in customer installation, making the door leaf push and pull more silent and smoother.



# FULL-VIEW DOOR HARDWARE SYSTEM

Smooth and silent durable and reliable.

After strict testing, the material is wear-resistant and corrosion-resistant, adapting to various use environments and meeting different safety needs.

# PANORAMIC DOOR PULLEY ASSEMBLY

Smooth and silent adaptive adjustment

Assume the sliding support function of the panoramic door, ensure the smooth and stable sliding of the door body, the self-adjusting design adapts to subtle changes of the door body, and solve the gap problem between the door body and the track.



# 150 Smart Lifting Window






## Selective color

	Titanium grey
	Space gray
	Munich
	Fair skin
	Black Onyx
	Ceramic beauty ash
	Ceramic beauty silver
	Patek Philippe

## Technical Parameter

**Section thickness:** 2.0/5.0mm  
**Border width:** 150mm  
**Handrail Visible Surface:** 50mm  
**Glass channel width:** 37mm  
**Glass configuration:** 8mm+15A+8mm Double tempered glass

## Performance index

 Water tightness 600 Pa(Class 9A)	 Acoustic Performance 30-35 db	 Air tightness Class 4
 Thermal insulation $U_w \leq 1.8-2.0$	 Wind load resistance Up to 3500 Pa	 Maximum size/weight of a single fan 4.5 m <sup>2</sup> /500kg

## Specifications

**Special large power servo motor, load-bearing column structure, 300KG large load capacity:**  
 Recommended width  $3.5m \leq w \leq 4.5m$  Extreme width  $2.5m \leq w \leq 5m$   
 Recommended height  $1.m \leq sh \leq 2.6m$   
 Extreme 450KG (Custom).

### Modular motor compartment:

No need to disassemble the frame, easy maintenance, easy installation.

### Super silent mode:

<40DB (2x400W ultra-powerful motor).

### Six layers of safety protection:

Gravity adaptive protection, balance adaptive, travel self-learning, power-off instant stop, triple protection, multi-sensor.

### 10~15 days of emergency power supply in case of power outage:

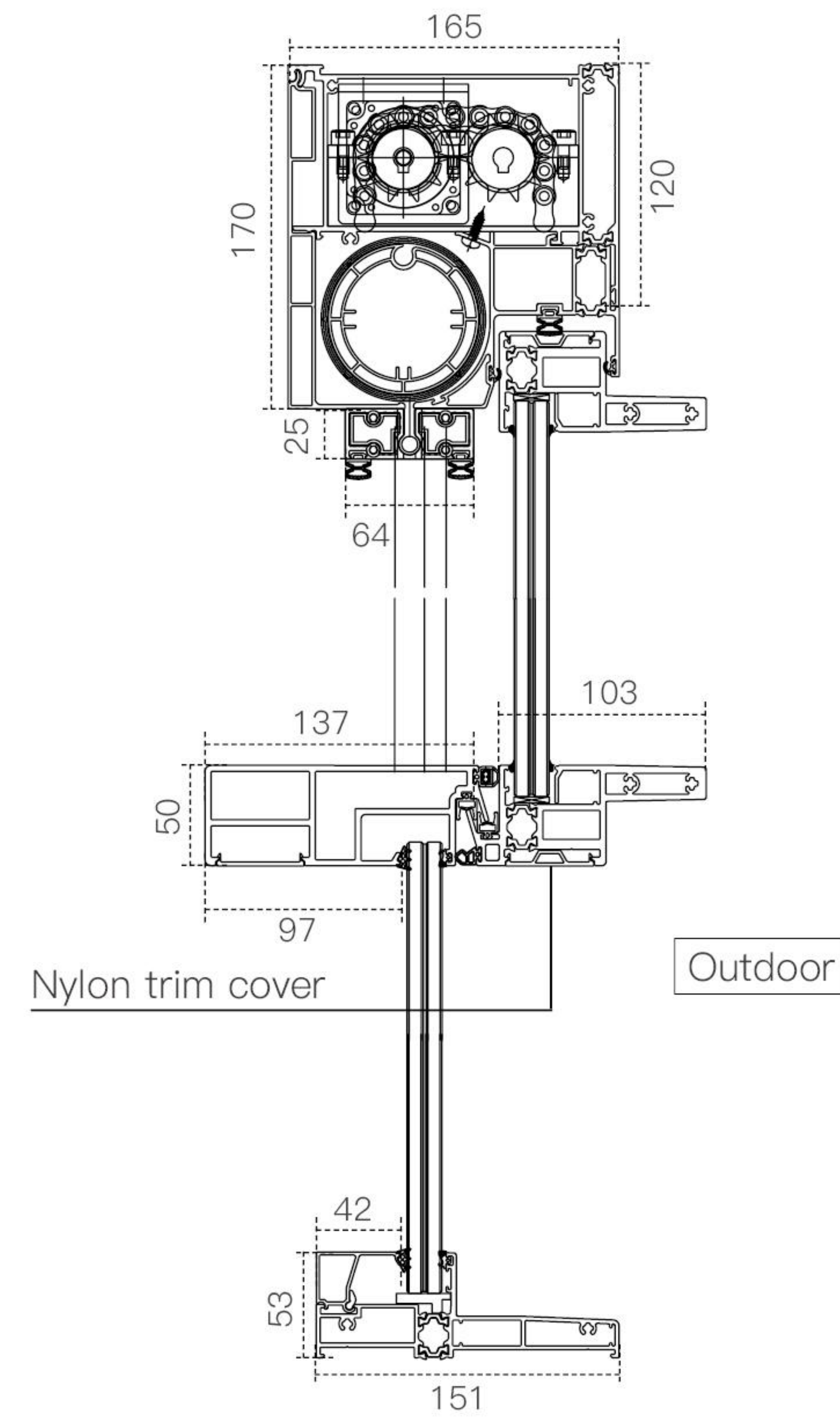
optional, dedicated safe long-term standby backup power supply

### Control mode:

Curved 3D touch panel/central control screen/smart speaker (Xiaomi AI, Xiaodu speaker, Tmall Genie, Xiaobutler, Google, Amazon)/HOPOsmart APP/wireless remote control/weather sensor

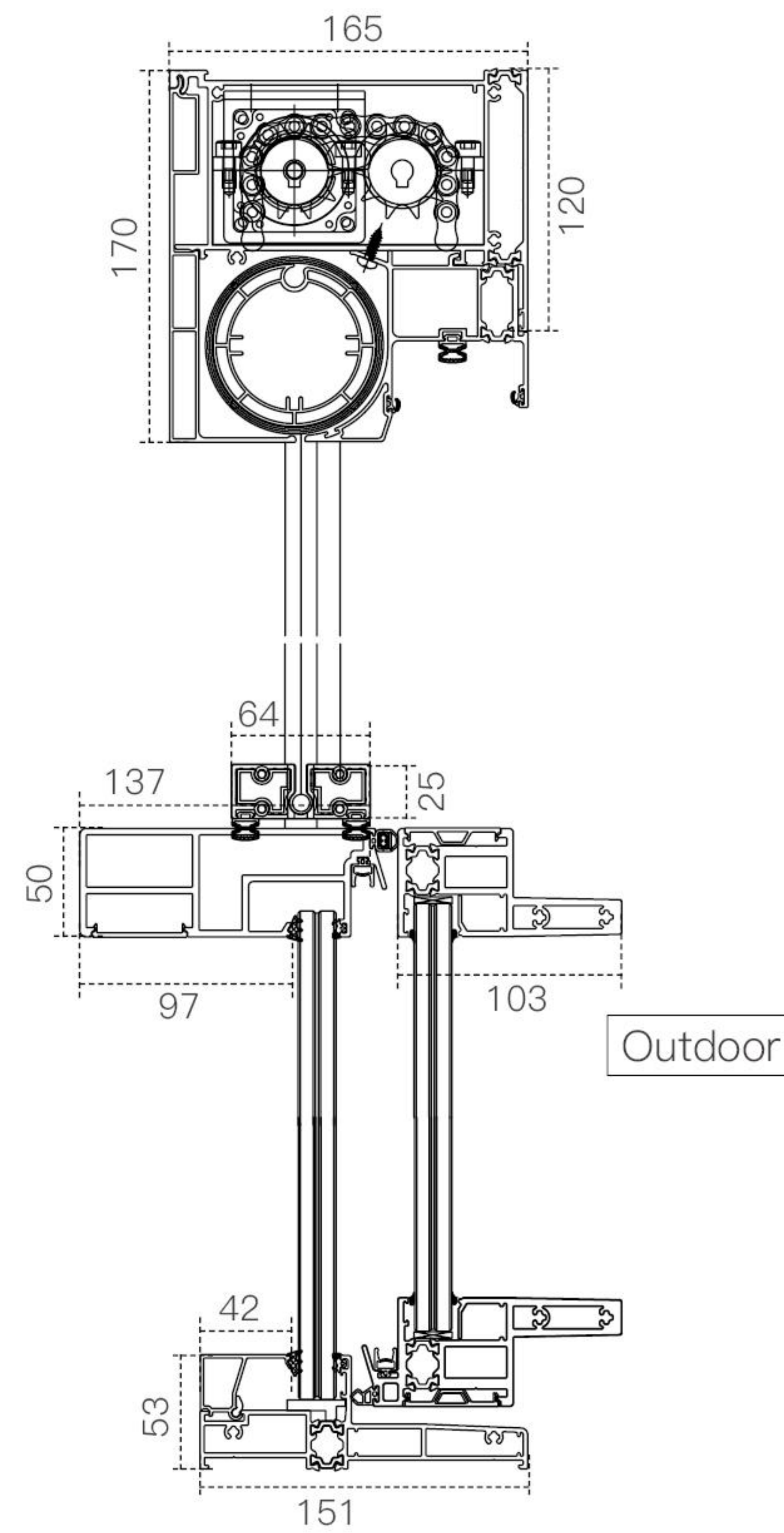
# Details Optional Solutions Two shutters with gauze

Longitudinal sectional view



A-A Section (closed state)

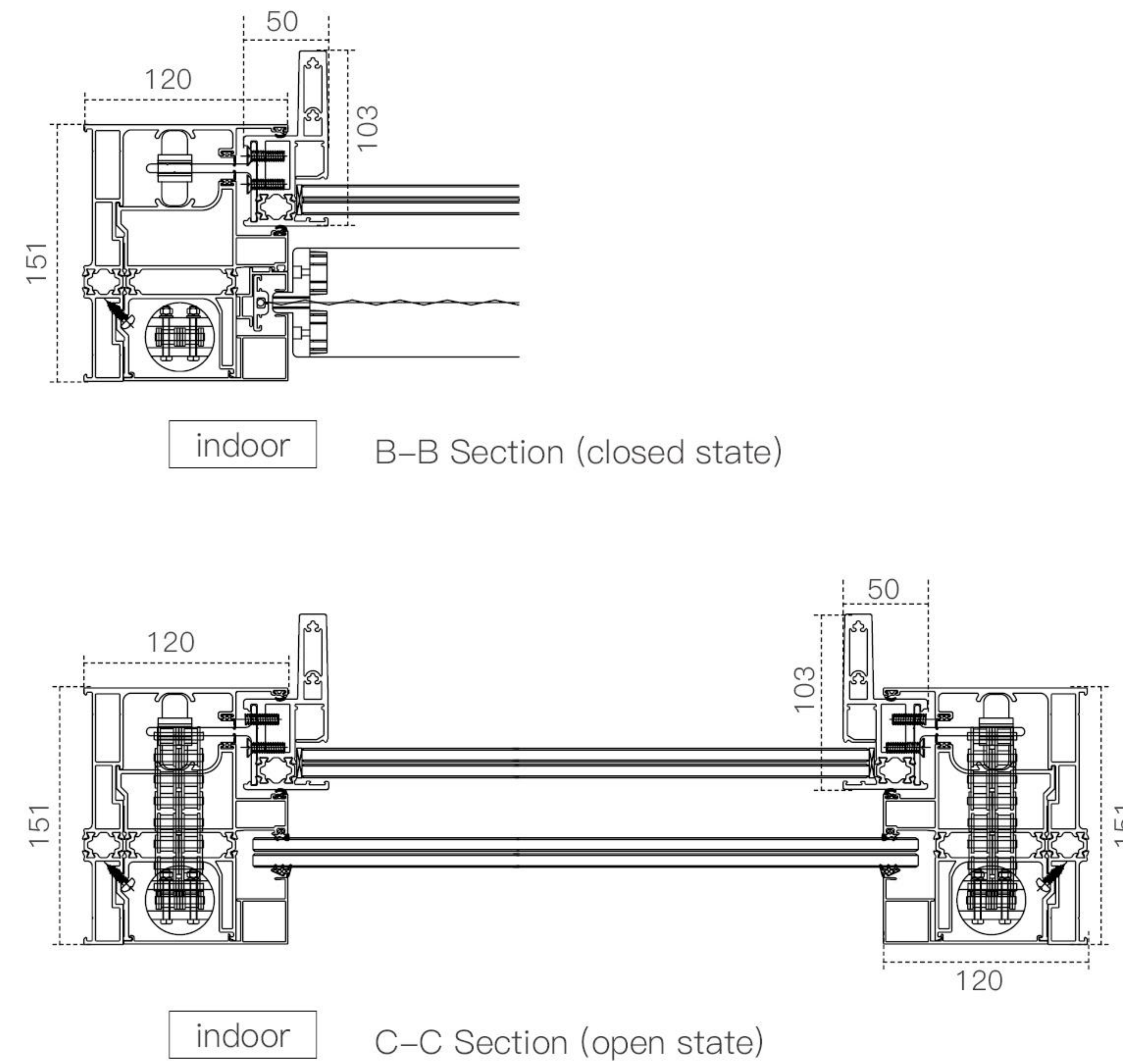
150 Smart lifting window



A-A Section (open state)

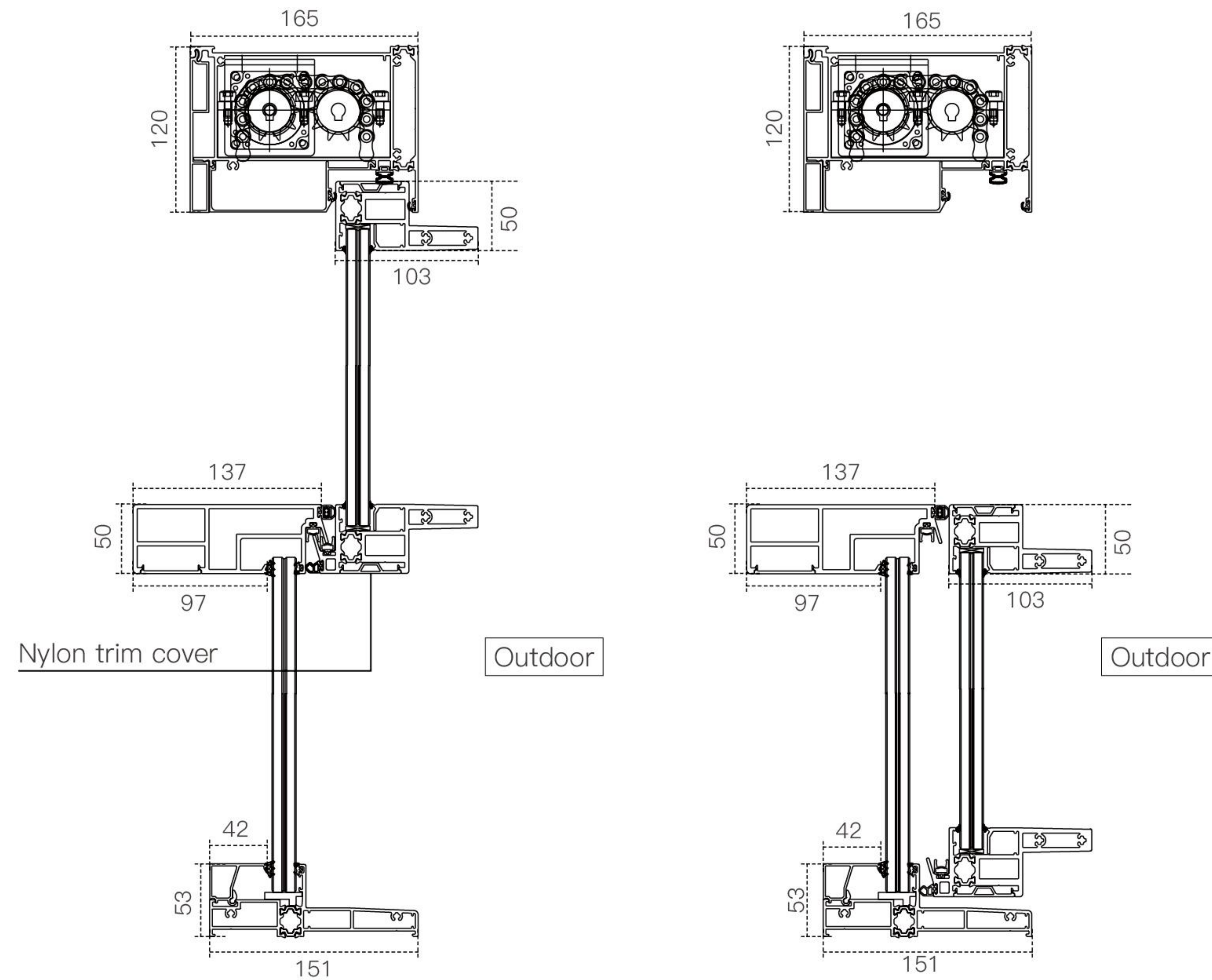
Ratio 1: 1 Unit:mm

Cross-sectional schematic diagram



# Details Optional Solutions Two doors without blinds

Longitudinal sectional view



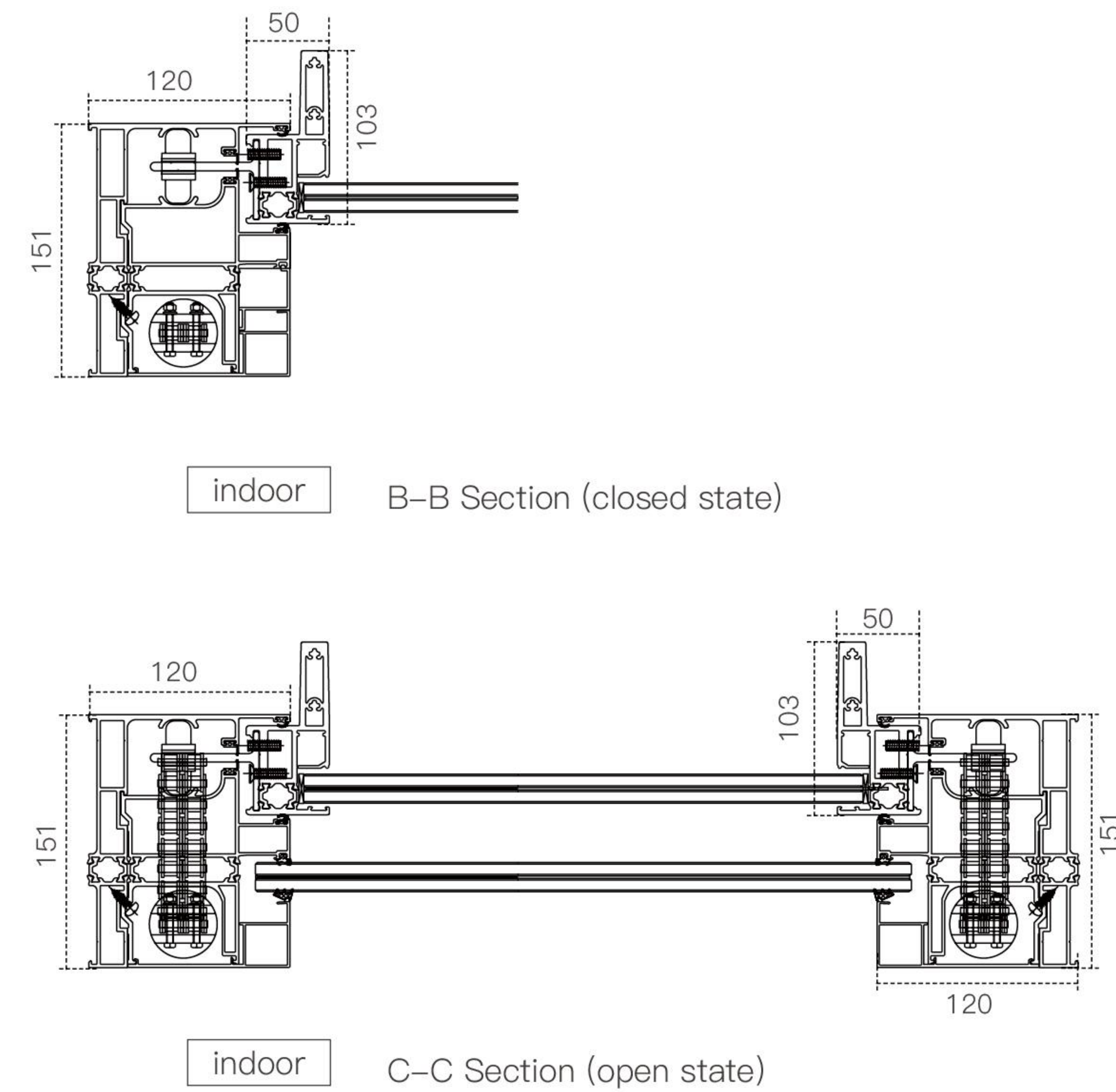
A-A Section (closed state)

A-A Section (open state)

150 Smart lifting window

Ratio 1: 1 Unit:mm

Cross-sectional schematic diagram



B-B Section (closed state)

C-C Section (open state)

# ULTRA QUIET EMERGENCY DOUBLE SPEED

## Silent mode to enjoy life

The activity fan operates at about 40DB, enjoy a quiet life

## Emergency mode to quickly close the window

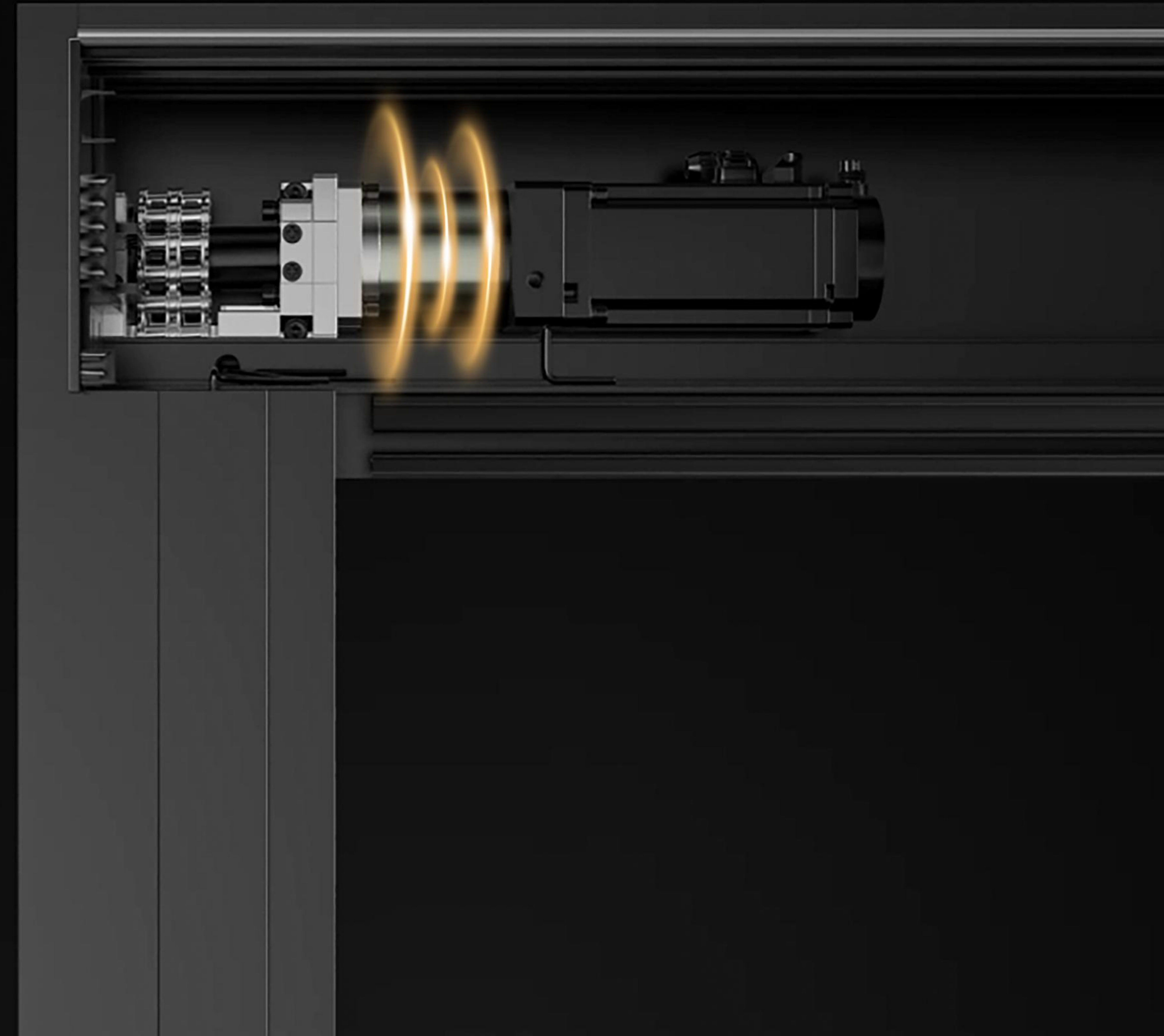
In case of rain, quickly close the window with 455, fearless of rain and wind invasion. In case of fire alarm, quickly open the window with 455, eliminate toxic smoke, and escape quickly



# PILLAR SUPPORT STRUCTURE

Extra large load-bearing

The strong structure firmly supports the large glass, with full load-bearing capacity, the large-sized glass can be installed at will, safe and steady for daily, more durable and more reassuring.





# TRIPLE PINCH GUARD

Eliminate potential safety hazards

The adhesive strip prevents pinching first; infrared anti-pinch monitoring in real time; the movable fan bears weight and prevents pinching, and then rein it; multiple lines of defense are guarded layer by layer to eliminate potential safety hazards, and it is more reassuring to use at home.

# INTELLIGENT AI VOICE INTERACTION

HOPOsmart central control screen, smart speaker  
Enables screen interaction and voice control

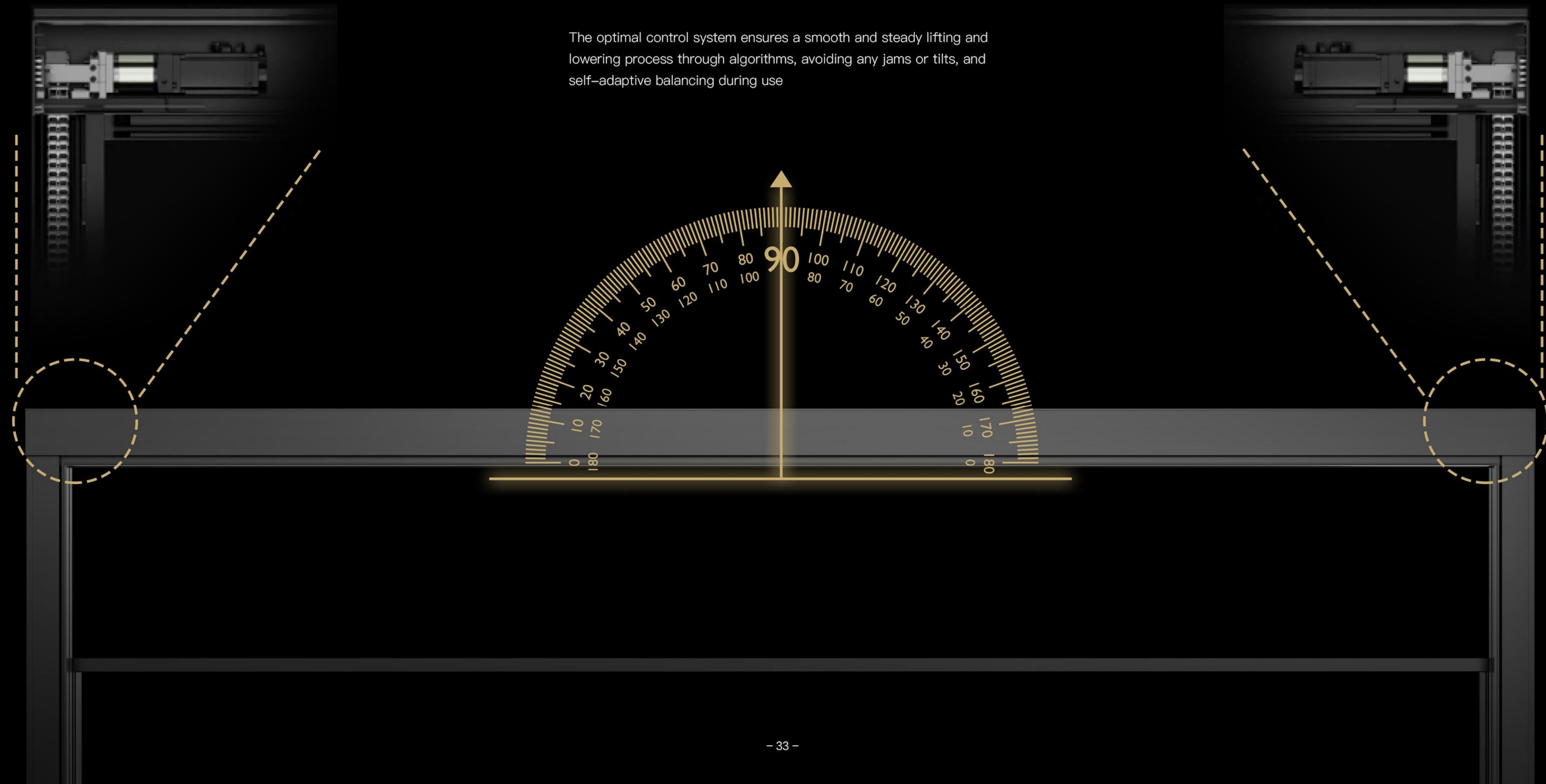
Hello Xiaobo, guests have arrived

Hello Xiaobo, silent operation mode

# TOP-LEVEL BALANCING SYSTEM

Smooth up and down without tilting

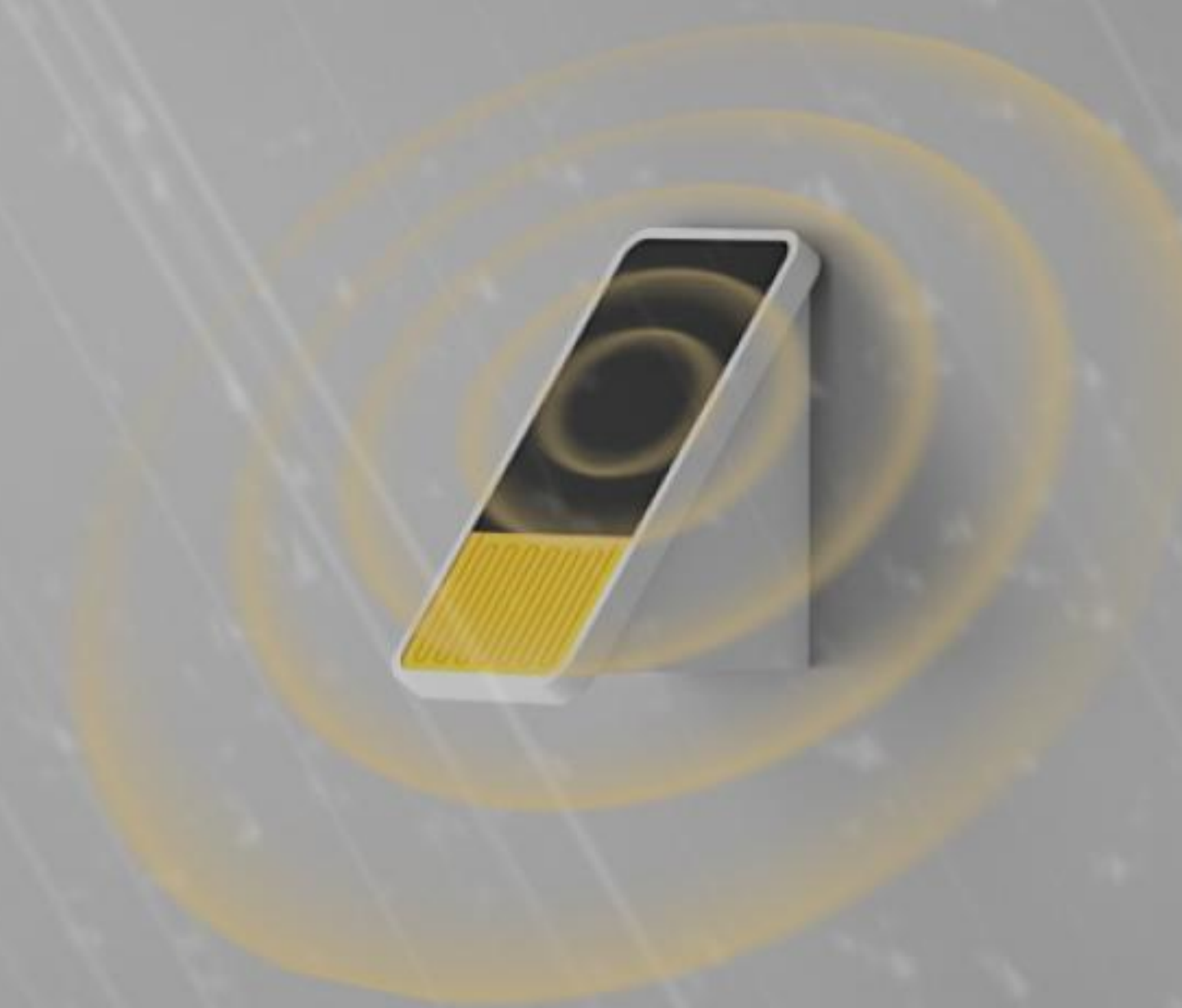
The optimal control system ensures a smooth and steady lifting and lowering process through algorithms, avoiding any jams or tilts, and self-adaptive balancing during use



# SMART START AND STOP OF WEATHER WARNING

Guard the climate of the home

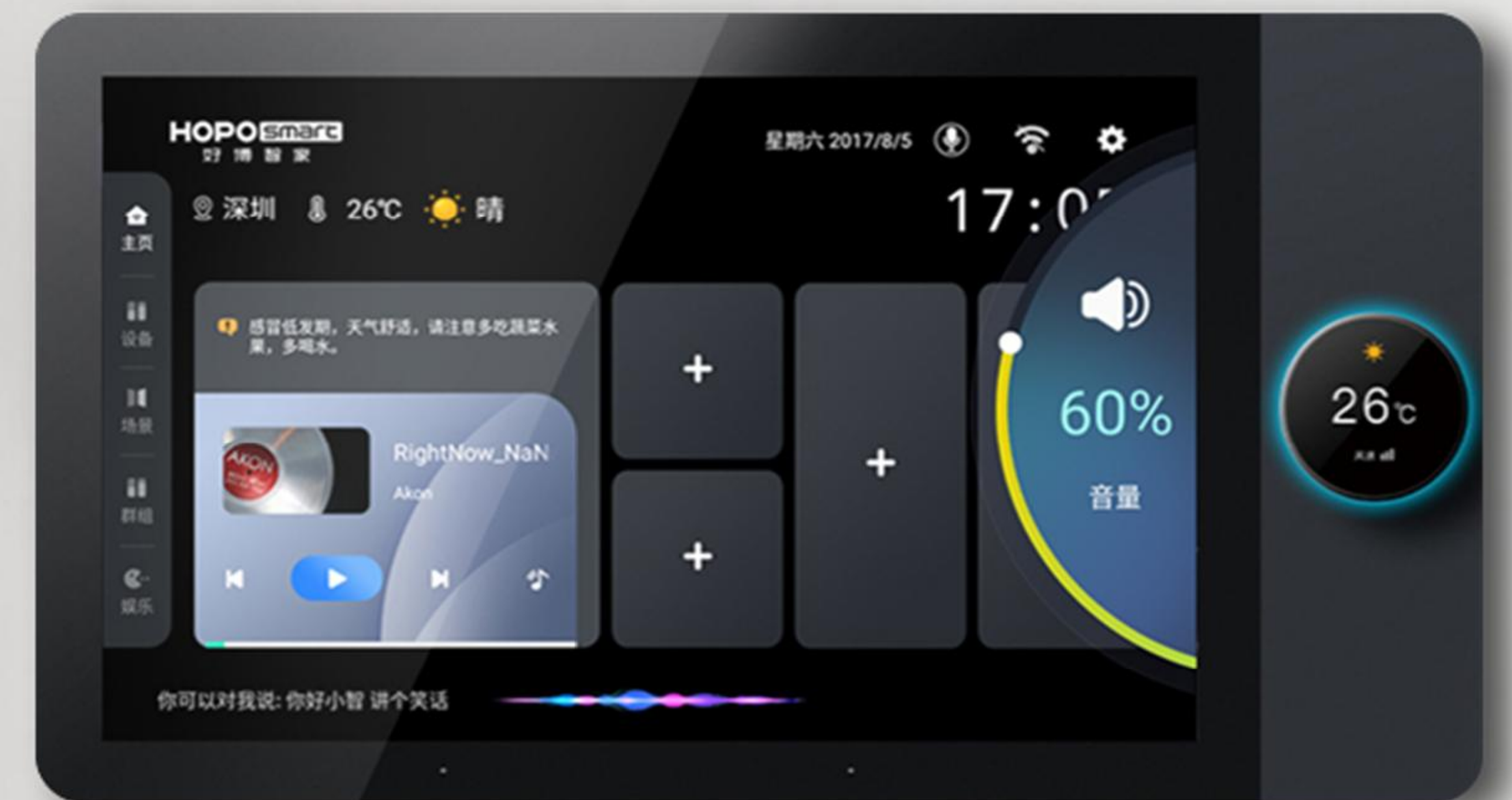
Connect to weather forecast apps such as Moji Weather, and also optional wind and rain sensors, solar rain sensors, which will prompt you in case of wind and, and automatically close the windows in advance.



# SMART HOME MASTER CONTROL

Customized life scene

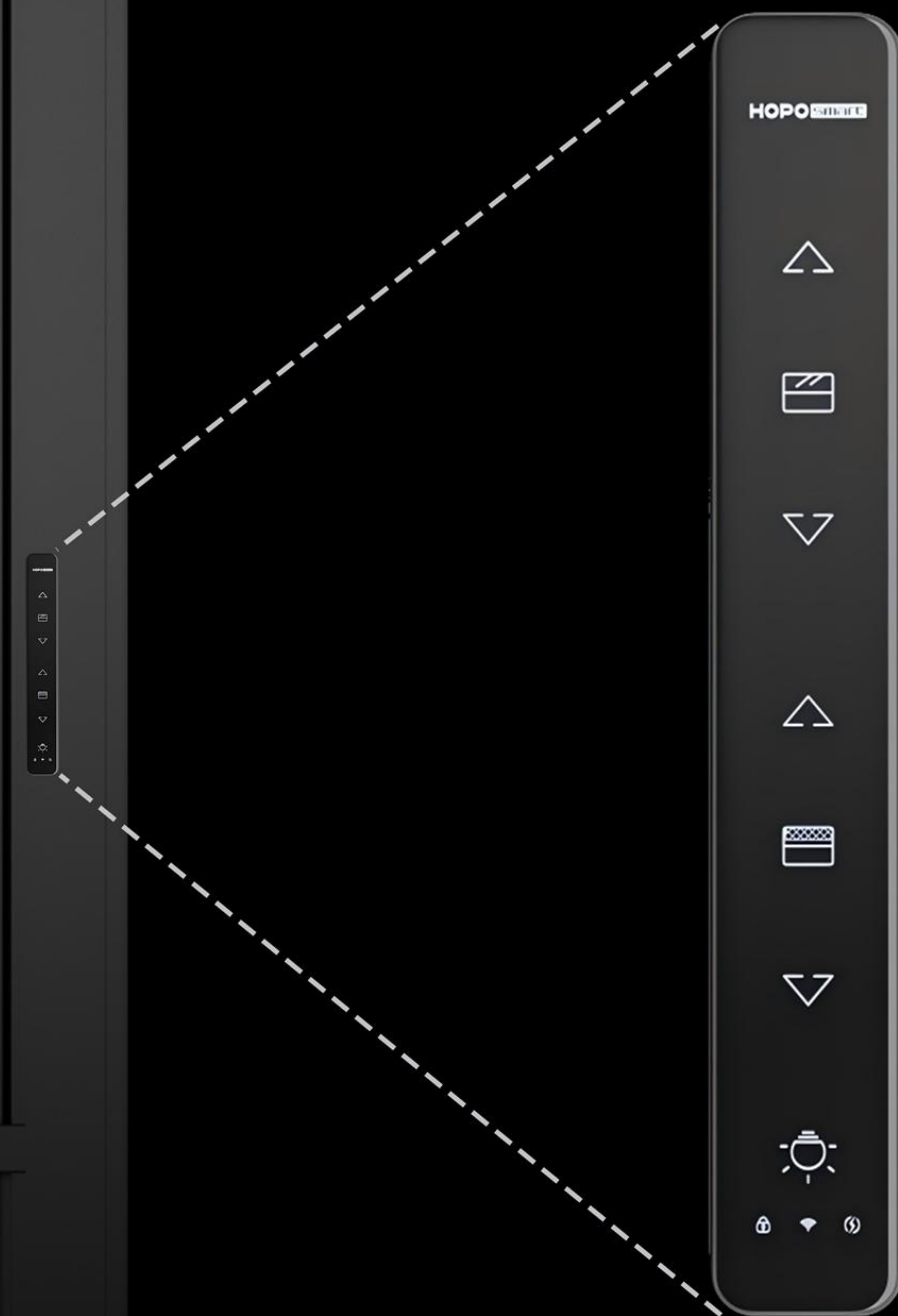
HOPOsmart 8 inch central control screen one-key linkage, minimalist interaction, open a new paradigm of quality life.



# 3D GLASS CONTROL PANEL

Tap to turn on

Full-screen ultra-sensitive touch control, breathing light to assist natural interaction, screen off, exquisite and advanced.



# SMART ONE-KEY CONTROL

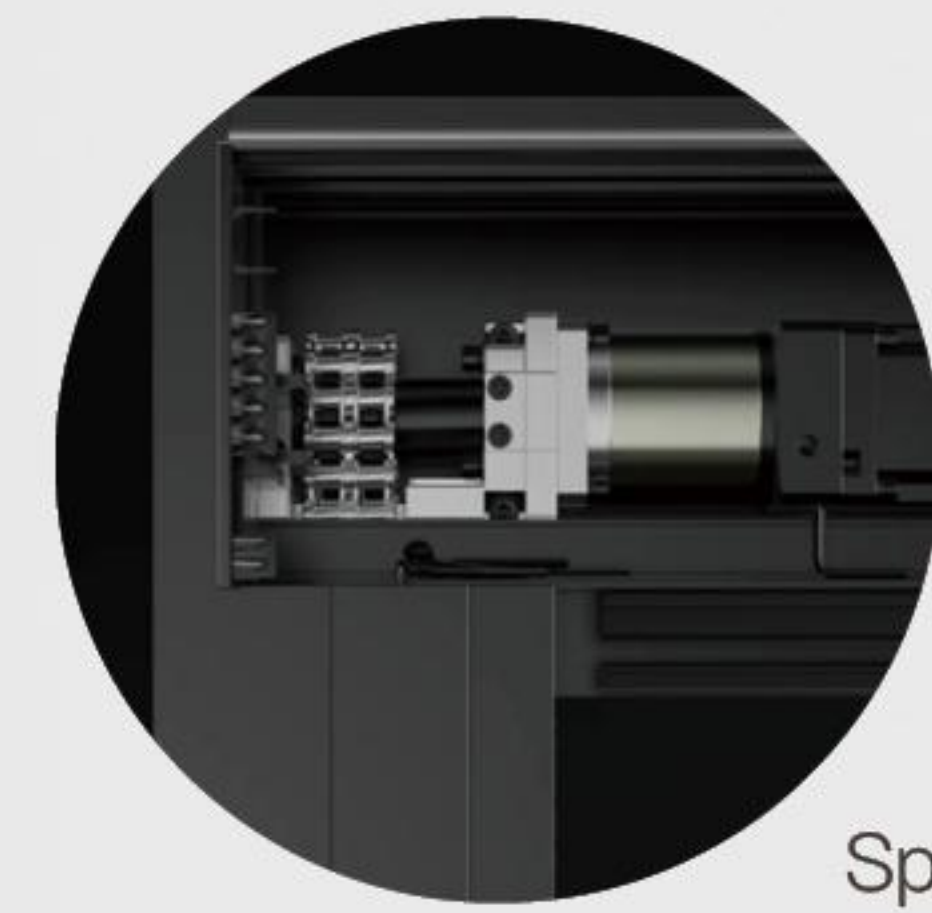
Easier to open and close

The up and down operation is convenient through the remote control, mobile phone APP or voice assistant (such as Xiao Ai), and the up and down is more flexible and worry-free.



# SIX LAYERS OF ULTIMATE SECURITY PROTECTION

Structure, soft and hardware combined full system protection mechanism.



Special servo motor



8 inch central control screen

Balanced sensing

## Triple security protection

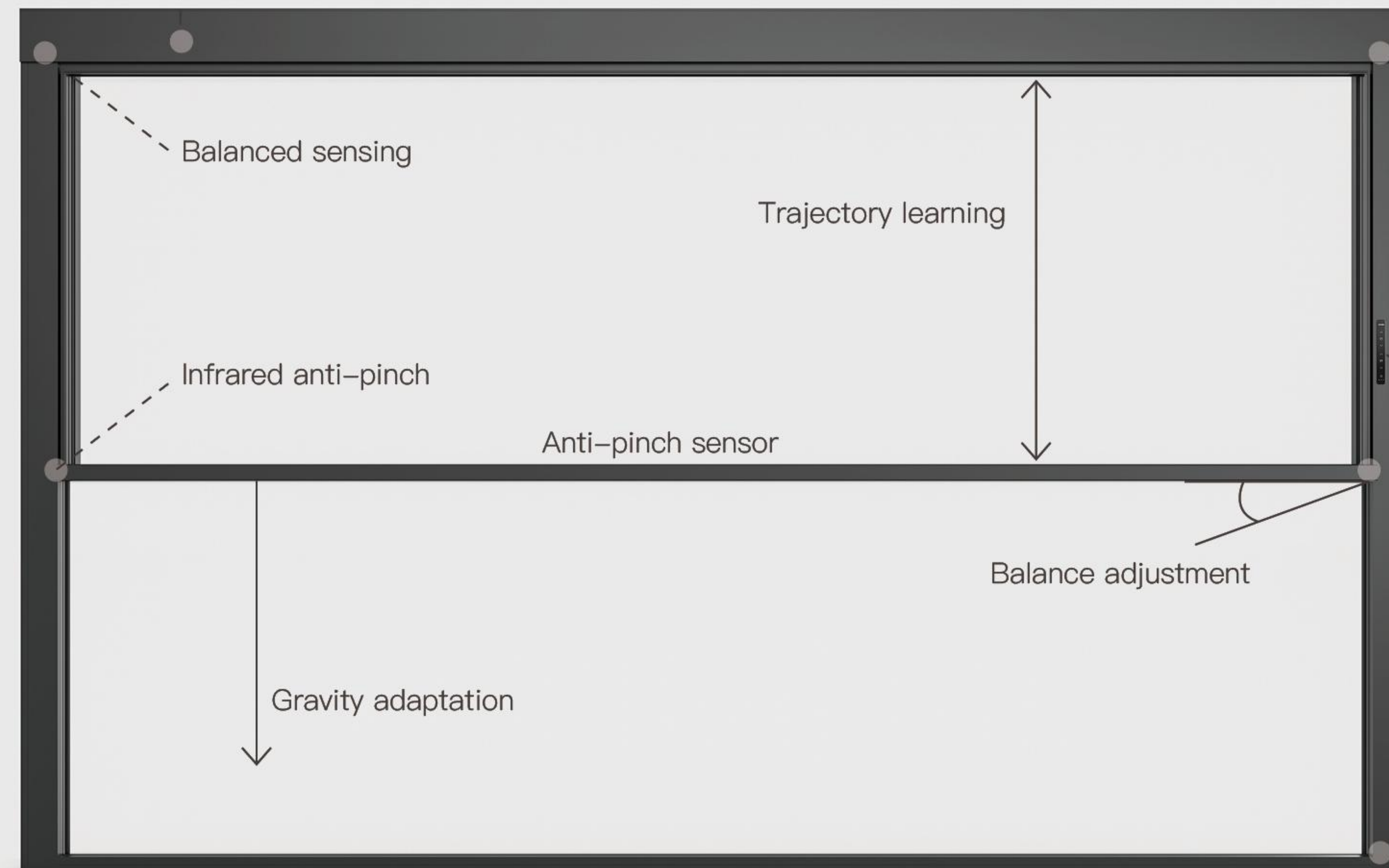
- Infrared sensing
- Pressure sensing of adhesive tape
- Load sensing of movable fan bracket

## Gravity Adaptation

Intelligent detection of the activity fan's own weight  
Motor automatically adjusts to adapt

## Power-off transient

Automatic braking in the event of power failure  
Physical security protection



Position sensing

## Balanced Adaptive

High-precision motor servo encoder position detection, window sash lifting two ends of balance adaptive

## Itinerary self-learning

Window sash opening and closing positioning intelligent learning; multi-dimensional redundant control, rejecting sensor dependency.



control panel

## Multi-limit position sensor

Multi-sensor integrated positioning, automatic balancing adjustment  
More accurate, multiple calibration protection  
more worry-free

# 130 Heavy-duty Sliding Door







## Selective color

	Titanium grey
	Space gray
	Munich
	Fair skin
	Black Onyx
	Ceramic beauty ash
	Ceramic beauty silver
	Patek Philippe

## Technical Parameter

**Section thickness:** 2.0/2.2mm  
**Border width:** 130mm  
**Narrowest visible surface:** 31mm  
**Glass channel width:** 41mm  
**Glass configuration:** 5mm+22A+5mm Double tempered glass

## Performance index

 Water tightness 300 Pa(Class 7A)	 Acoustic Performance 35-40 db	 Air tightness Class 3
 Thermal insulation $U_w \leq 1.8-2.0$	 Wind load resistance Up to 2400 Pa	 Maximum size/weight of a single fan 7 m <sup>2</sup> /350kg

## Product introduction

### Full hidden design of lattice fan:

The curved business surface is only 30mm, experience the beauty of a wide field of view.

### Patented design of upper and lower tracks:

Lift the track, and it's more convenient to prevent dust and drainage.

### Optional pre-embedded floor drain drainage track system:

Smooth and beautiful unimpeded.

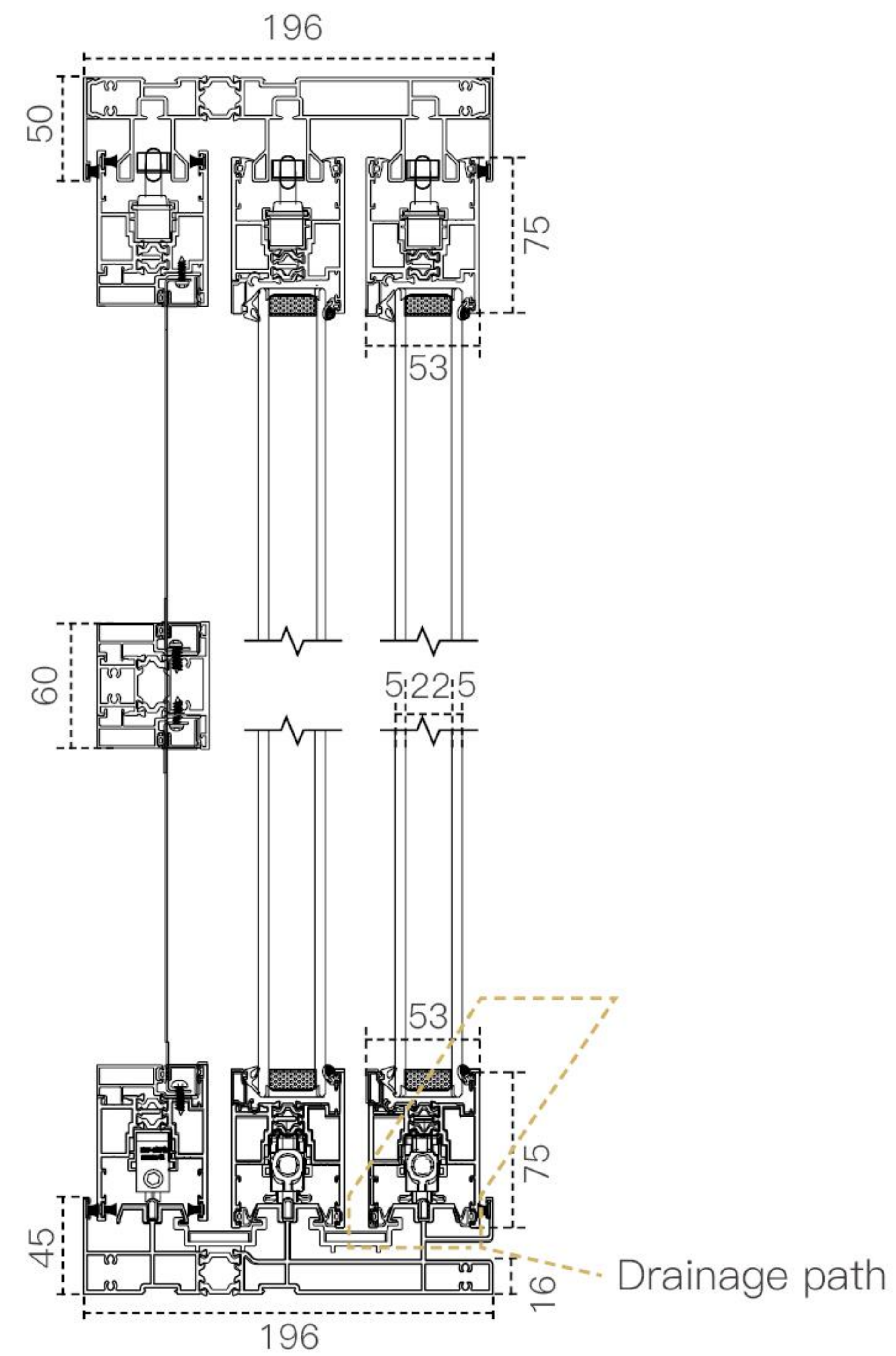
### Multi-seal design:

Really achieve systematic production, layer by layer sealing, greatly improve the overall sound insulation and thermal insulation performance.

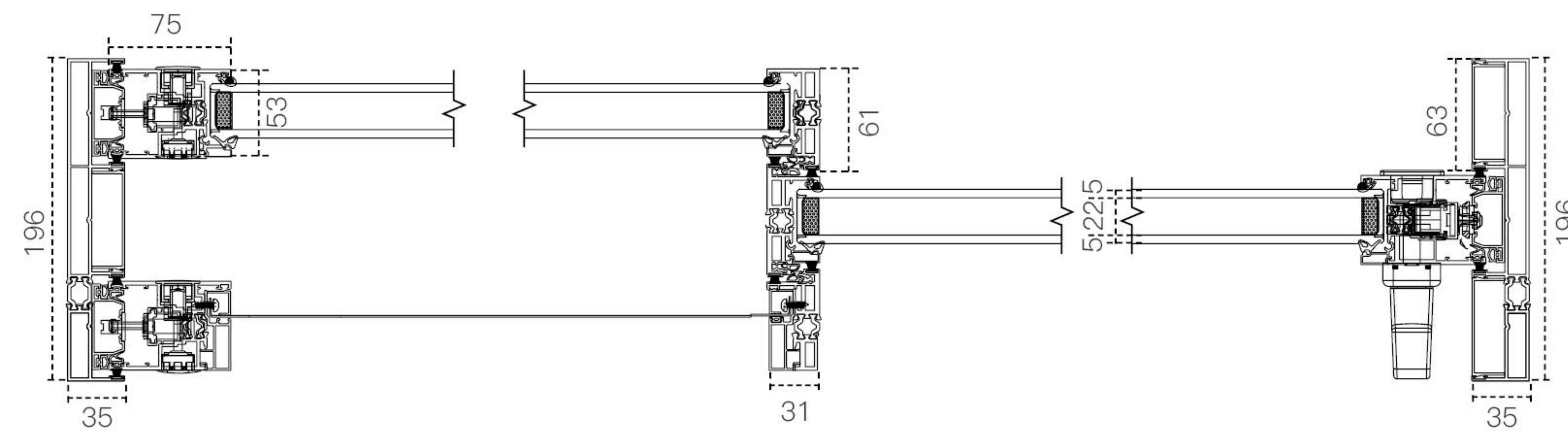


# Details Optional Solutions Three-track belt lifting

Longitudinal sectional view



Cross-sectional schematic diagram

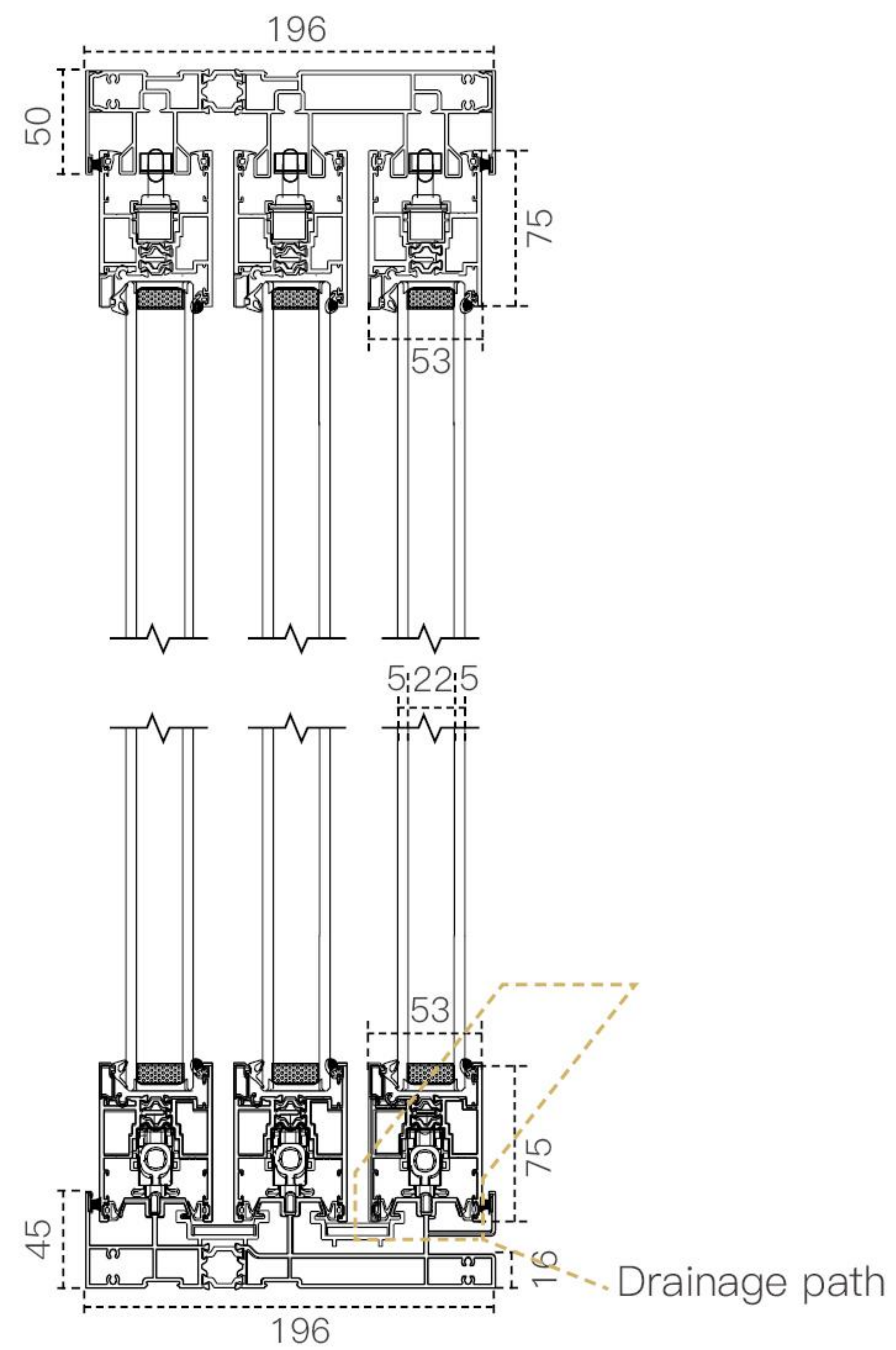


130 Heavy-duty Sliding Door

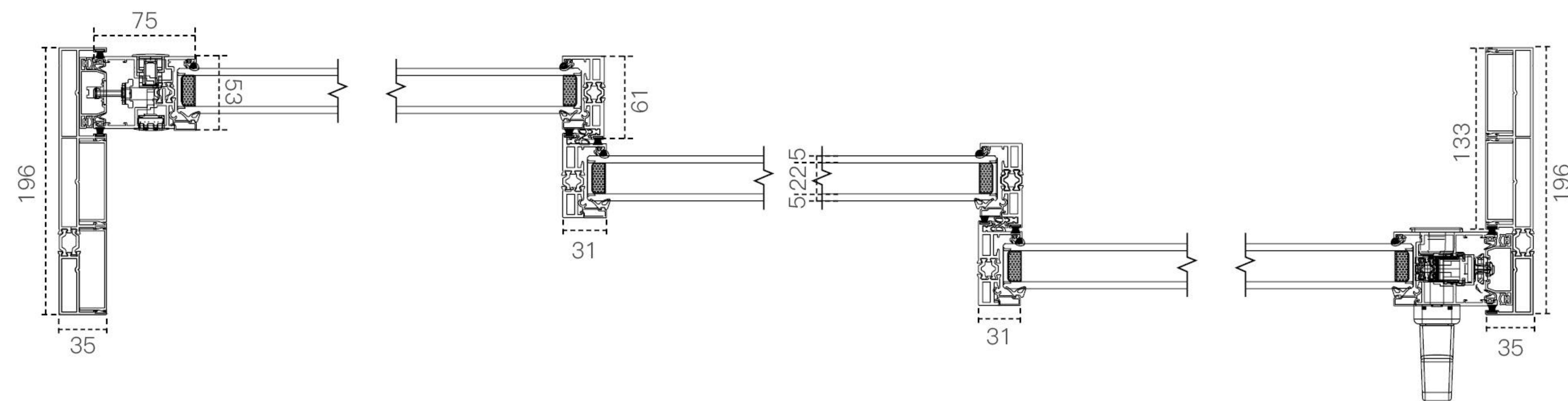
Ratio 1: 1 Unit:mm

# Details Optional Solutions Three-track belt lifting

Longitudinal sectional view



Cross-sectional schematic diagram



130 Heavy-duty Sliding Door

Ratio 1 : 1 Unit:mm



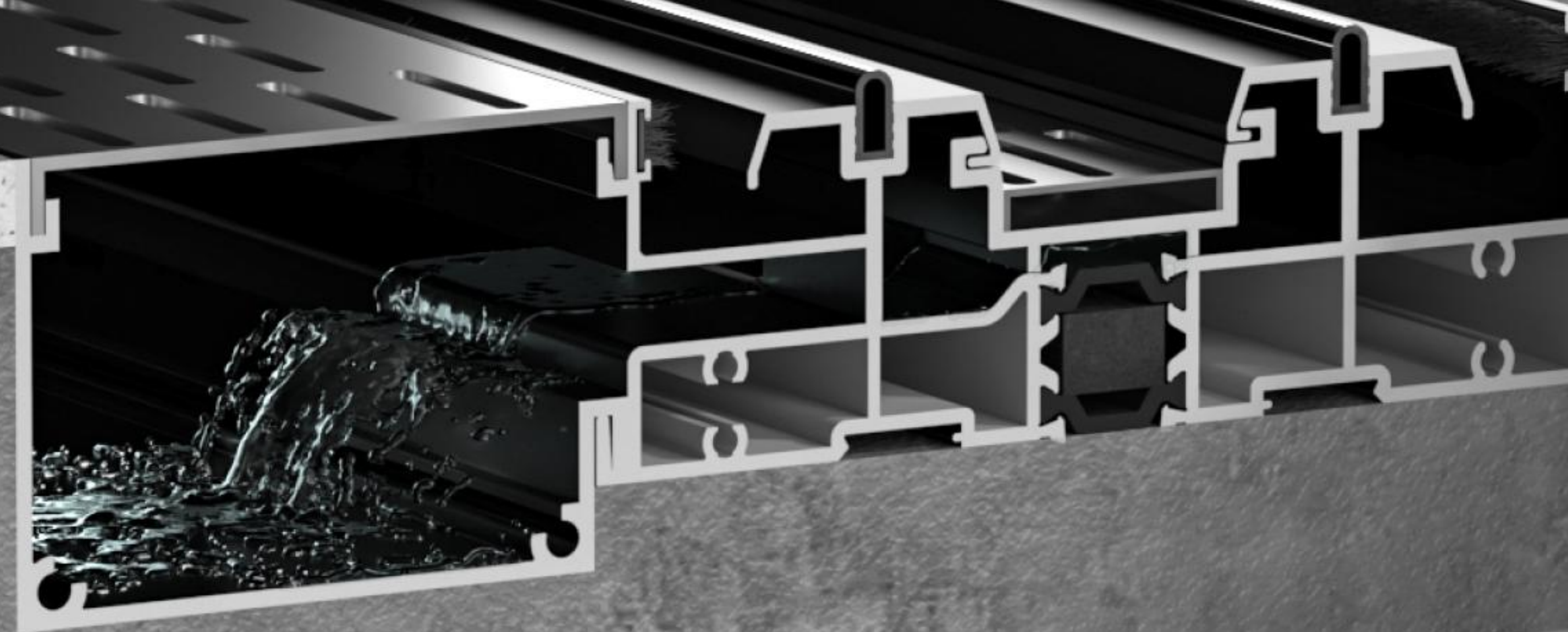
## PATENTED DESIGN OF UPPER AND LOWER TRACKS

Elevate the track structure, worry-free dust and water drainage, enhance stability, smooth push and pull, and enjoy a large field of view, simple and atmospheric.

# OPTIONAL PRECAST LOWER TRACK

Smooth and beautiful unimpeded

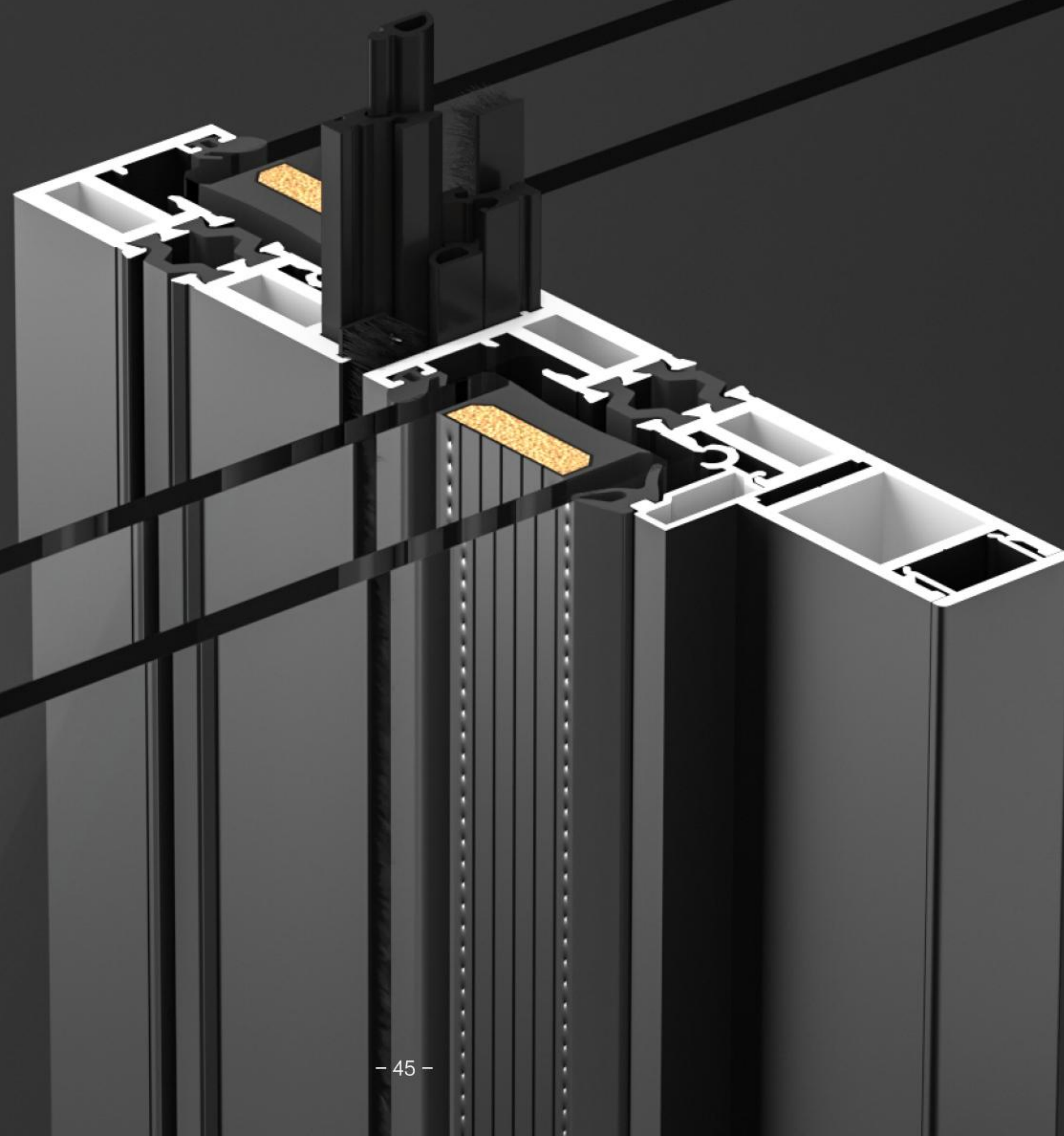
Optional pre-embedded floor drain drainage track system, flat and beautiful, smooth passage without obstacles, with multi-channel sealing, perfectly enhance the door's sound and thermal insulation performance.



# SEALED INSULATION

Add to the pressure in layers

Centered on excellent sealing performance, the system process has been comprehensively upgraded, with six seals providing layer-by-layer protection, and better sealing and insulation.




## WIDE AND NARROW COMBINATION

Matching imported hardware, you can choose narrow side reinforcement pull handle, to achieve wide and narrow matching, a variety of choices.



# 73/65 Folding Door System







## Selective color

	Titanium grey
	Space gray
	Munich
	Fair skin
	Black Onyx
	Ceramic beauty ash
	Ceramic beauty silver
	Patek Philippe

## Technical Parameter

**Section thickness:** 2.0mm  
**Border width:** 73mm  
**Glass channel width:** 32mm  
**Glass configuration:** 5mm+20A+5mm Double tempered glass

## Performance index

 Water tightness 300 Pa(Class 7A)	 Acoustic Performance 35-40 db	 Air tightness Class 4
 Thermal insulation $U_w \leq 1.6-1.8$	 Wind load resistance Up to 2400 Pa	 Maximum size/weight of a single fan 3 m <sup>2</sup> /120kg

## Product introduction

### Three sealing gaskets:

Designed with three sealing strips, simultaneously working with the track seal, it improves the thermal performance and sealing of the entire door.

### Anti pinch is safer:

Install car-grade composite foam strip in the gap between the door leaf and the middle column.

### Automatic rebound pin design:

Innovative simplified design, abandoning cumbersome structure, using the inner cavity of the profile, convenient for the manufacture and installation of the pipeline.

### Hidden hanging wheel:

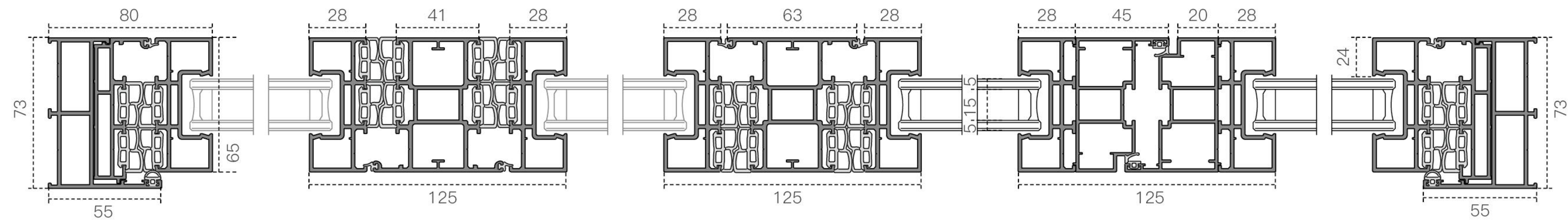
Innovation has subverted the traditional design of the pulley screw connector, which is simple, safe, efficient and stable.

### High performance load-bearing pulley system:

Apply the structure of train wheels to the pulley system of the folding door and add brush cleaning function to enhance the smoothness of folding and sliding

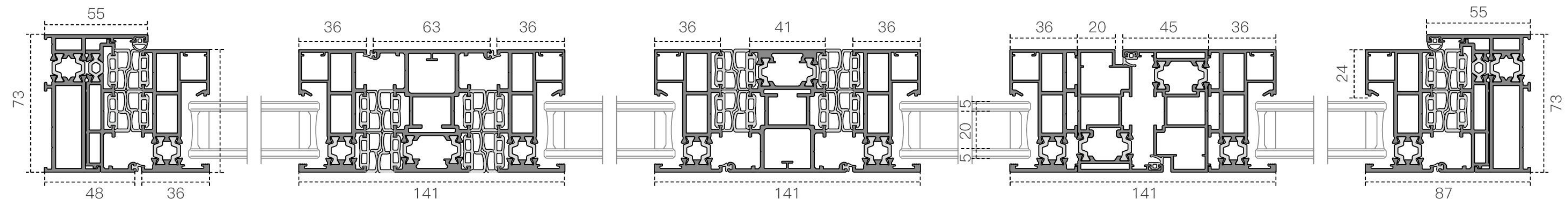
# Design Proposal **Hidden hinges**

Hidden Hinge(Non-Broken Bridge Scheme)



73/65 Folding Door System Ratio 1: 1 Unit:mm

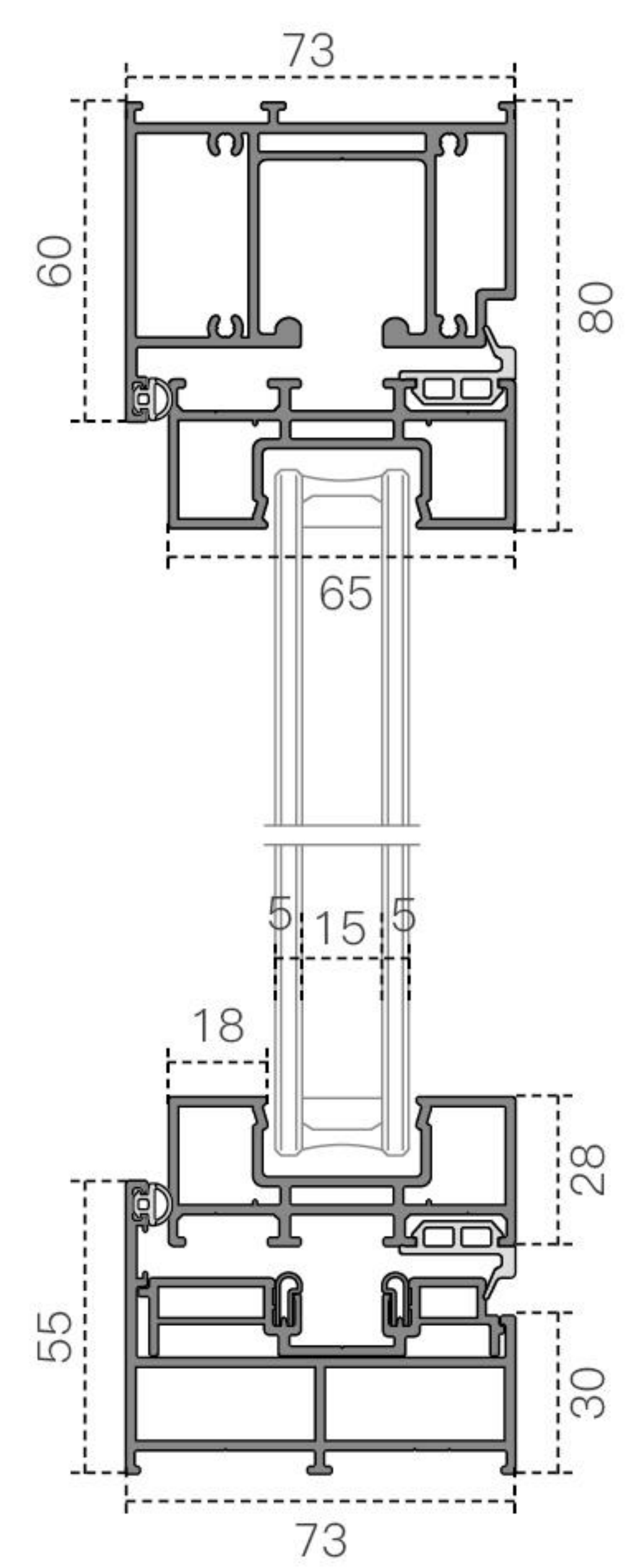
Hidden Hinge(Broken Bridge Scheme)



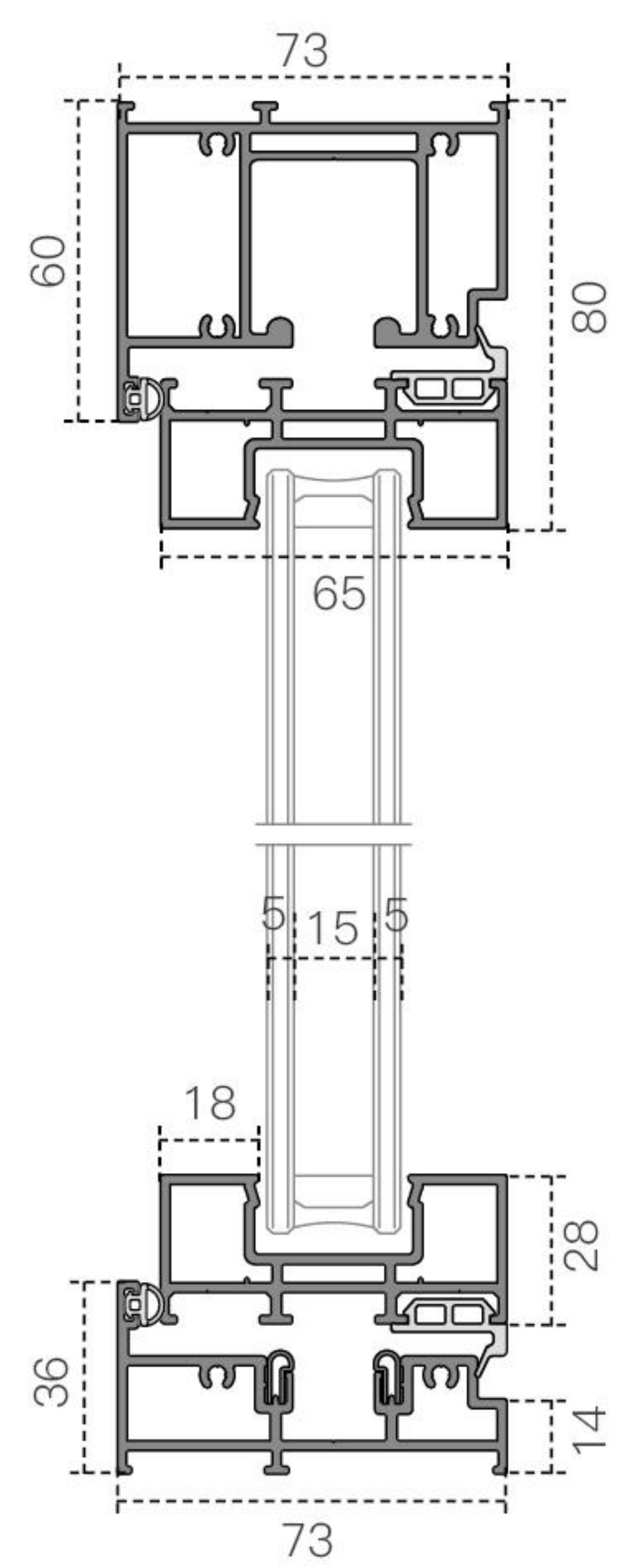
73/65 Folding Door System Ratio 1: 1 Unit:mm

# Design Proposal **Hidden hinges**

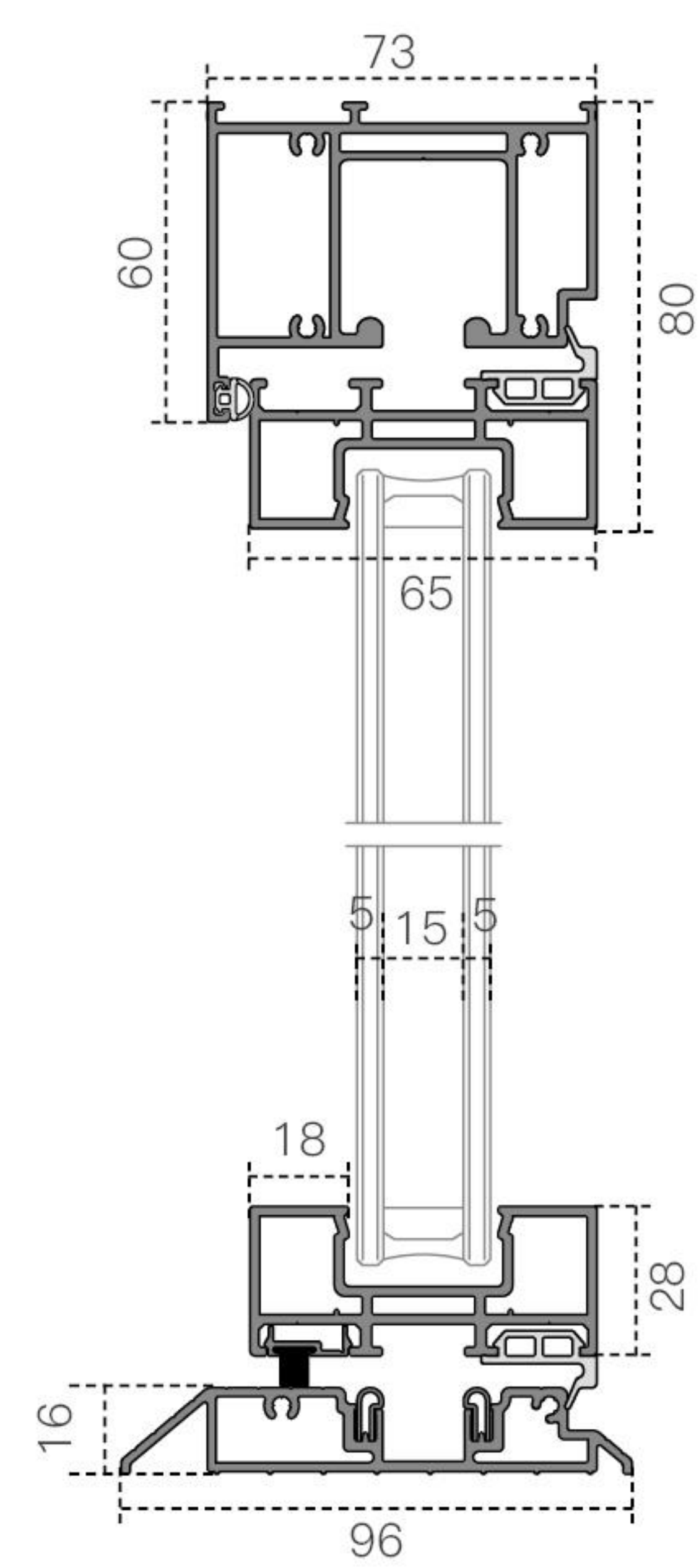
Hidden Hinge(Track Plan)



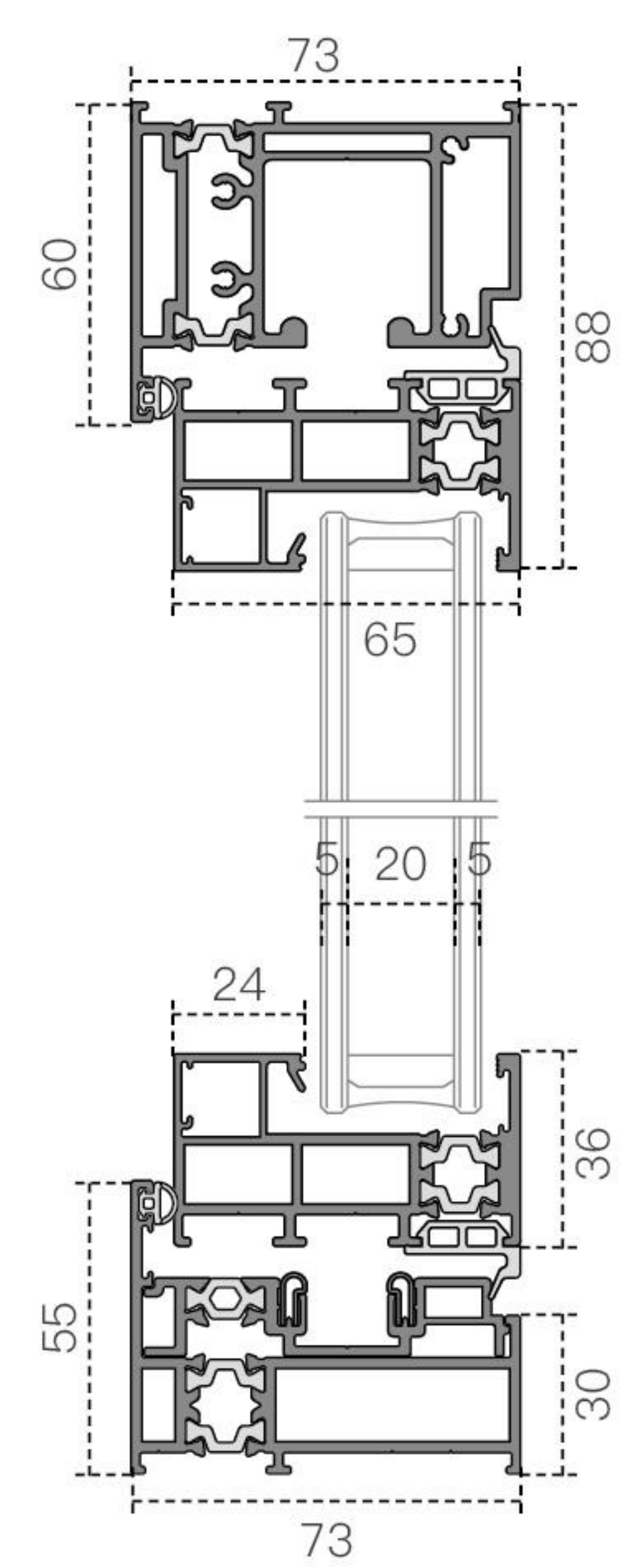
High Orbit Scheme



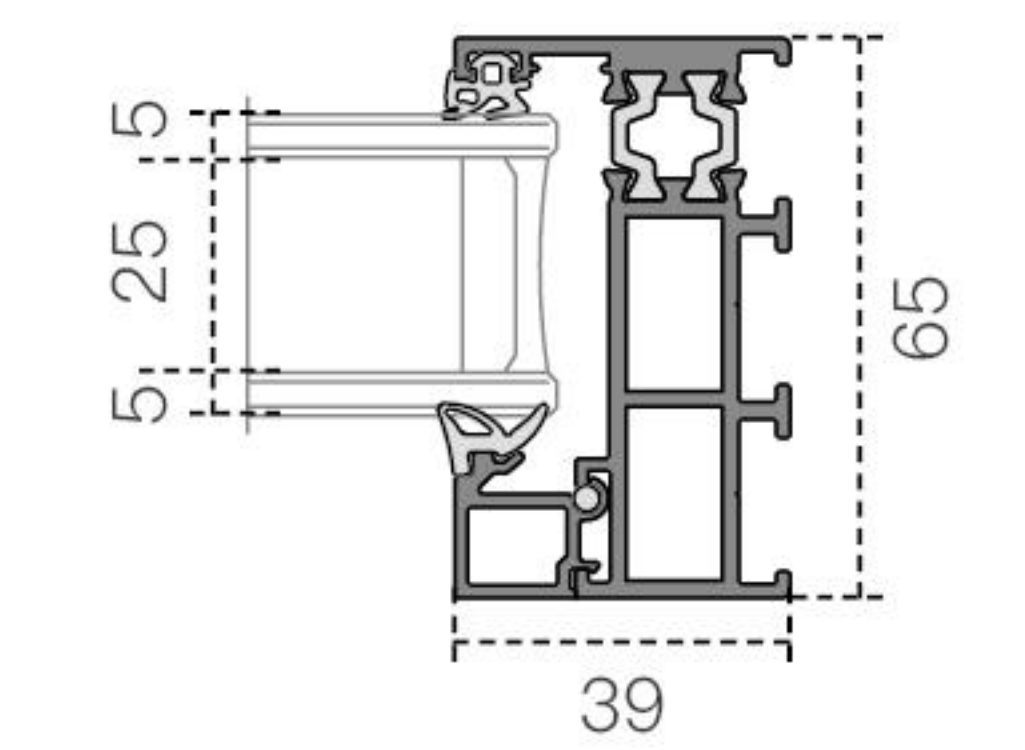
Low Orbit Scheme



Accessible Orbit Scheme



High Orbit Scheme (Broken Bridge)

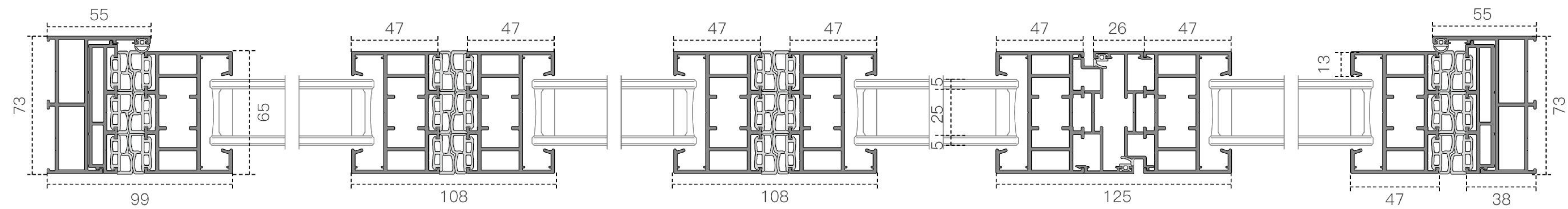


Line Pressing Scheme (Broken Bridge)

73/65 Folding Door System Ratio 1: 1 Unit:mm

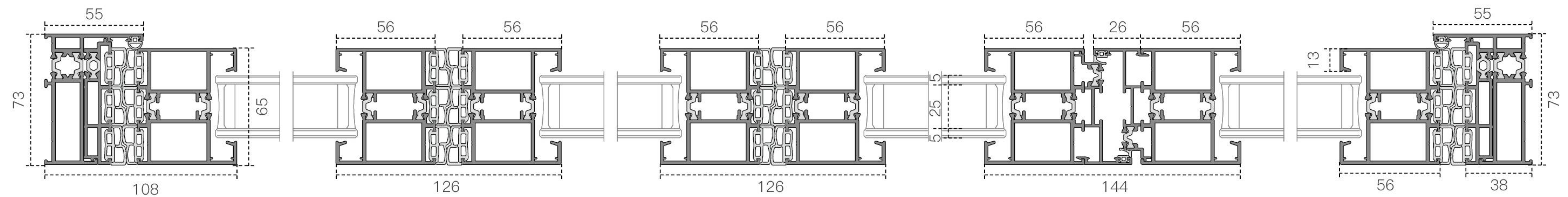
# Design Proposal Exposed hinges

Exposed Hinge(Non-Broken Bridge Scheme)



73/65 Folding Door System Ratio 1: 1 Unit:mm

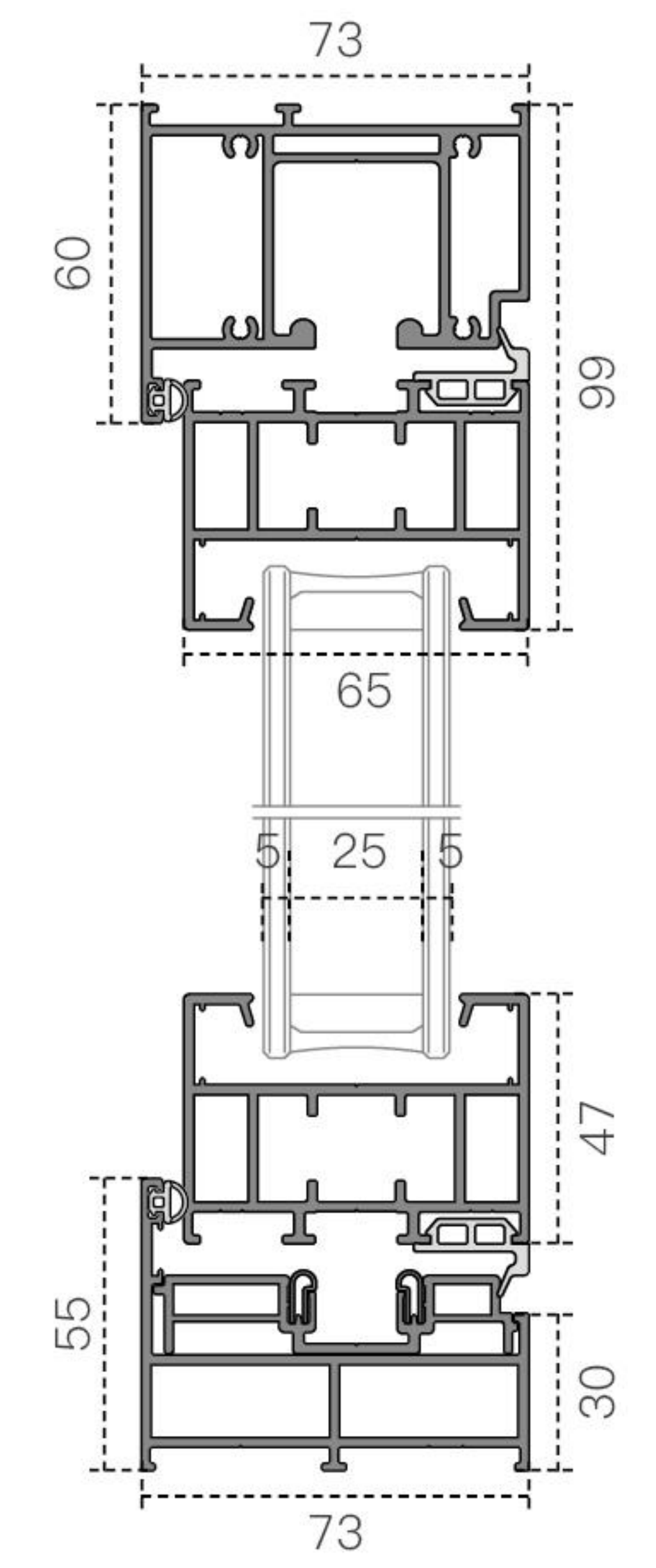
Exposed Hinge(Broken Bridge Scheme)



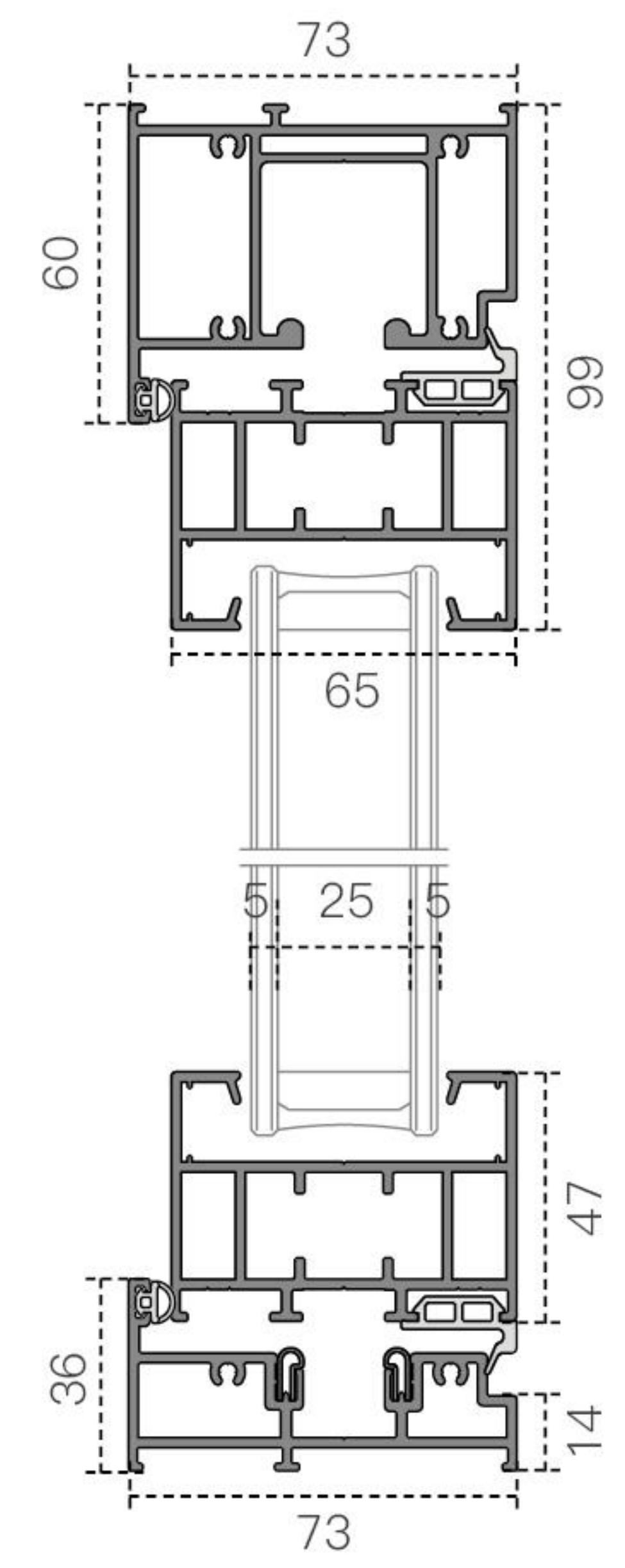
73/65 Folding Door System Ratio 1: 1 Unit:mm

# Design Proposal Exposed hinges

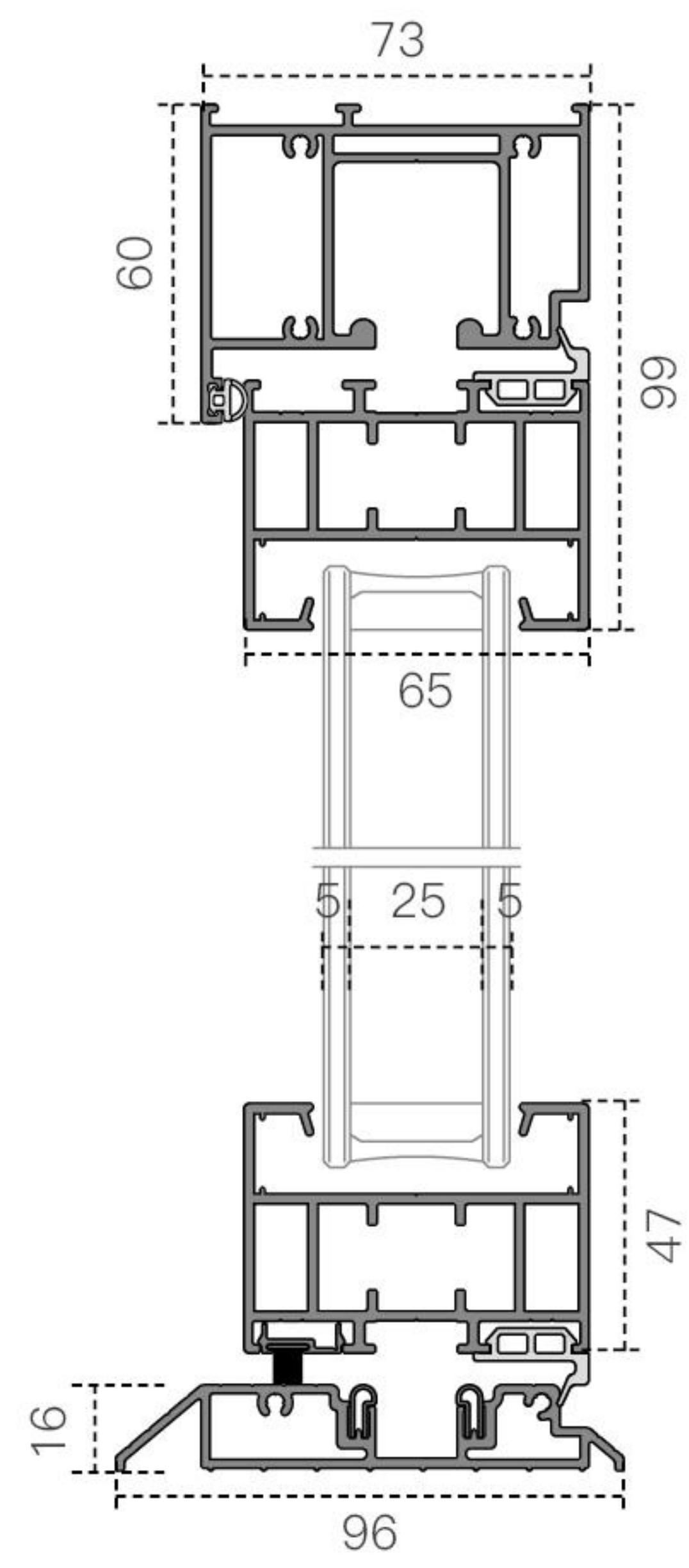
Hidden Hinge(Track Plan)



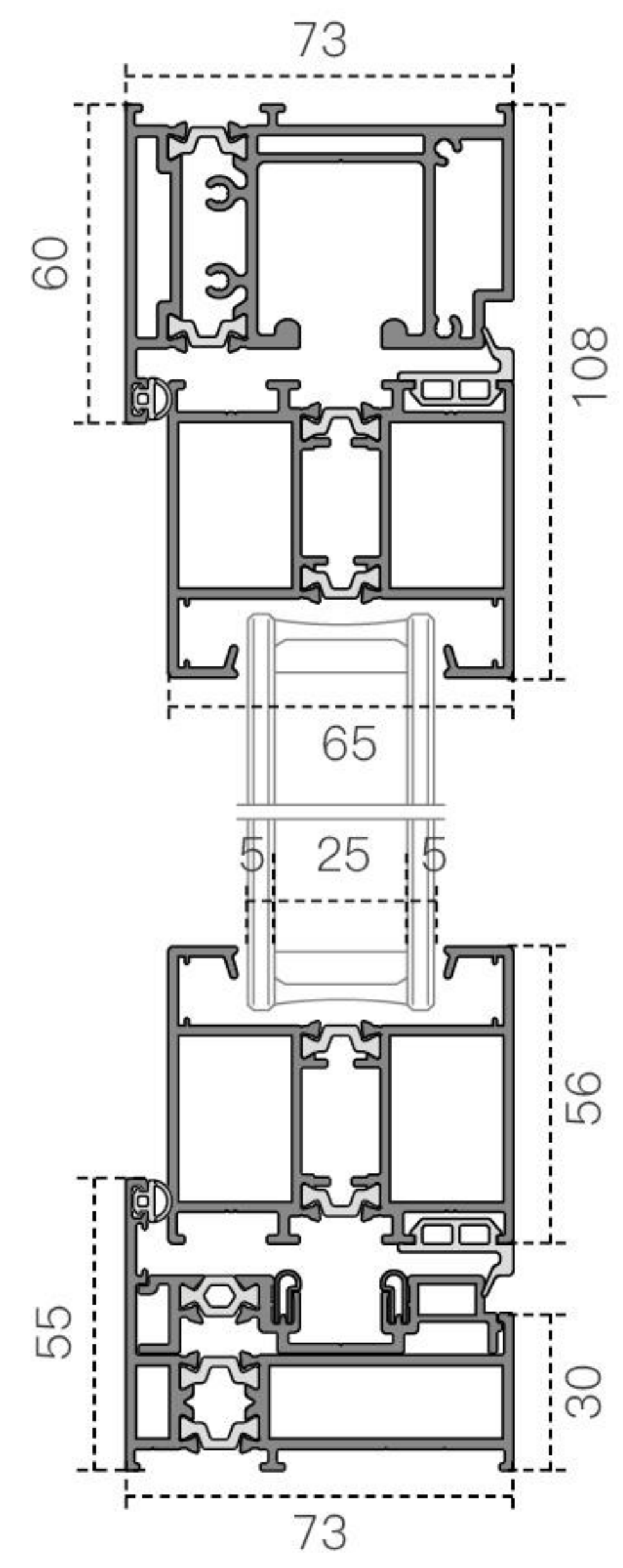
High Orbit Scheme



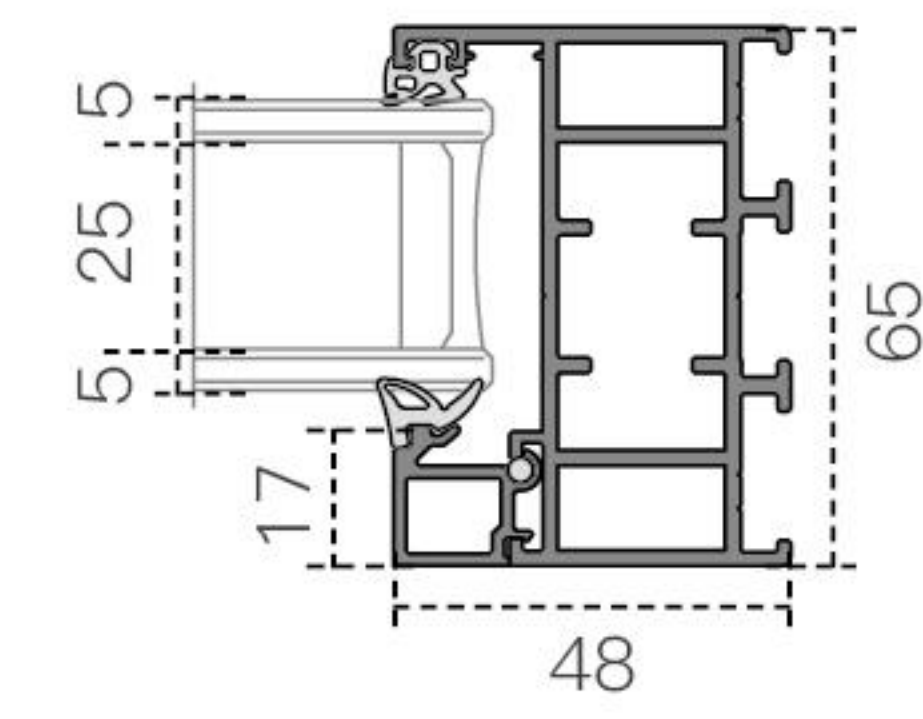
Low Orbit Scheme



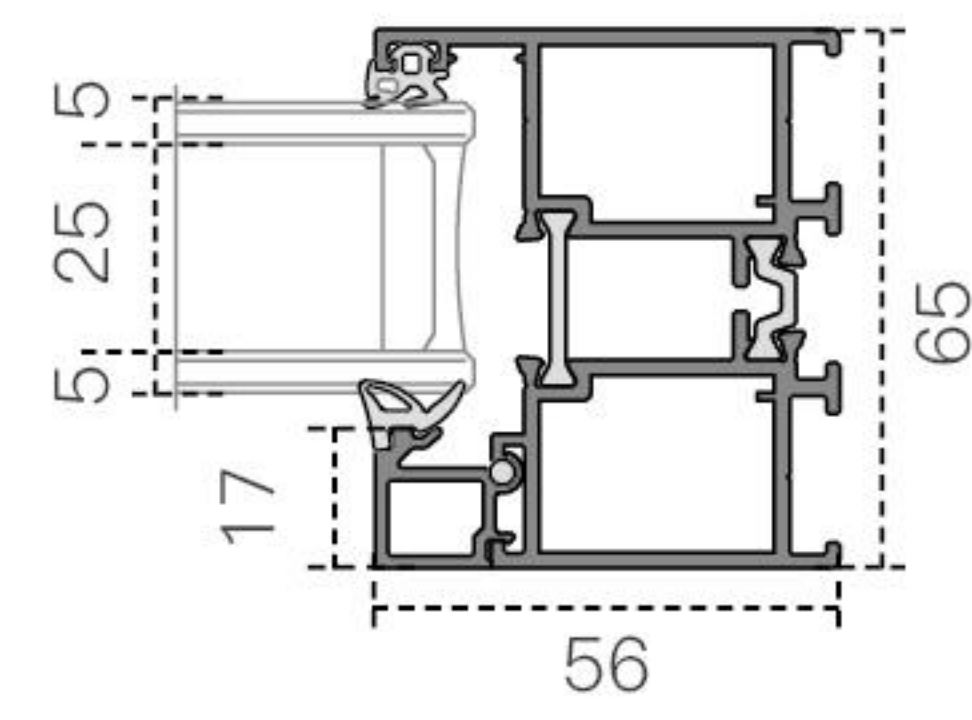
Accessible Orbit Scheme



High Orbit Scheme (Broken Bridge)



Line Pressing Scheme (Non Broken Bridge)



Line Pressing Scheme (Broken Bridge)

73/65 Folding Door System Ratio 1: 1 Unit:mm

# Optional solution parameter

### Technical Parameters Table of Hidden Hinge Folding Door System

Parameter	Maximum width of the opening	Height range of the opening	Single fan width range	Standard quantity of hinges	Maximum width of the opening	Profile thickness
Upper guide wheel and lower load-bearing capacity	800–10000mm	600–2500mm	450–800mm	3	75kg	2.0mm Broken bridge 1.8mm Non broken bridge
Upper suspension wheel and lower load-bearing capacity	800–20000mm	600–3200mm	450–950mm	4–5	120kg	2.0mm Broken bridge 1.8mm Non broken bridge

Warning: Please make and install this folding door according to the relevant regulations in the national standards. Any safety accidents that violate the relevant standards shall be borne by the responsible person for all legal consequences.

Glazing rebate	Standard quantity of hinges	Hollow blinds	Any number of folds	Corner without pillars	Free folding	High/Low/Barrier free Track	Appearance hardware color
36mm Broken bridge	5+22A+5	Support	Support	Support	Support	Support	Silver/Black/Customized
10/28mm Non broken bridge	6/5+15A+5	Support	Support	Support	Support	Support	Silver/Black/Customized
36mm Broken bridge	5+22A+5	Support	Support	Support	Support	Support	Silver/Black/Customized
10/28mm Non broken bridge	6/5+15A+5	Support	Support	Support	Support	Support	Silver/Black/Customized

### Performance Specifications of Hidden Hinge Folding Door System

Series	Air tightness	Water tightness	Wind Load Resistance	Thermal insulation (K )	Soundproofing (dB)
Broken bridge	Level 8	Level 5	Level 9	2.6W/(m <sup>2</sup> ·K)	30
Non broken bridge	Level 8	Level 5	Level 9	2.9W/(m <sup>2</sup> ·K)	35

Note: The relevant performance may vary depending on the door type, area, and glass. The above is theoretical data, please refer to the actual relevant testing data for details!

### Technical Parameters Table of Exposed Hinge Folding Door System

Parameter	Maximum width of the opening	Height range of the opening	Single fan width range	Standard quantity of hinges	Maximum width of the opening	Profile thickness
Upper suspension wheel and lower load-bearing capacity	800–20000mm	600–3200mm	450–950mm	3–4	120kg	2.0mm Broken bridge 1.8mm Non broken bridge

Warning: Please make and install this folding door according to the relevant regulations in the national standards. Any safety accidents that violate the relevant standards shall be borne by the responsible person for all legal consequences.

Glazing rebate	Standard quantity of hinges	Hollow blinds	Any number of folds	Corner without pillars	Free folding	High/Low/Barrier free Track	Appearance hardware color
39mm Broken bridge/ Non broken bridge	5+25A+5	Support	Support	Support	Support	Support	Silver/Black/Customized

### Performance Specifications of Exposed Hinge Folding Door System

Series	Air tightness	Water tightness	Wind Load Resistance	Thermal insulation (K )	Soundproofing (dB)
Broken bridge	Level 8	Level 5	Level 9	2.6W/(m <sup>2</sup> ·K)	30
Non broken bridge	Level 8	Level 5	Level 9	2.9W/(m <sup>2</sup> ·K)	35

Note: The relevant performance may vary depending on the door type, area, and glass. The above is theoretical data, please refer to the actual relevant testing data for details!

# CONVENTIONS AND CREATING A NEW SPATIAL PATTERN

Folding doors make a stunning debut. The overall design follows the principles of simplicity, aesthetics, and coordination. The principle of uniform lines and extremely narrow borders introduces endless lighting and circulating air into the space.





## DEFINE A NEW DIMENSION OF SPATIAL AESTHETICS

73/65 series concealed and exposed folding door system satisfies your dual imagination of quality and design.

# FOLDING DOOR SYSTEM

High load-bearing and light control, the system is especially suitable for large area sliding doors



Safe and stable



Quick installation

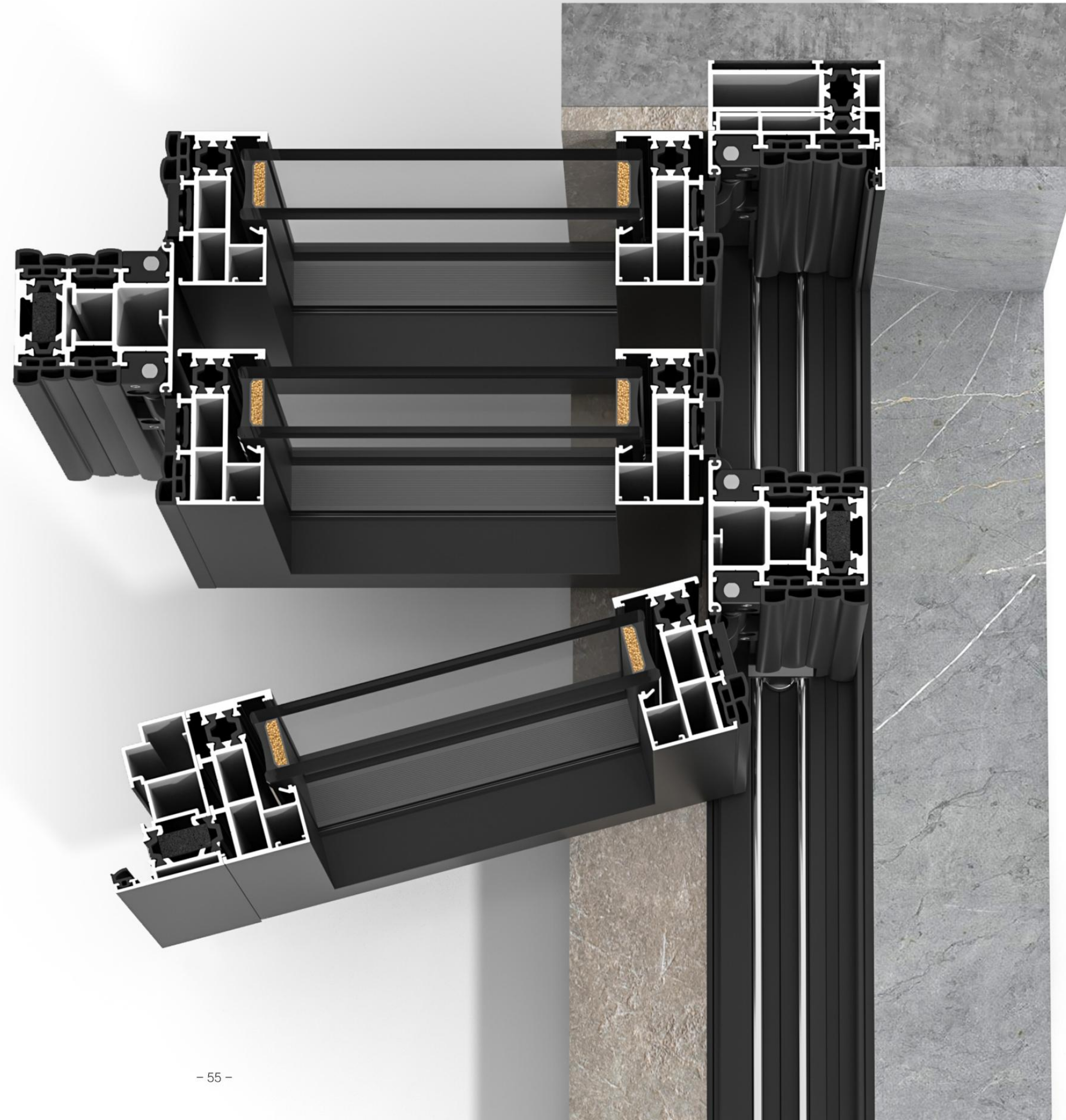


Easy operation

This folding door system adopts a hidden flat handle combined with a semi-automatic locking system, breaking the traditional flat handle locking method. The entire series comes standard with stainless steel pulleys, and the 304/420 pulley housing and bearings have increased corrosion resistance under surface passivation treatment.

The hidden hinge folding door system adopts a brand new hinge hidden structure design, which improves the overall sealing performance of the folding door on existing technology. By designing sealing strips that are staggered and overlapped on the top and bottom of the door leaf and three sealing strips between the door leaves, high water tightness and air tightness performance indicators are achieved.

The exposed hinge folding door system achieves 80% sharing of profiles and hardware on the basis of the hidden hinge folding door system. The new original design of the train wheel slide system greatly improves the smoothness of folding and sliding. The existing structure of adding aluminum profile ribs to hide the pulley system under the door leaf is abandoned, and a special corner code is used to solve the problem of hidden pulley system.





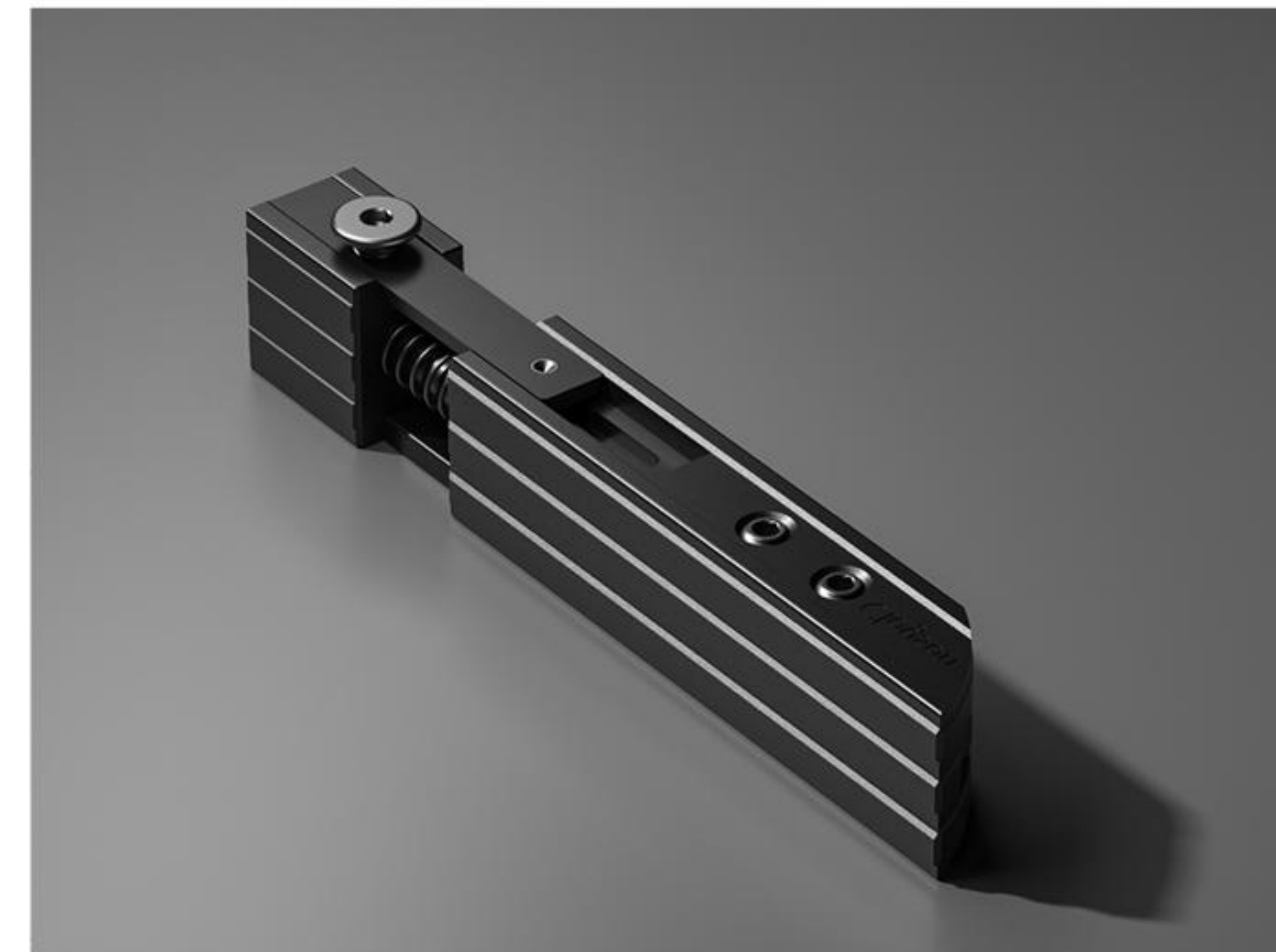
# THREE SEALING GASKETS

With no gaps at all

Designed with three sealing strips,  
Simultaneously working with the track seal, it improves the thermal  
performance and sealing of the entire door.

# INNOVATIVE HARDWARE DESIGN

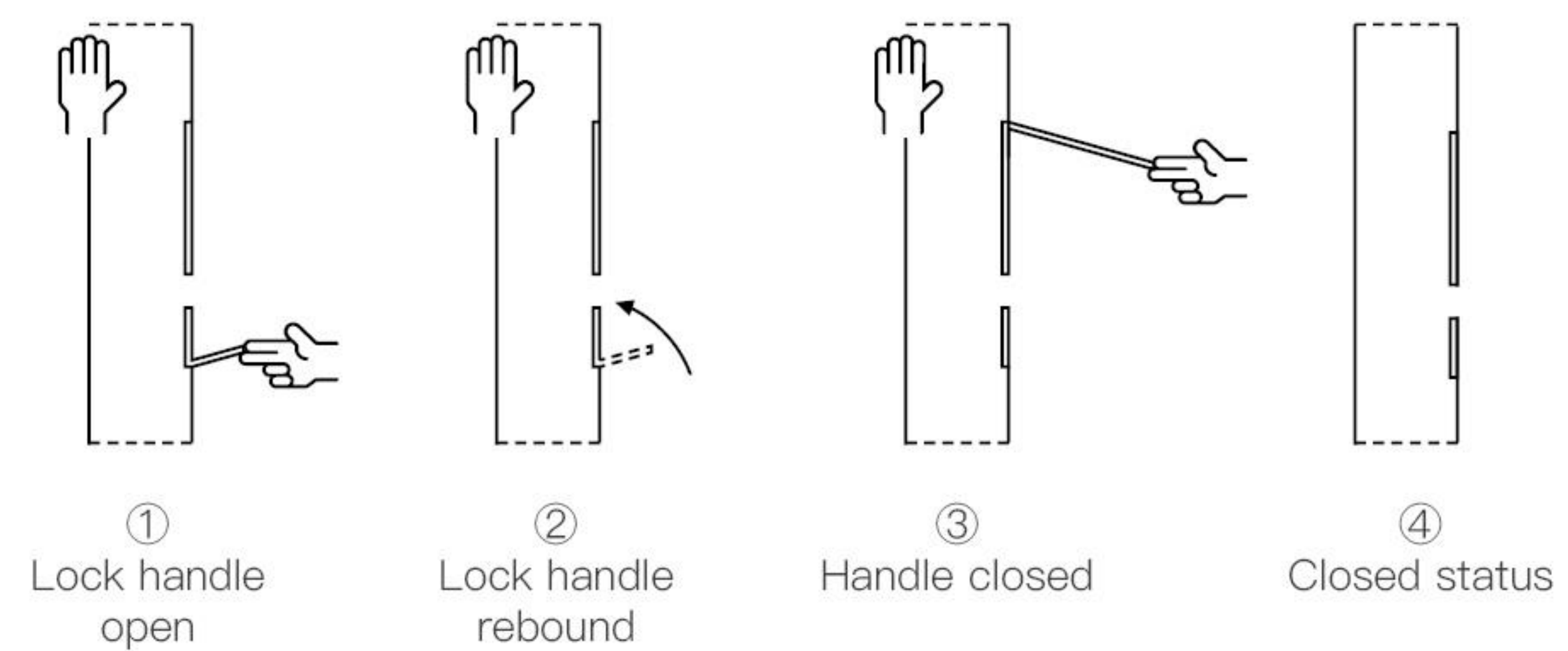
In the early stages of product design, designers considered how to integrate "safety" and "stability" into the structure of hardware products. Our design team studied a large number of well-known domestic and foreign brand folding door products, and summarized that simplicity, atmosphere, and beauty are the first elements. With the advancement of safety, smoothness, and performance, we have created a classic work of hidden flat handle locks. Combined with the structural application of stainless steel train pulleys, we fully embody the theme of systematic design and redefine the new standard of smooth aesthetics for folding doors.

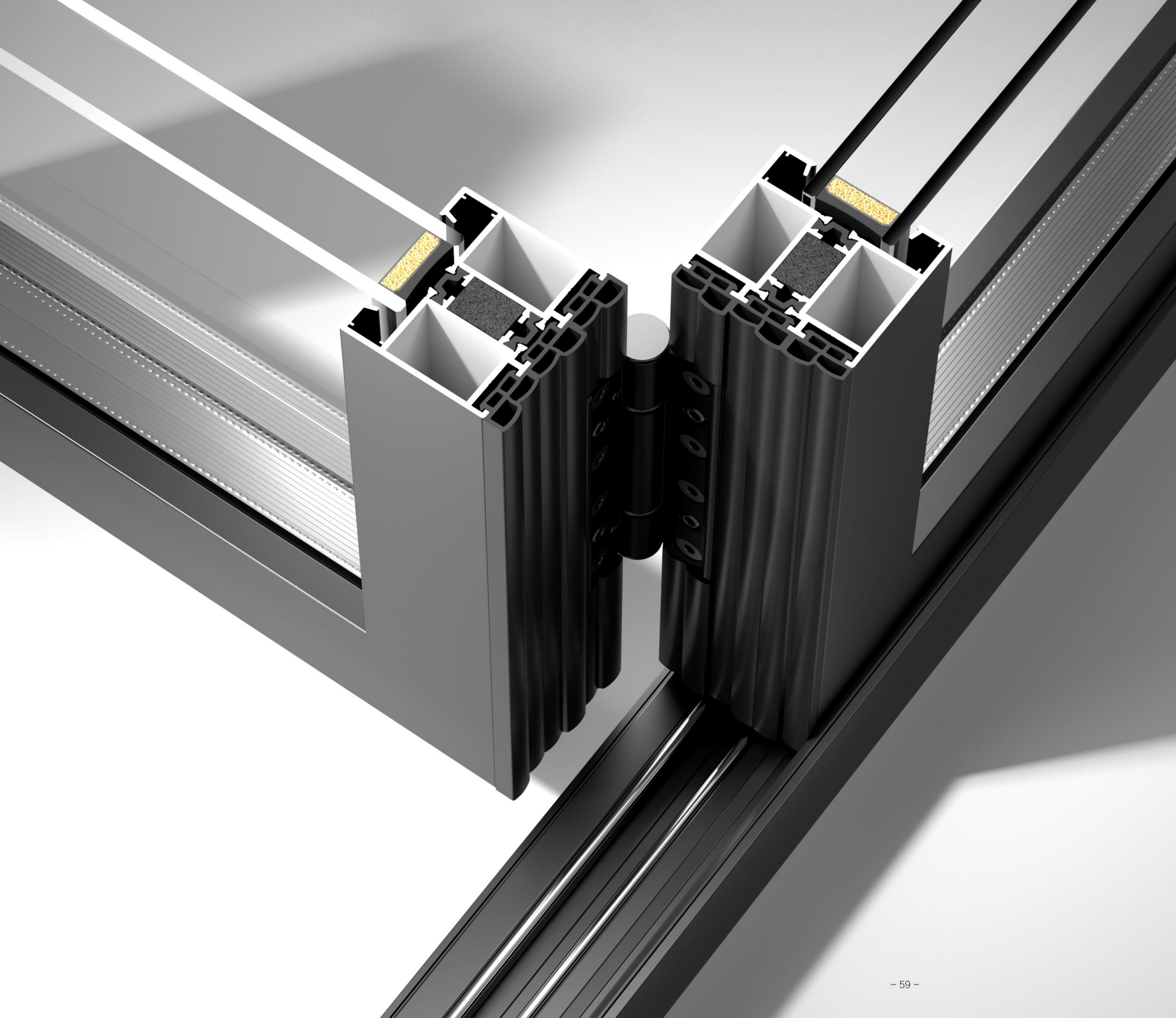


# HIDDEN HANDLE

Ultimate beauty easy control

The door leaf is installed with a hidden flat handle, by combining a completely new structural design with a semi-automatic locking system. The combination of handle and lock functions makes it easy to open and close the folding door switch.





## CONVENTIONS AND CREATING A NEW SPATIAL PATTERN

The design of the hinge rubber strip provides an additional layer of protection for the seal. Sealed in all directions without dead corners, making it impossible for wind and rain to seep through.

# AUTOMATIC REBOUND PIN DESIGN

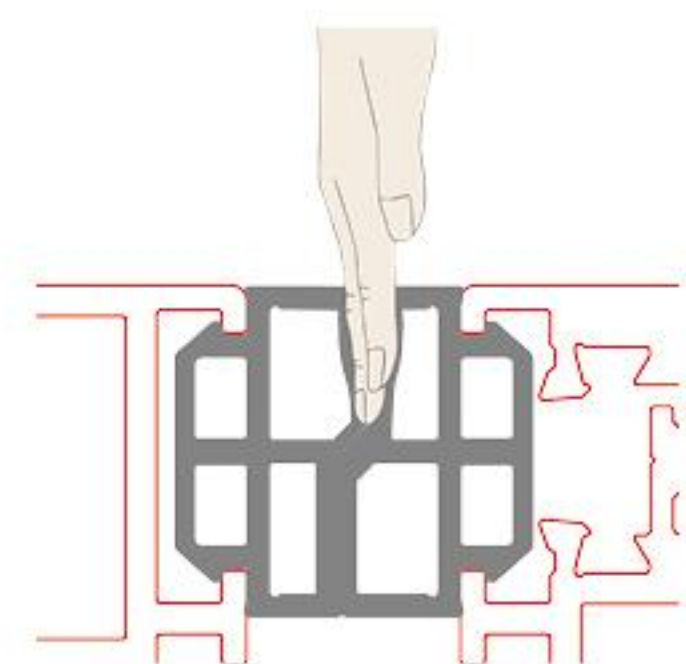
Abandoning cumbersome structures

Innovative and simplified design, abandoning cumbersome structures, utilizing the inner cavity of profiles for easy manufacturing and installation of the pipe body,  
Collaborative planar handle simplifies the tedious locking operation, and the door leaf can be automatically locked by pulling once it is opened.

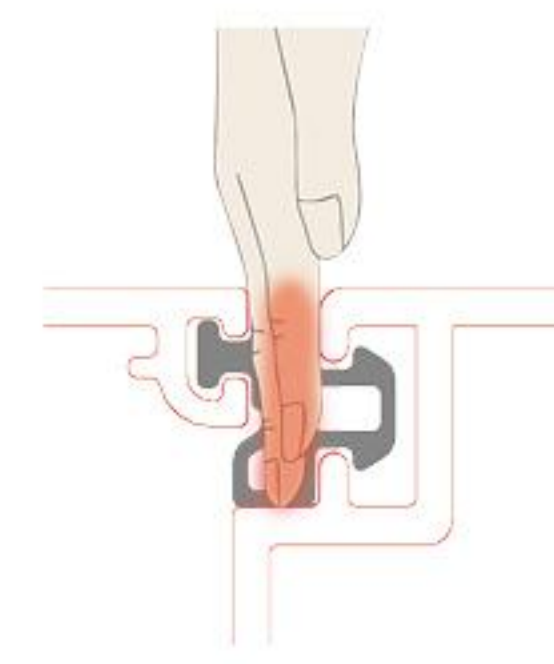


## ANTI PINCH IS SAFER

Install sedan grade composite foam strips in the gap between the door leaf and the center pillar; Even if your fingers extend into the gaps between the door leaves when the door leaves are closed, it can effectively prevent accidental finger injuries.



Clayson



Others



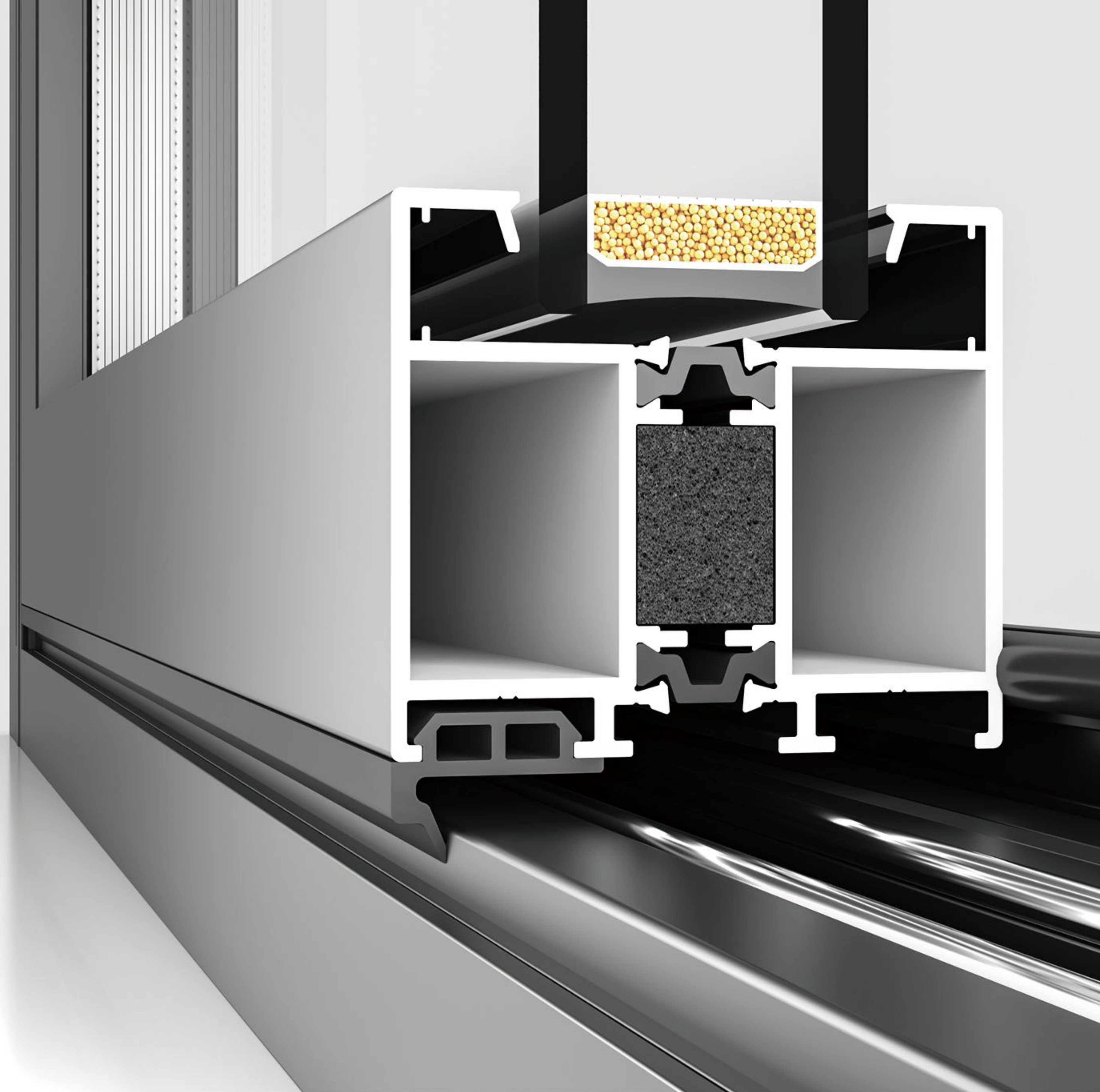
## HIDDEN HANGING WHEEL

Innovative spring soft connection hanging pulley design, with auxiliary load-bearing hanging pulley subjected to force, The lower pulley support is mainly subjected to force, and the upper and lower pulleys work together smoothly without obstruction. Innovatively subverting the traditional design of hanging wheel screw connection seat, simple, safe, efficient, and stable.



## HIGH PERFORMANCE LOAD-BEARING PULLEY SYSTEM

Originality applies the train wheel structure to the folding door pulley system, adding brush cleaning function to enhance the smoothness of folding and sliding. Adopting stainless steel 420 bearings and stainless steel 304 pulley housing, and then undergoing surface passivation treatment, the rust resistance and corrosion resistance of the pulley are improved by more than 90%, far exceeding peer products.

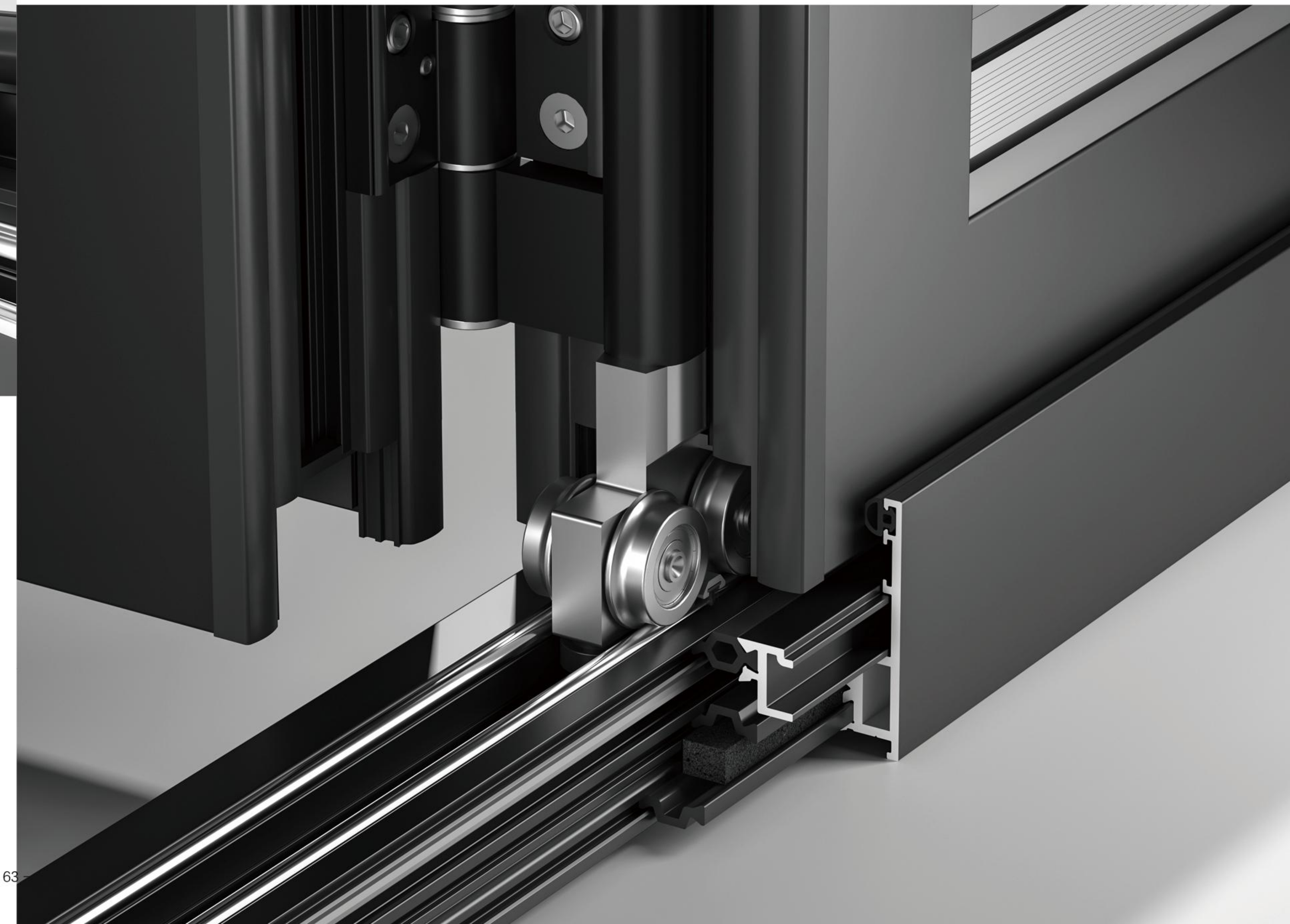


## ORIGINAL DESIGN OF AVOIDANCE SLOT FOR PULLEY SYSTEM

Using special corner codes to create hidden clearance slots for the pulley system after 45 degree angle grouping of the door leaf  
Simplified design to achieve higher sealing performance

## INNOVATIVE DESIGN OF WATER BLOCKING RUBBER STRIP

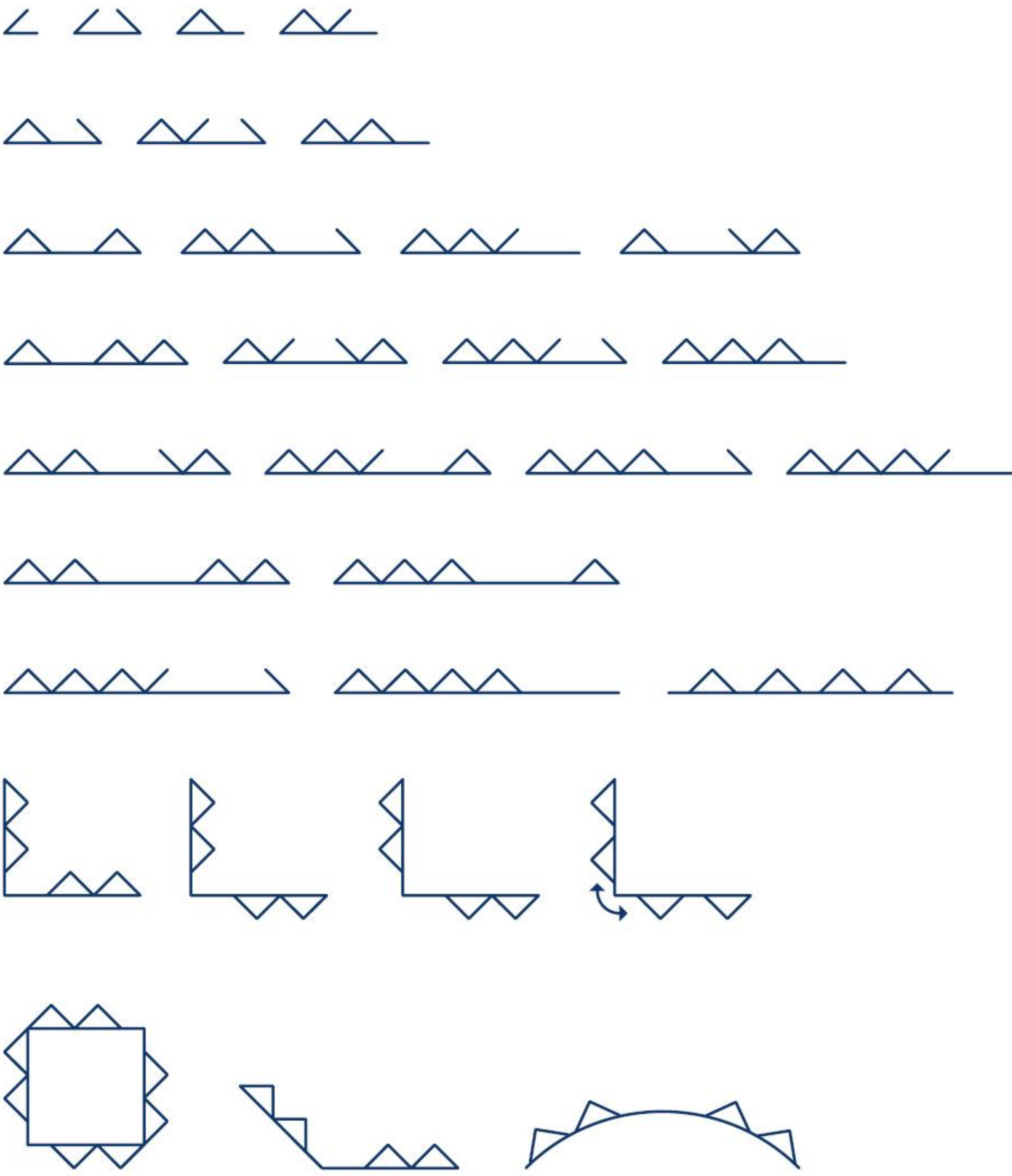
Clever water blocking rubber strip design adds an additional sealing guarantee to the folding door; Prevent rainwater from flowing back into the room through the gap mesh.





# EASY FOLDING, FULL FRAME FREE SPACE

73/65 series folding door system can meet the application needs of various scenarios, breaking through the limitations of folding in the past, not only creating unique designs for spaces but also providing good environmental requirements for interiors.



# Glass railing

## Selective color

---

	Sandblasted grey
	Black frosted
	Coffee color

## Technical Parameter

---

**Component:** Top handrail、 Tempered glass、 Base

**Materias:** Aluminum/Stainless steel

**Railing Height:** 850–1500mm or customized

**Railing Lenght:** Customized based on your jobsite

## Application scenarios

---

### Residential field:

Balcony with a view, terrace, villa fence, duplex staircase, indoor loft partition.

### Commercial field:

Sky bridge in shopping mall, interior railing of the curtain wall in the office building, hotel lobby, restaurant terrace, shop window.

### Public and leisure field:

Rooftop railing, swimming fence, landscape platform, bridge sidewalk.

## Product introduction

---

### Permeability:

To maximize the original view and lighting, allowing the indoor and outdoor landscapes to blend seamlessly.

### Enhance spatial sense:

Eliminate visual barriers to make small spaces look larger and larger spaces more open and grand.

### Solid structure:

Made of automotive grade tempered glass, even if it breaks under extreme impact, the tempered glass will shatter into "granular" blunt-edged pieces greatly protecting personal safety.

### Outstanding weather resistance:

Glass and high-quality metal accessories have excellent anti-ultraviolet, anti-corrosion, and high-temperature and high-humidity resistance and are not easy to fade, rust, or deform.

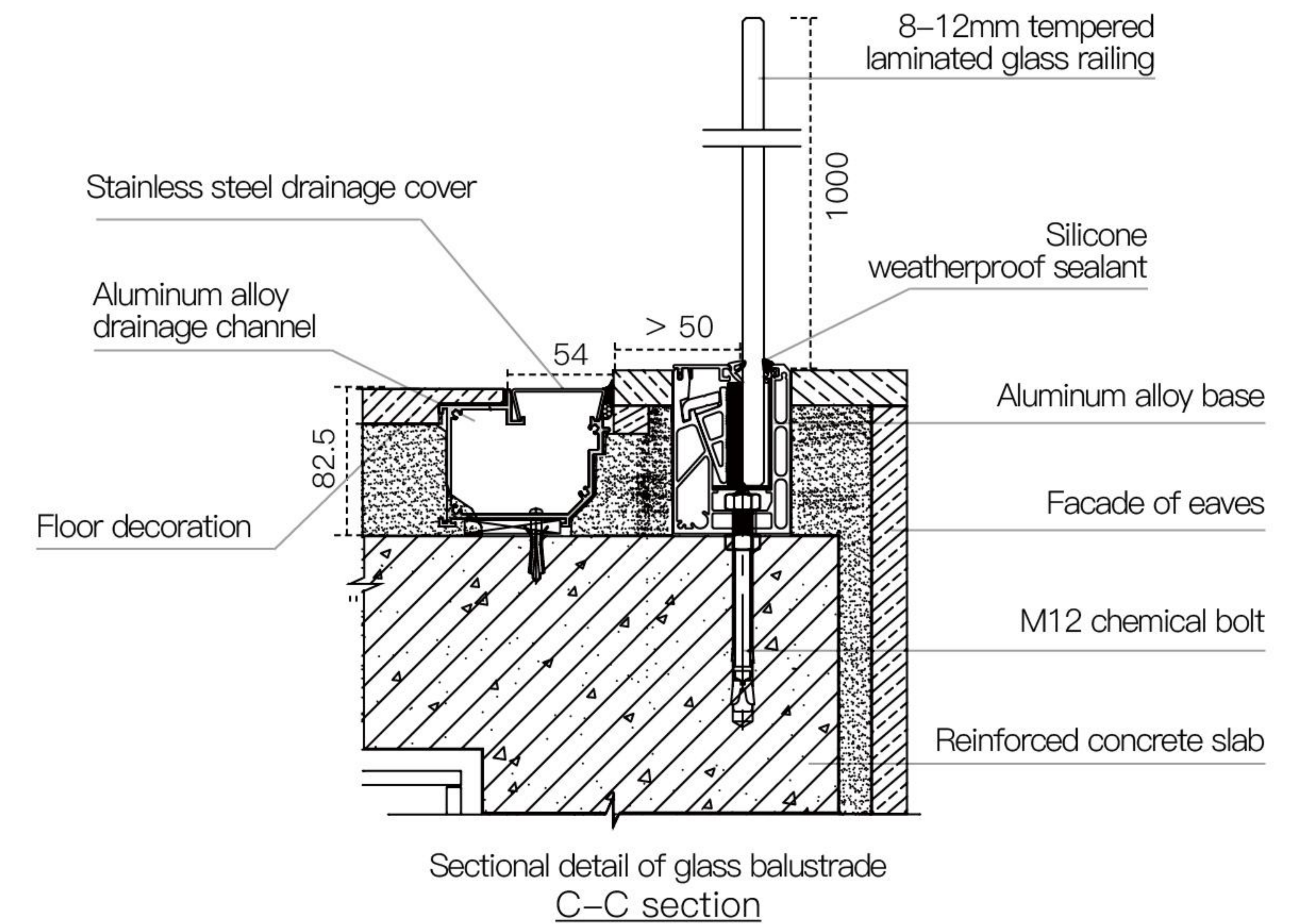
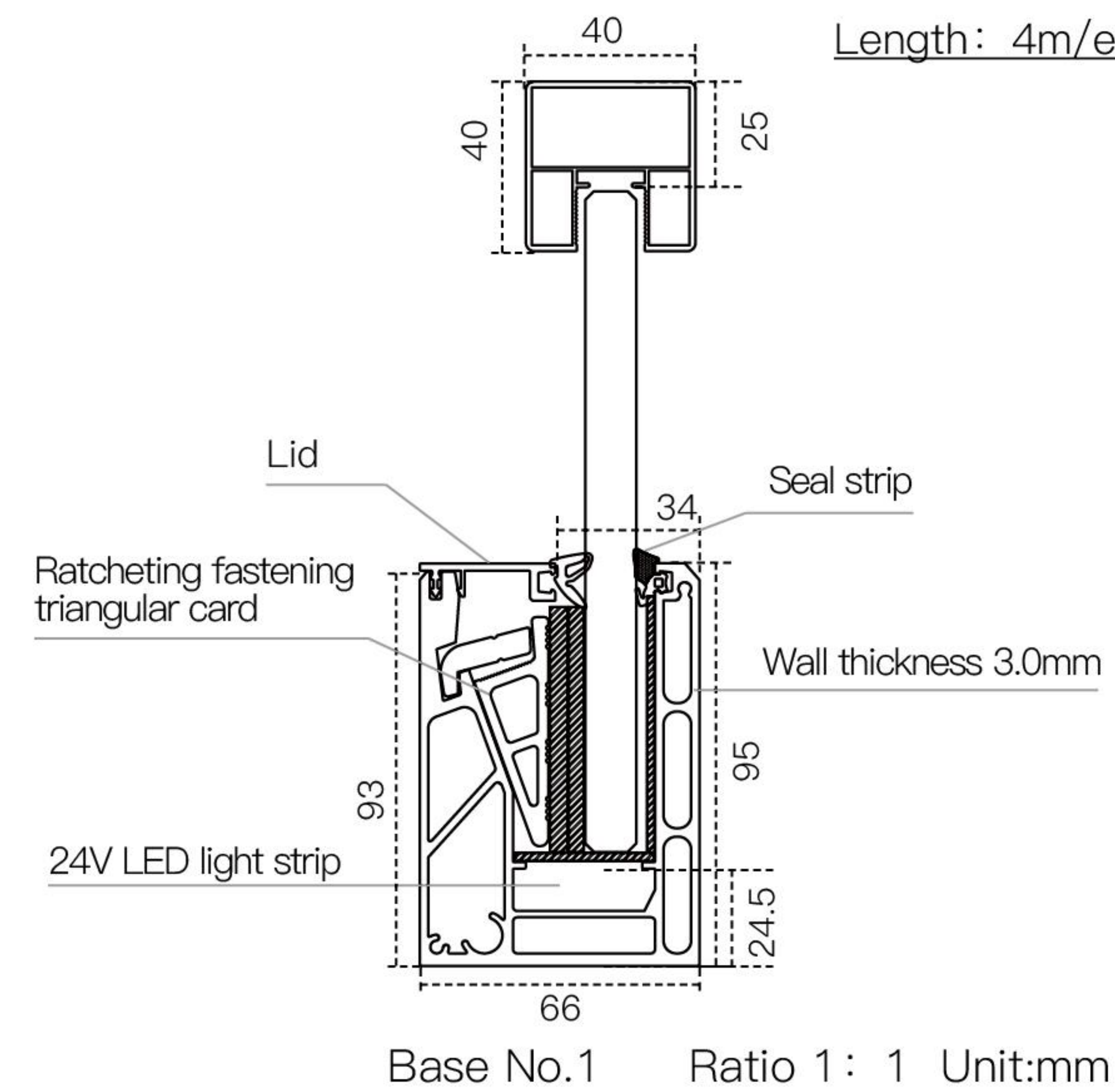
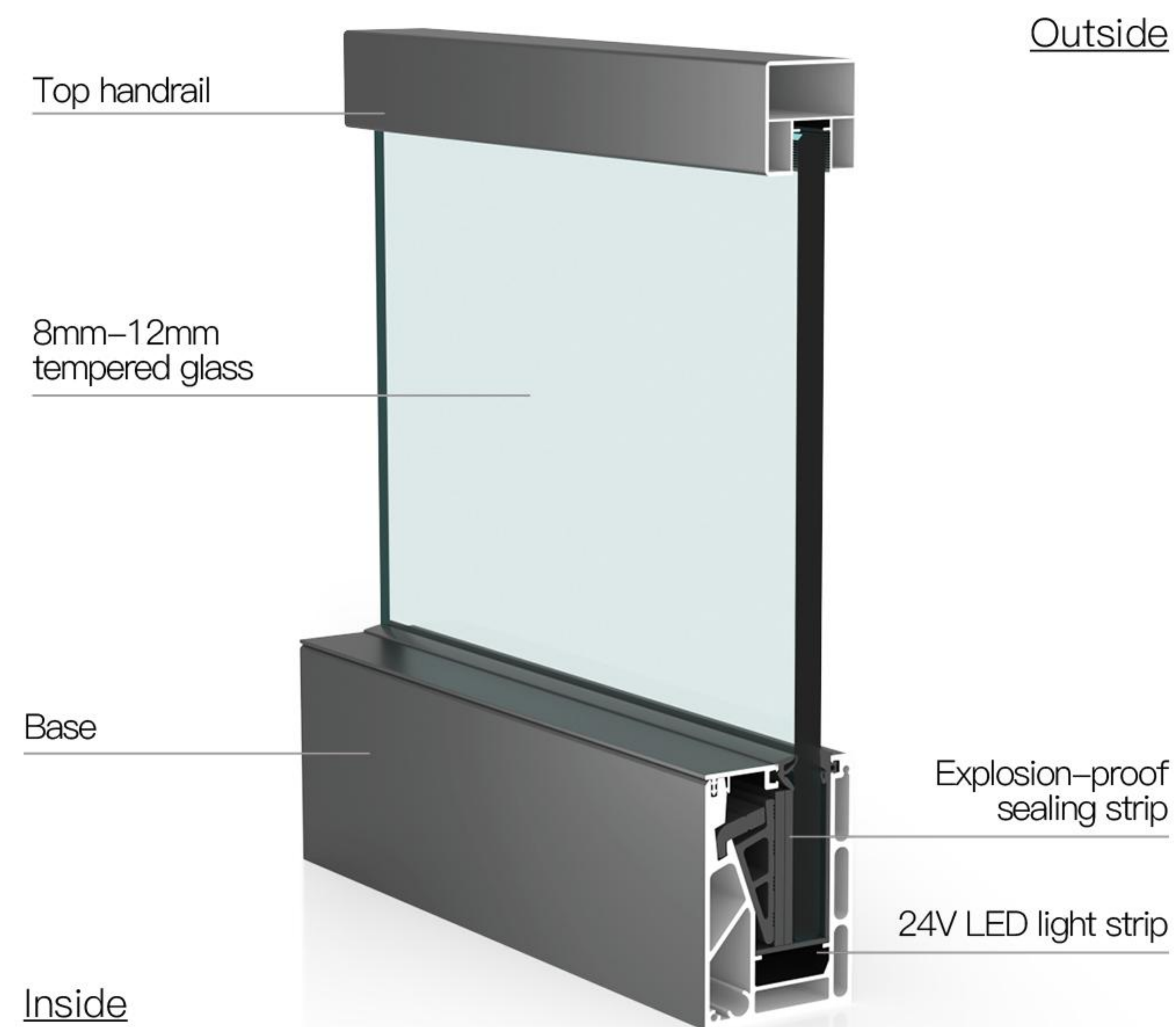
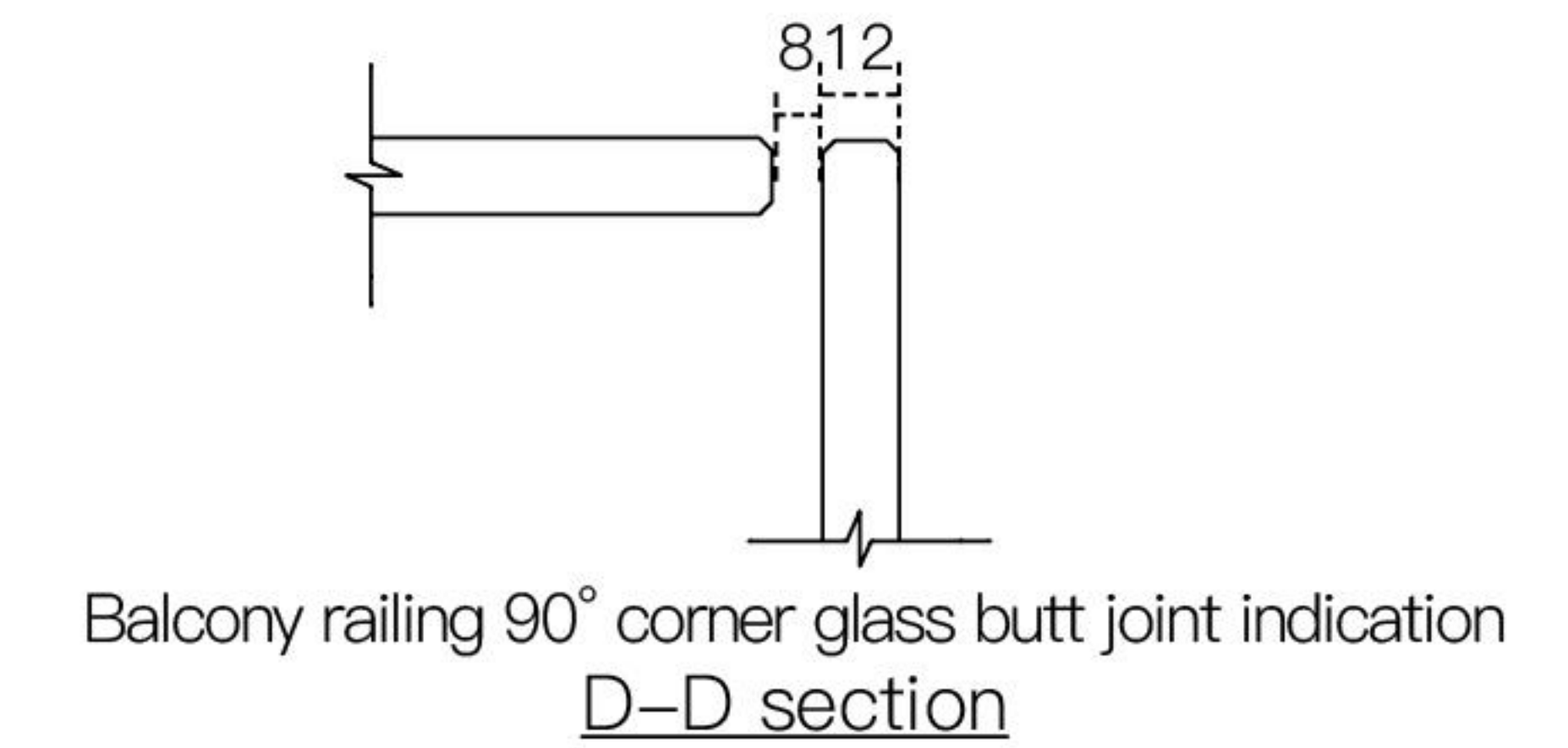
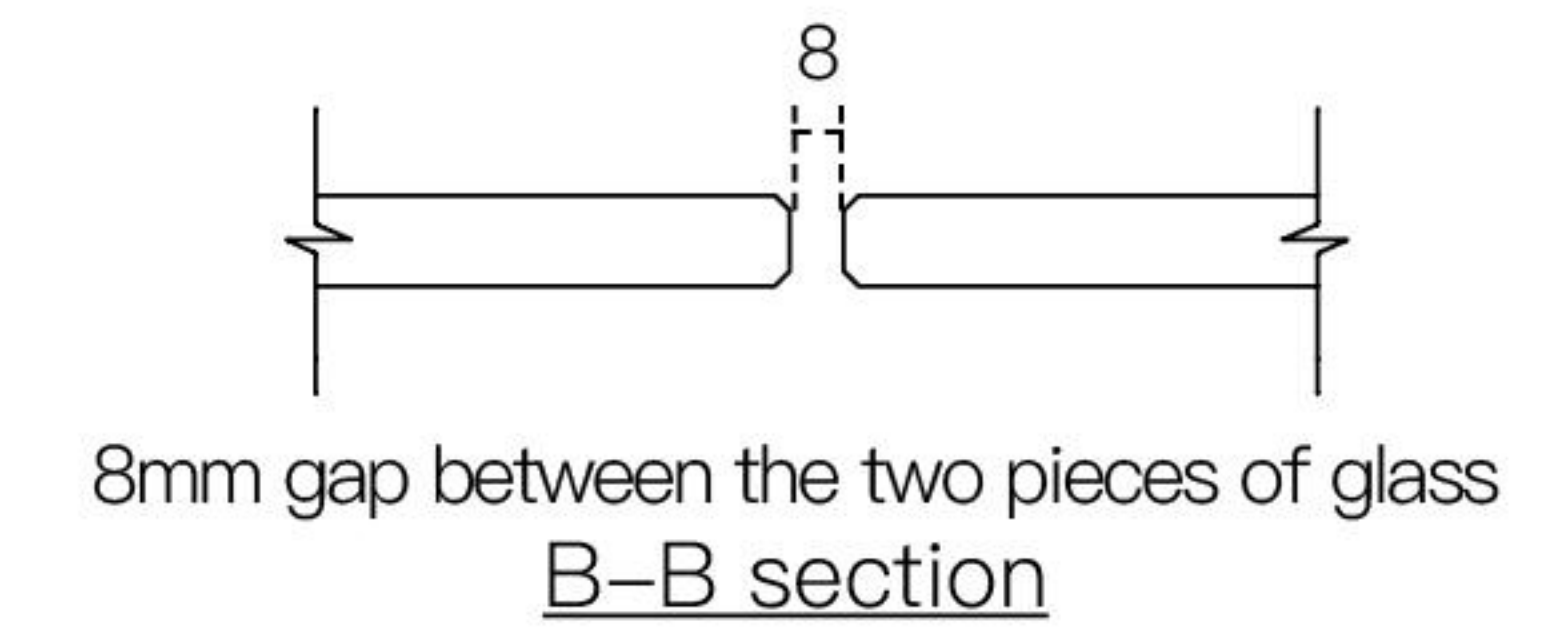
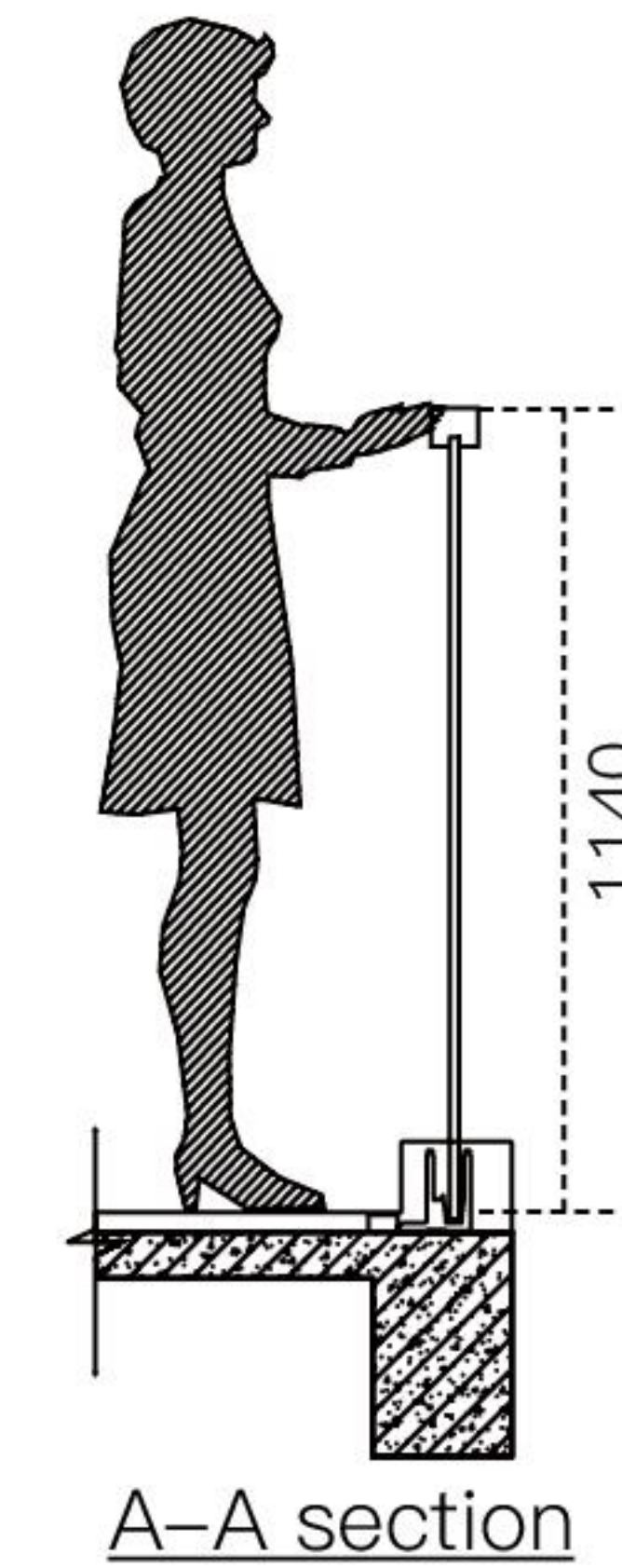
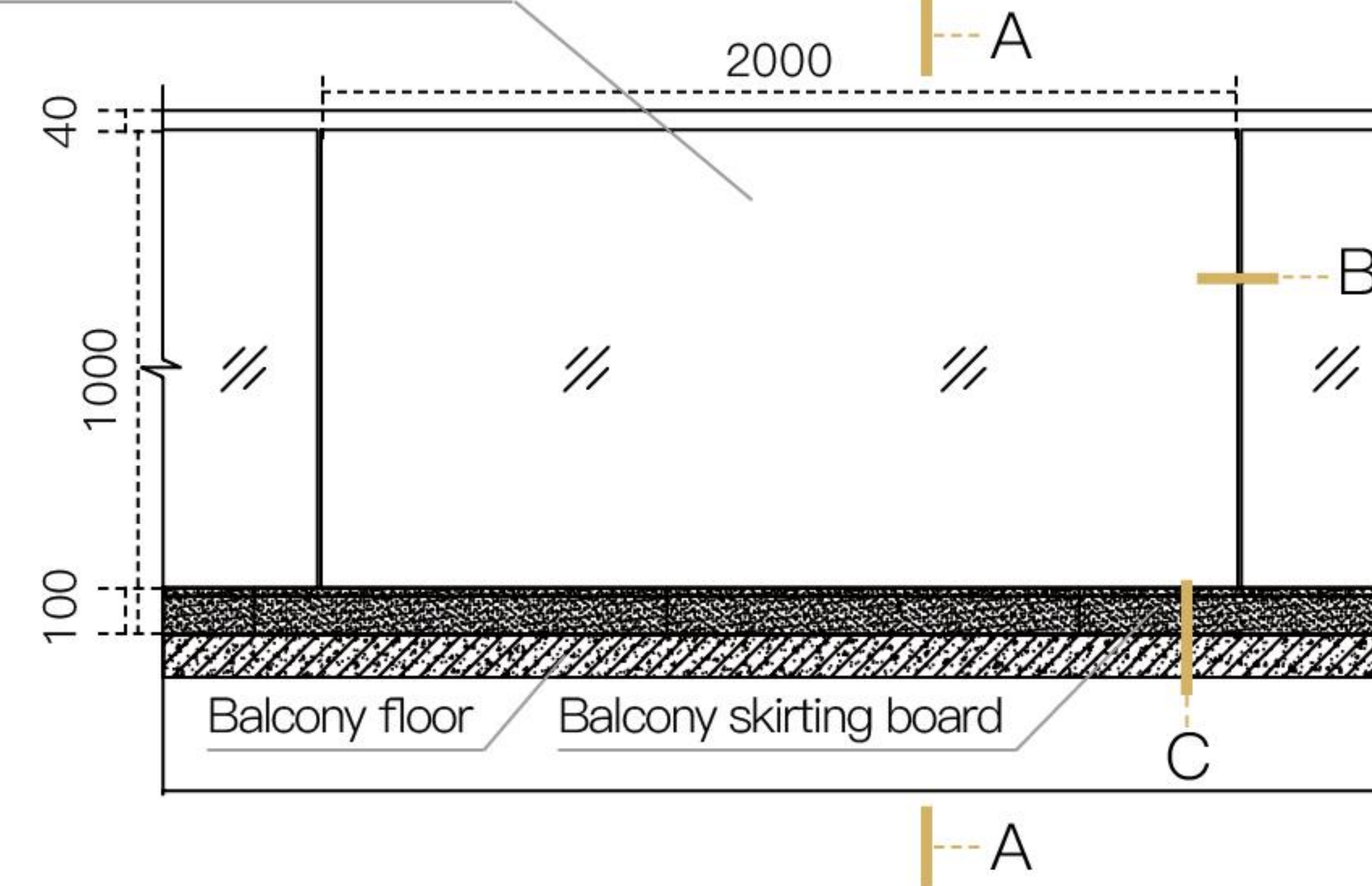
### Clean and simple long-lasting.:

Smooth and flat surface, no hidden corners, simple wiping can make it look new every day. With normal use and maintenance, the service life can reach.

# Details Optional Solutions



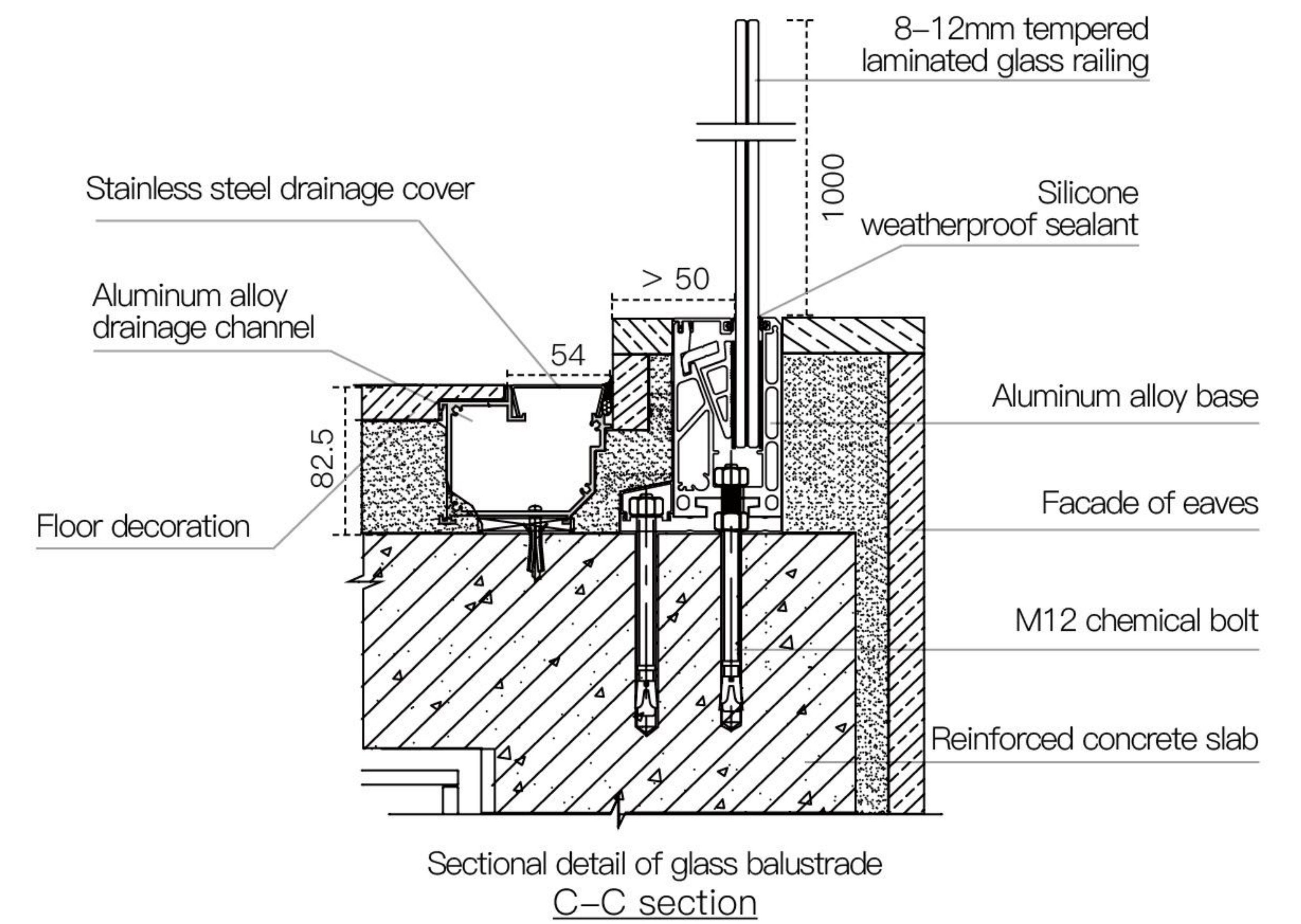
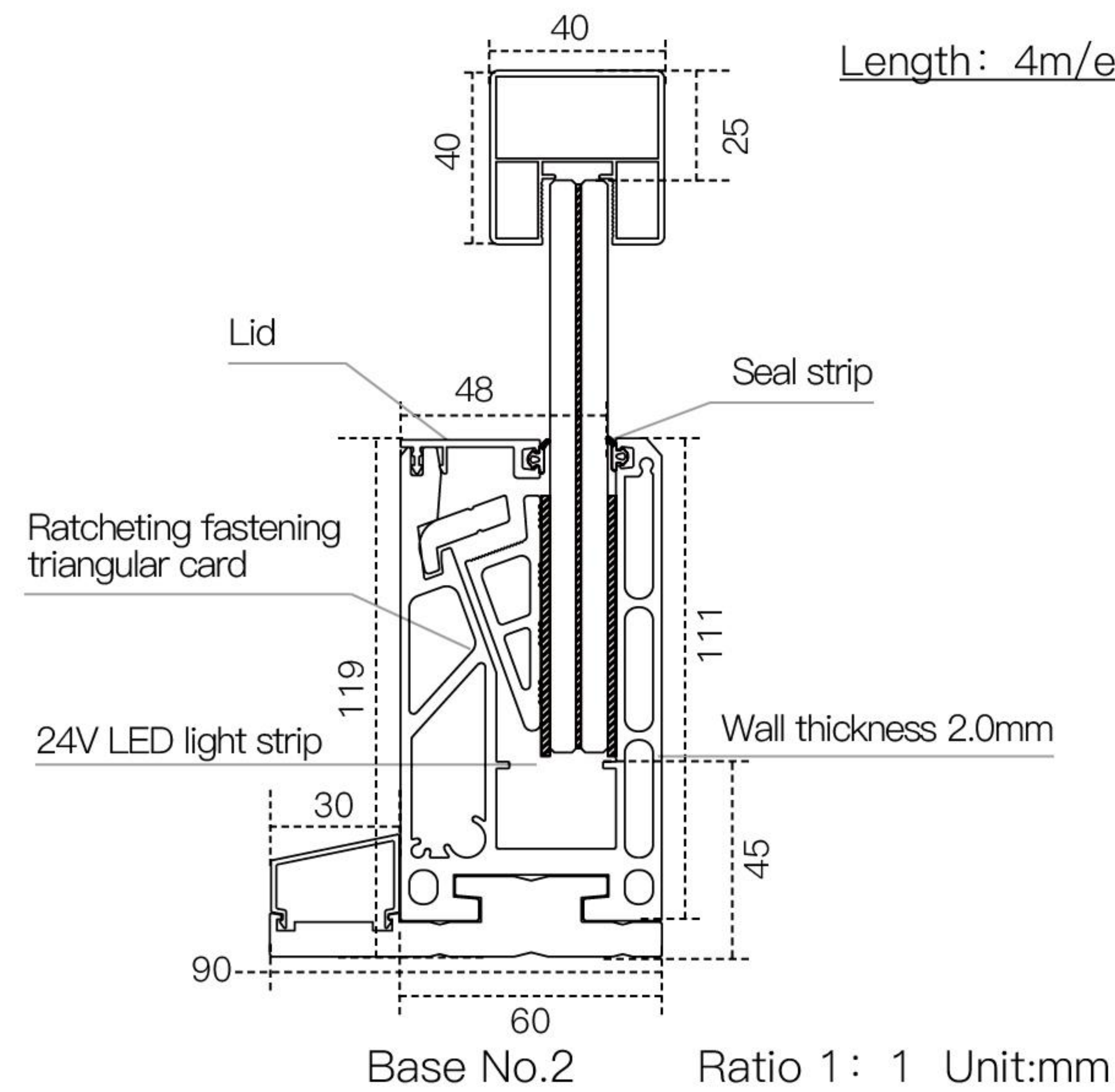
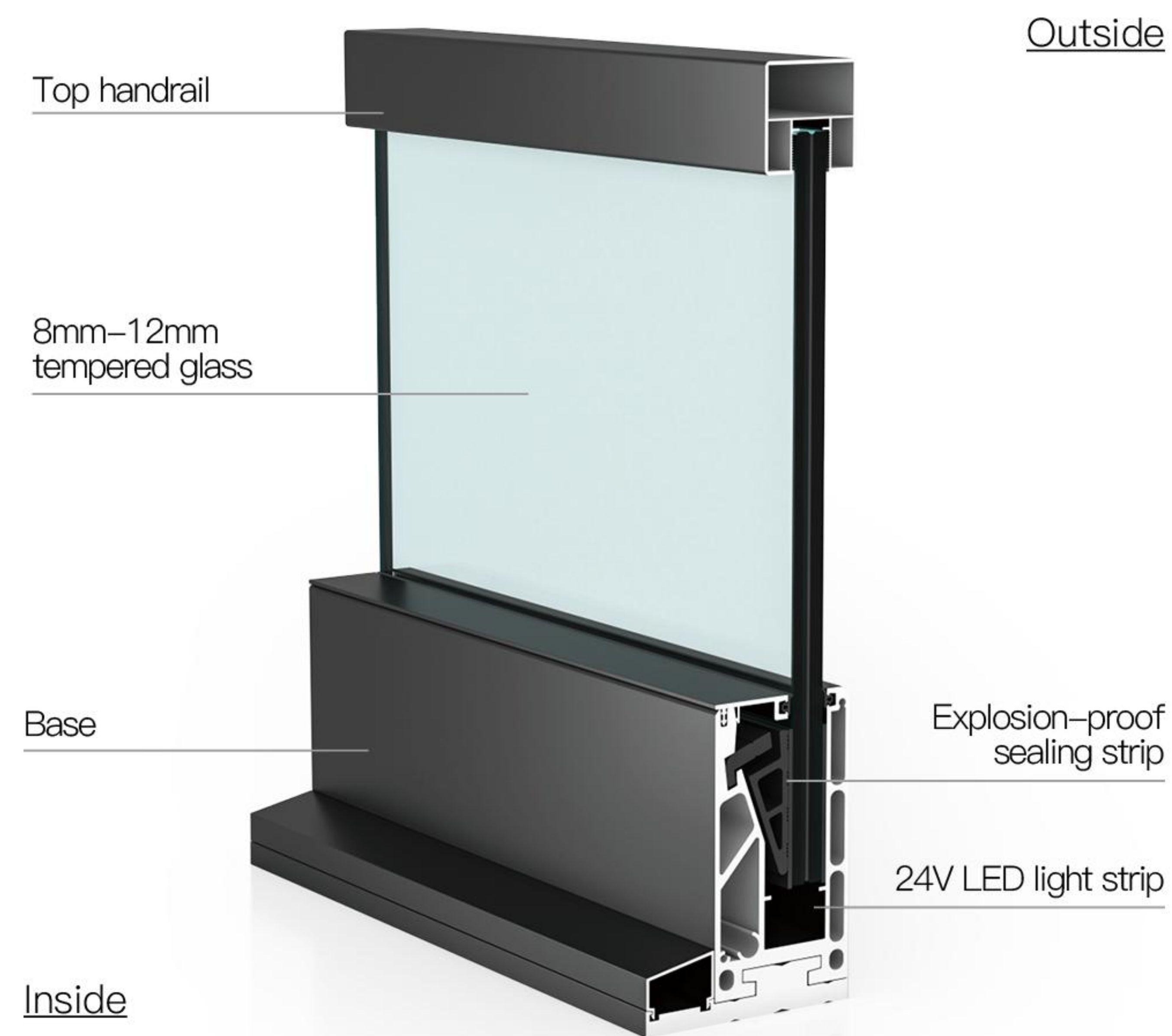
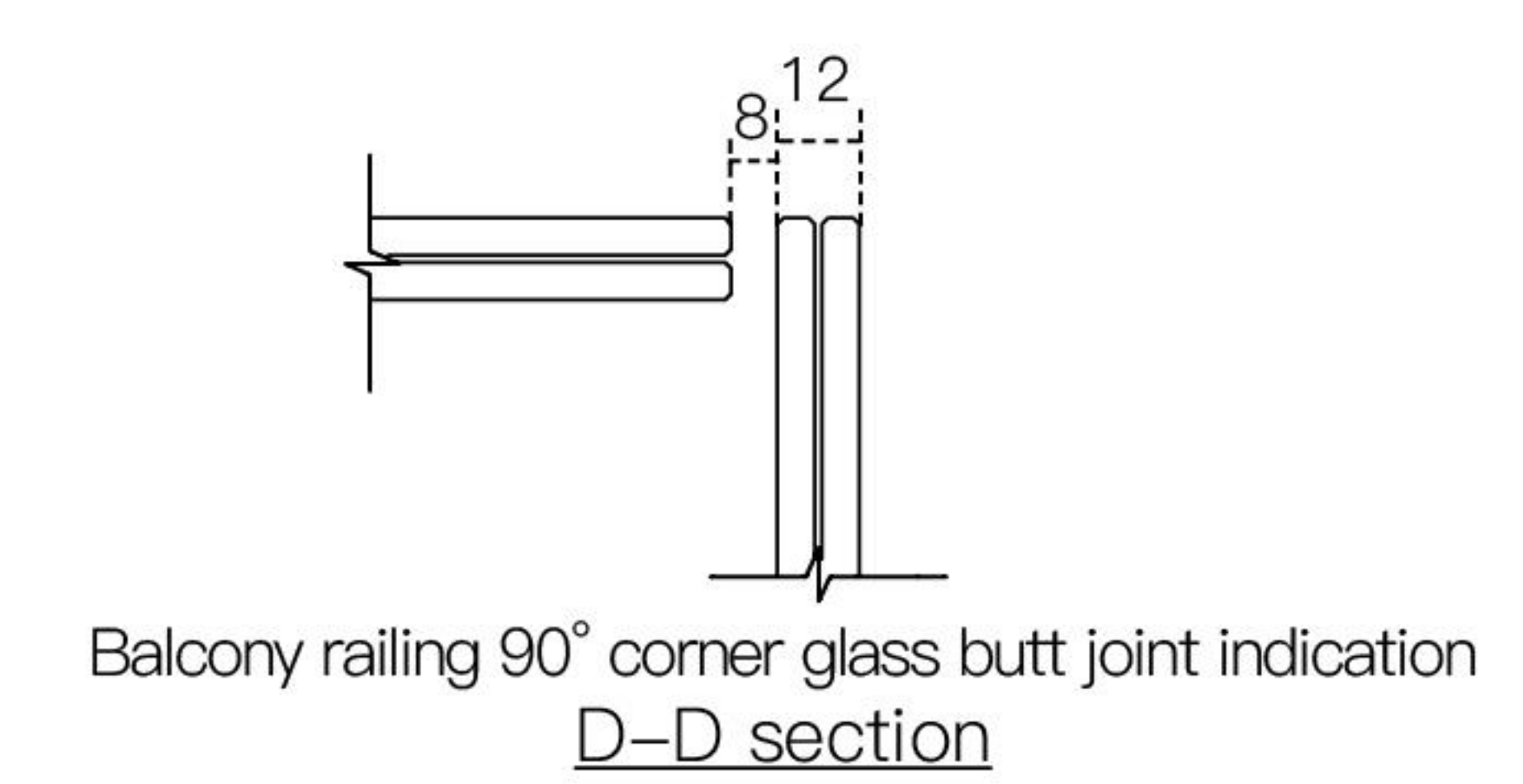
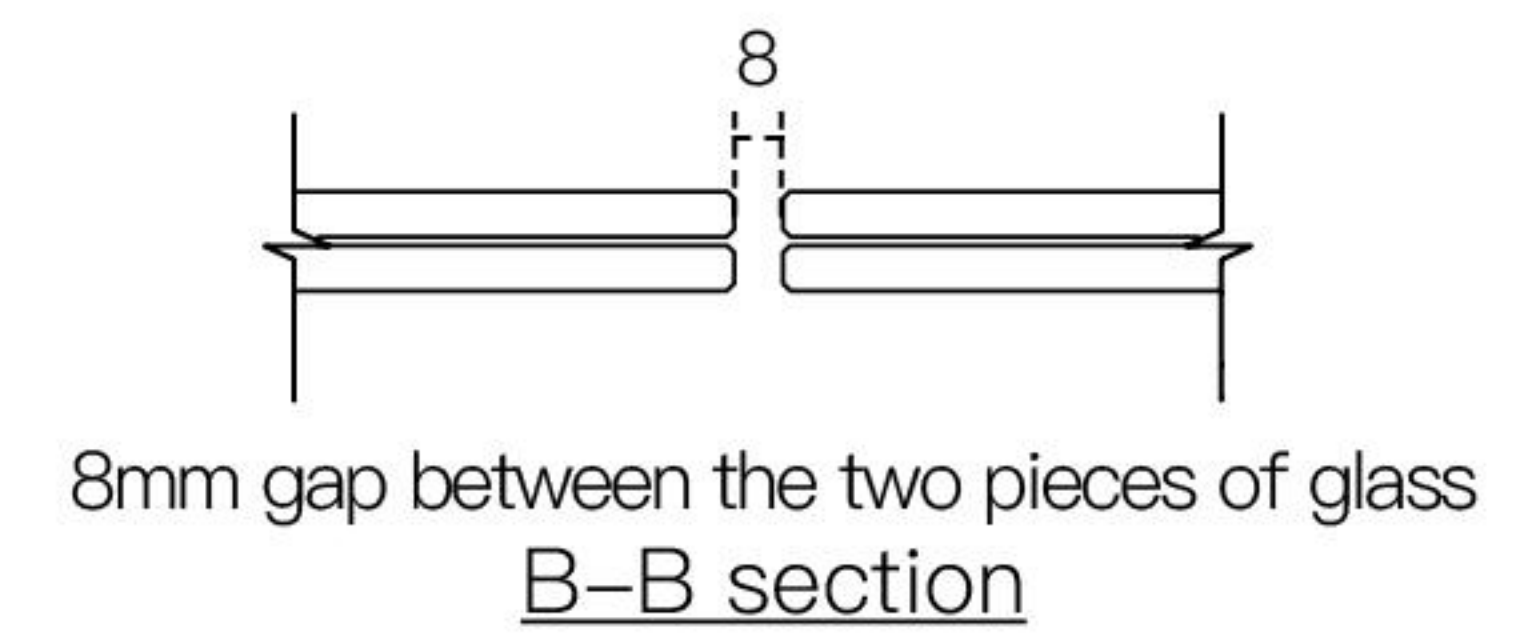
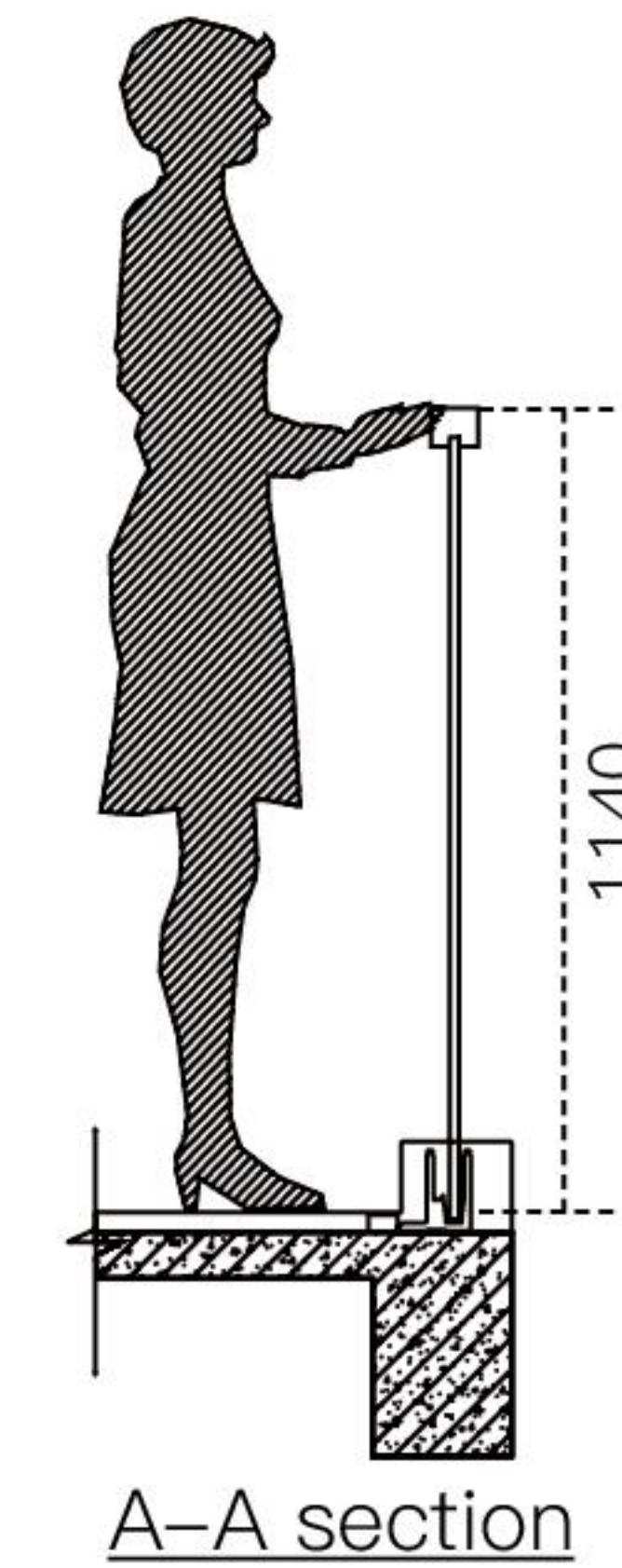
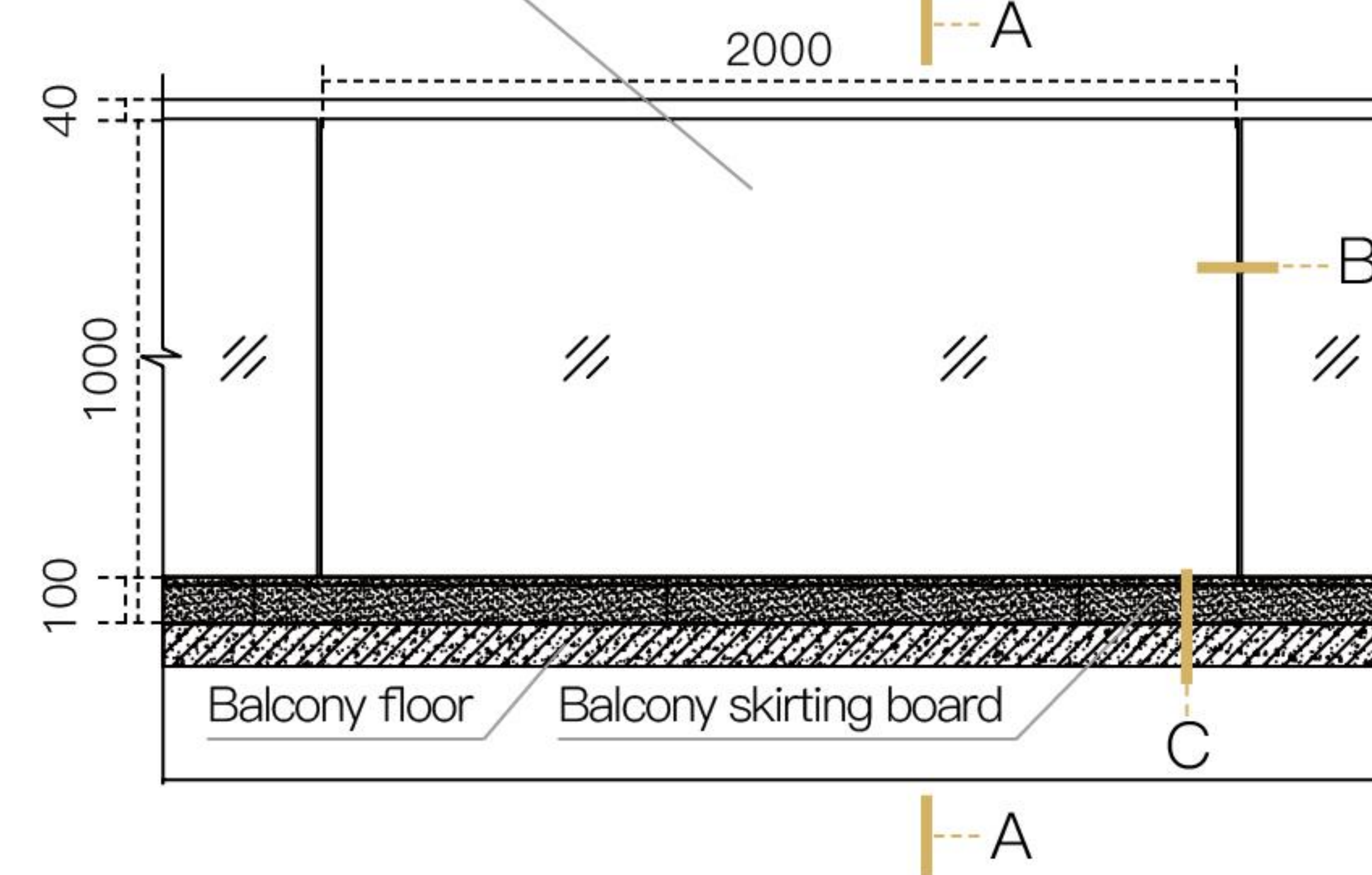
8-12mm tempered laminated glass railing



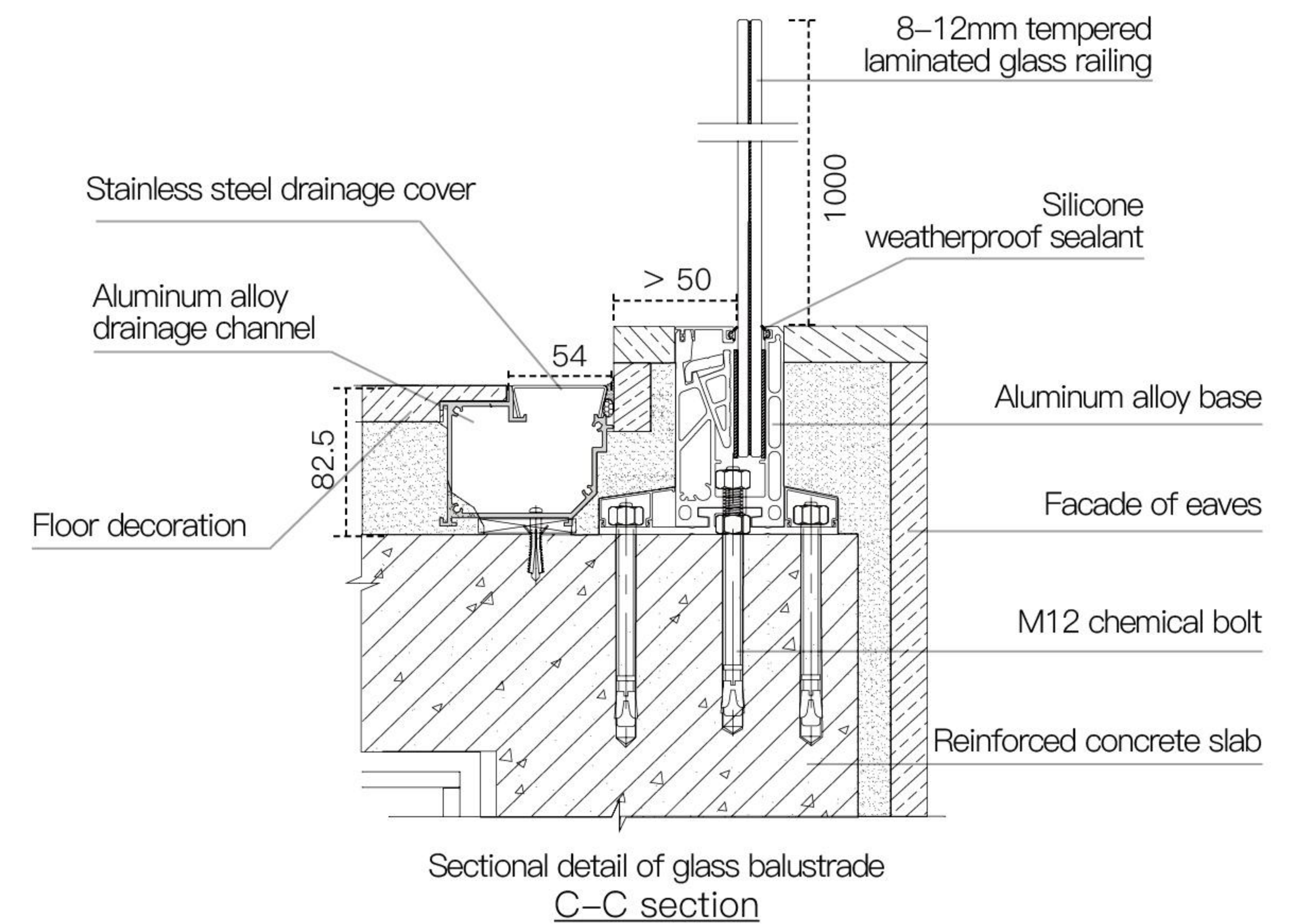
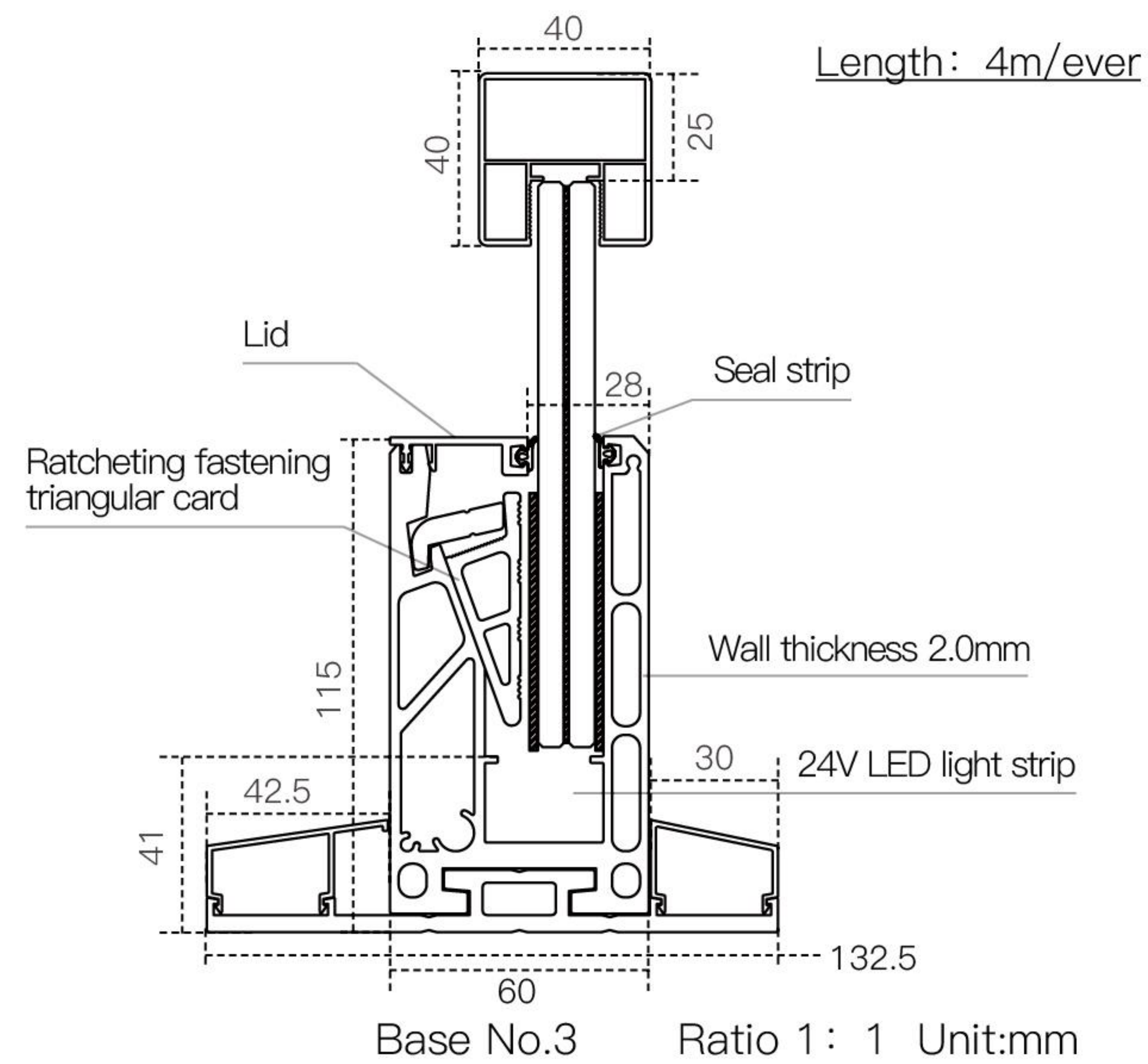
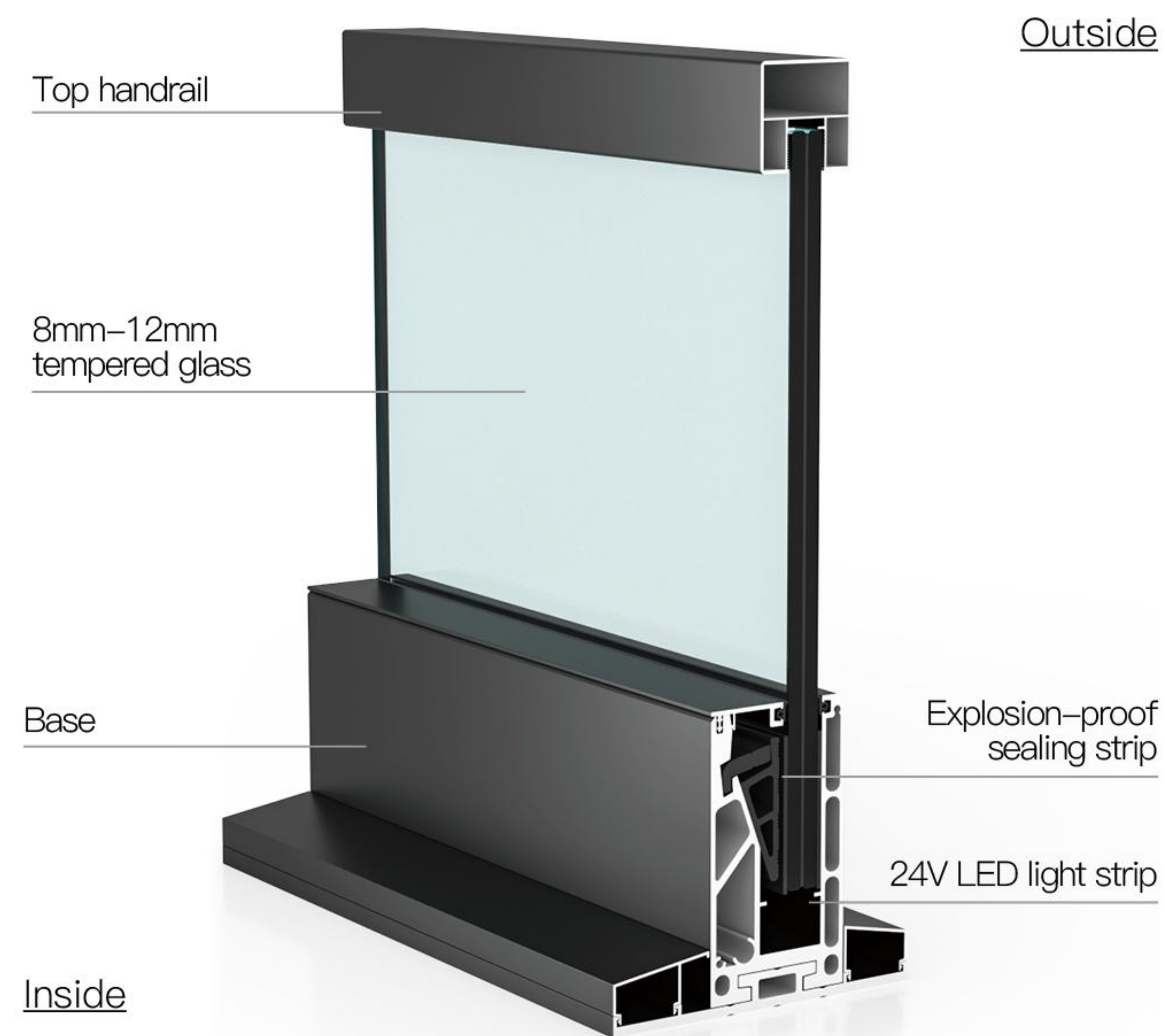
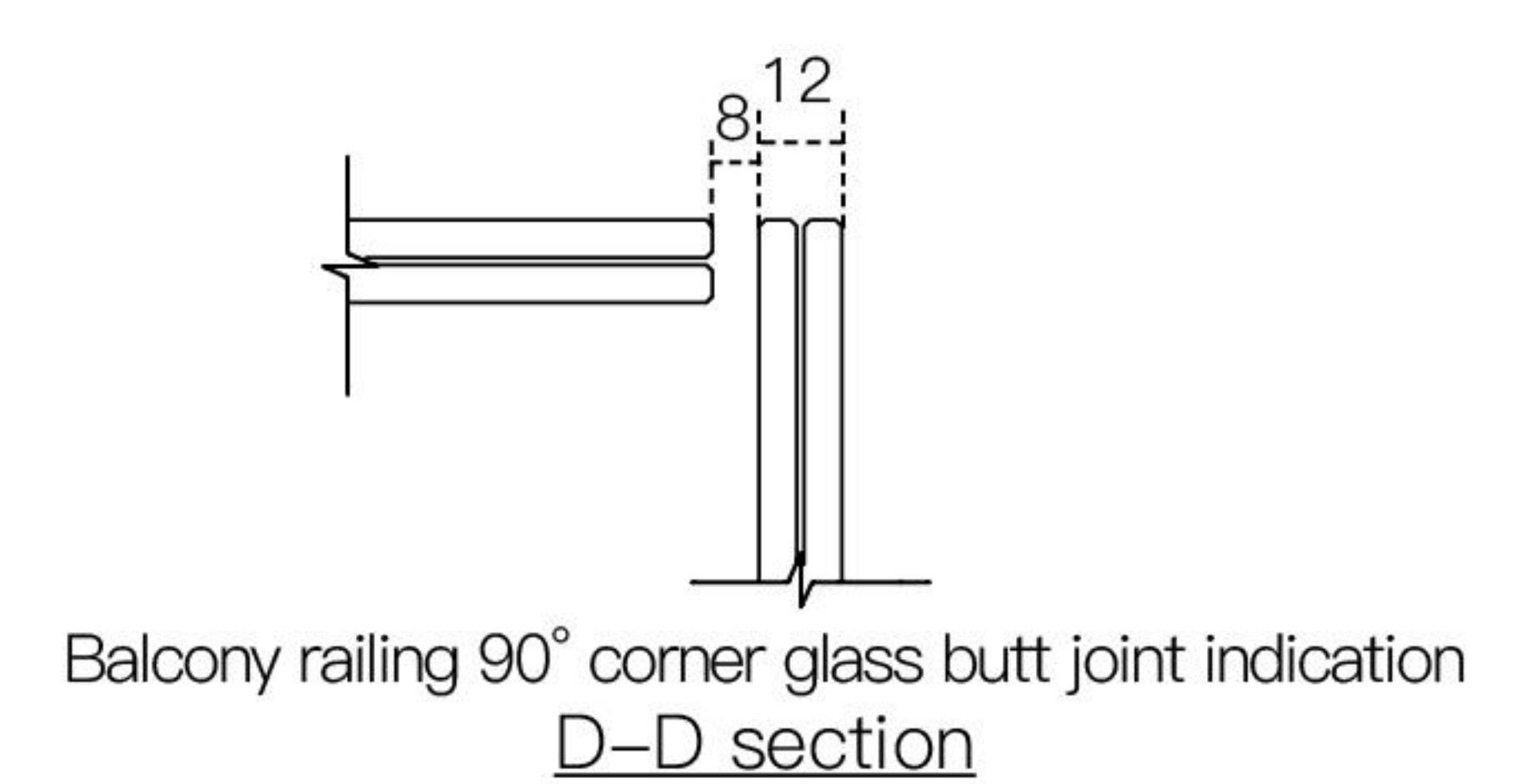
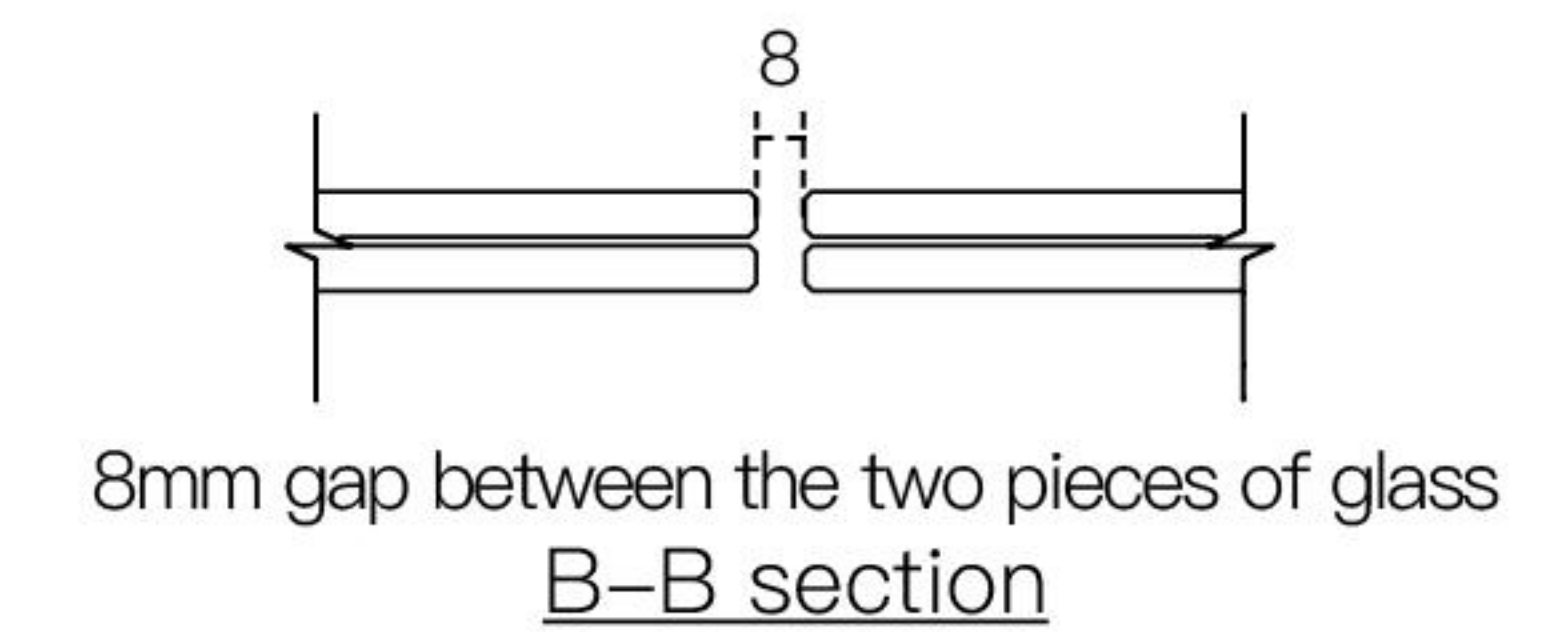
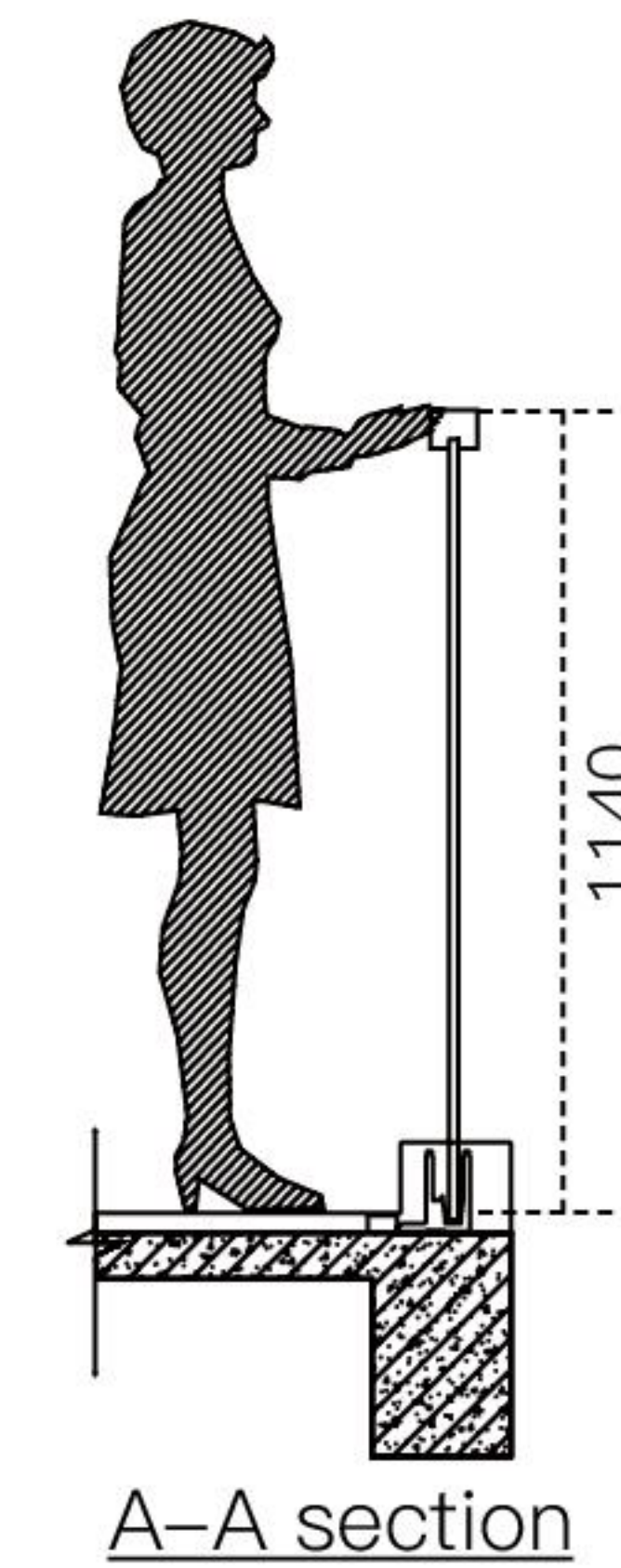
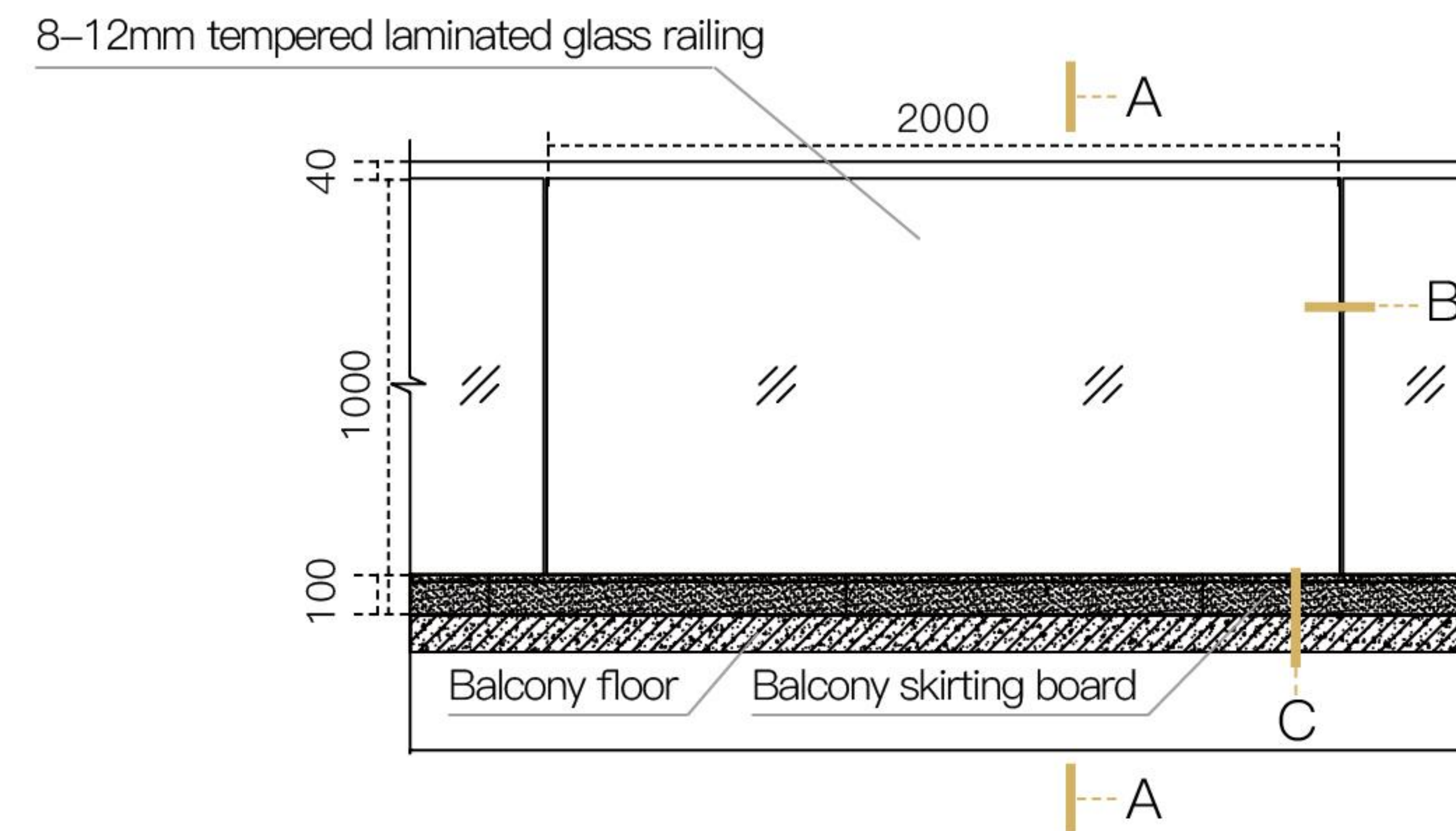
# Details Optional Solutions



8-12mm tempered laminated glass railing



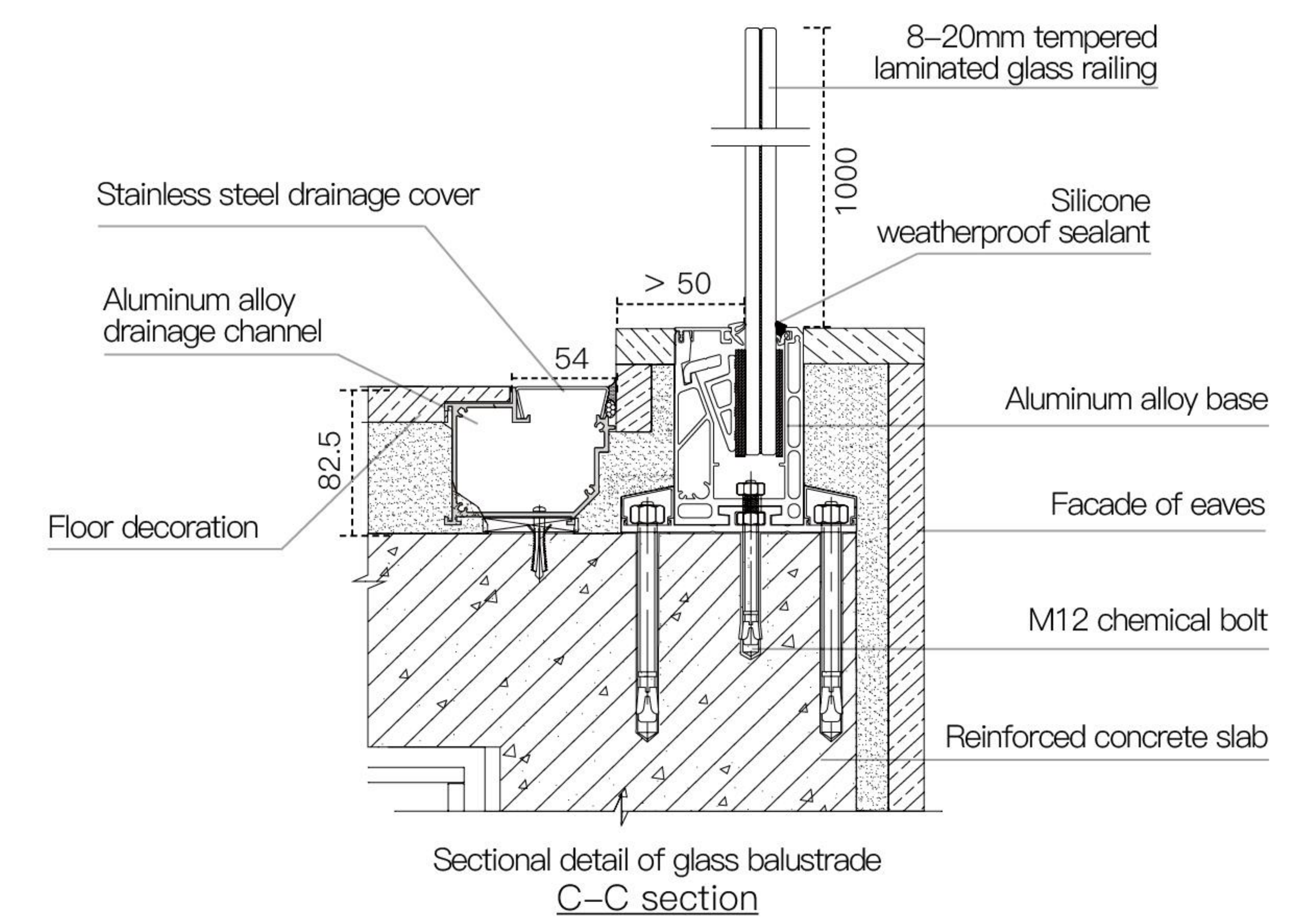
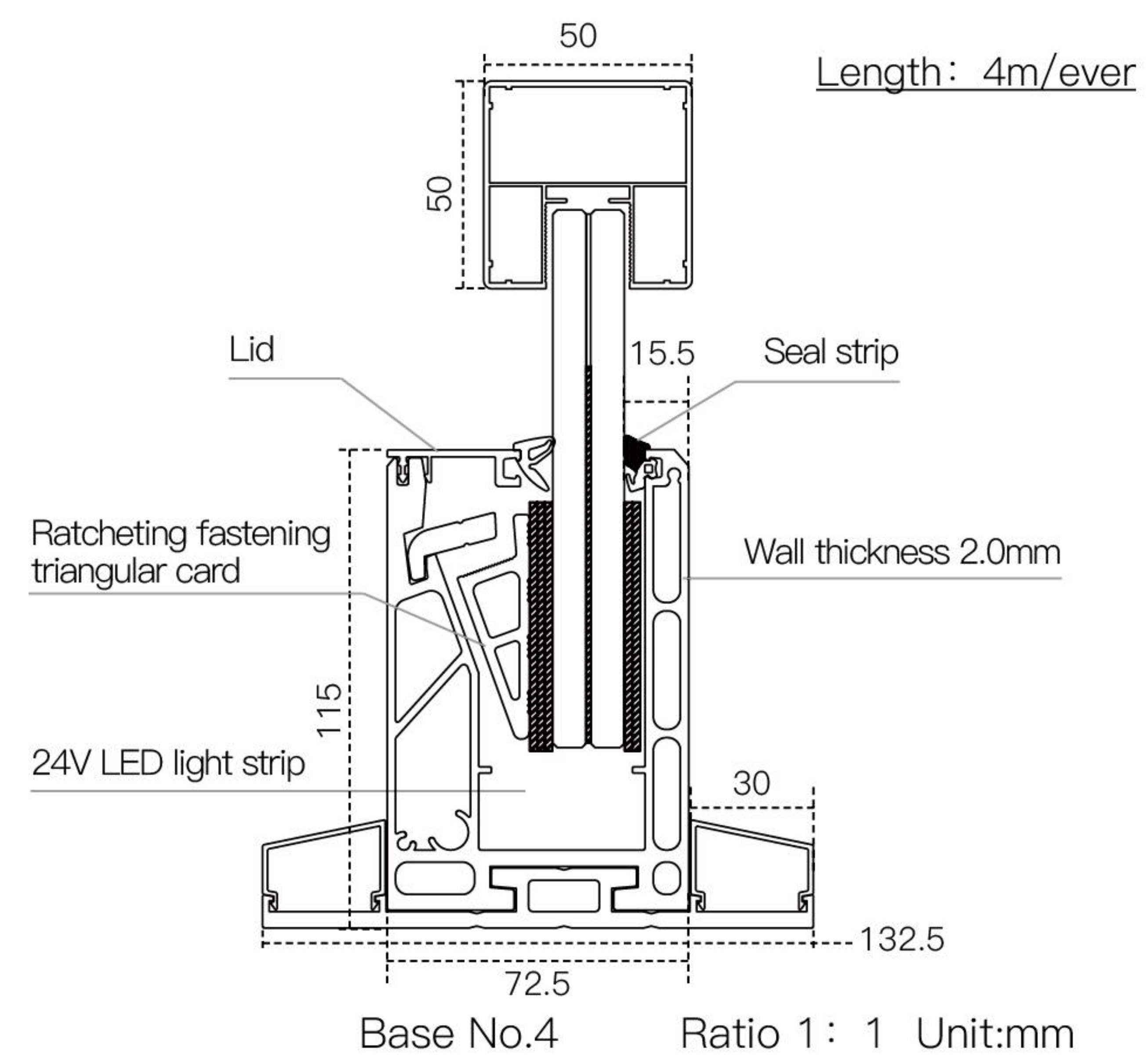
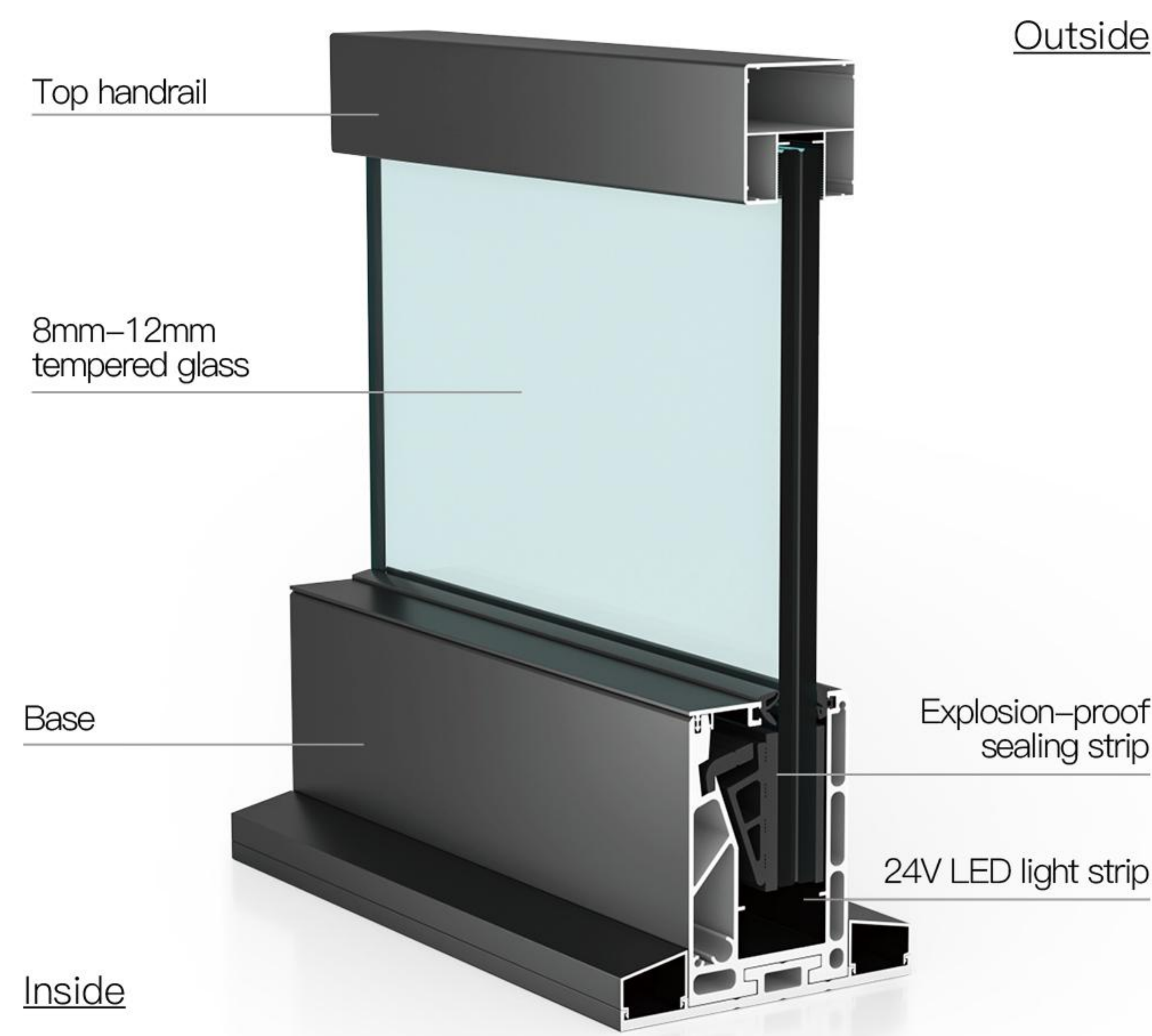
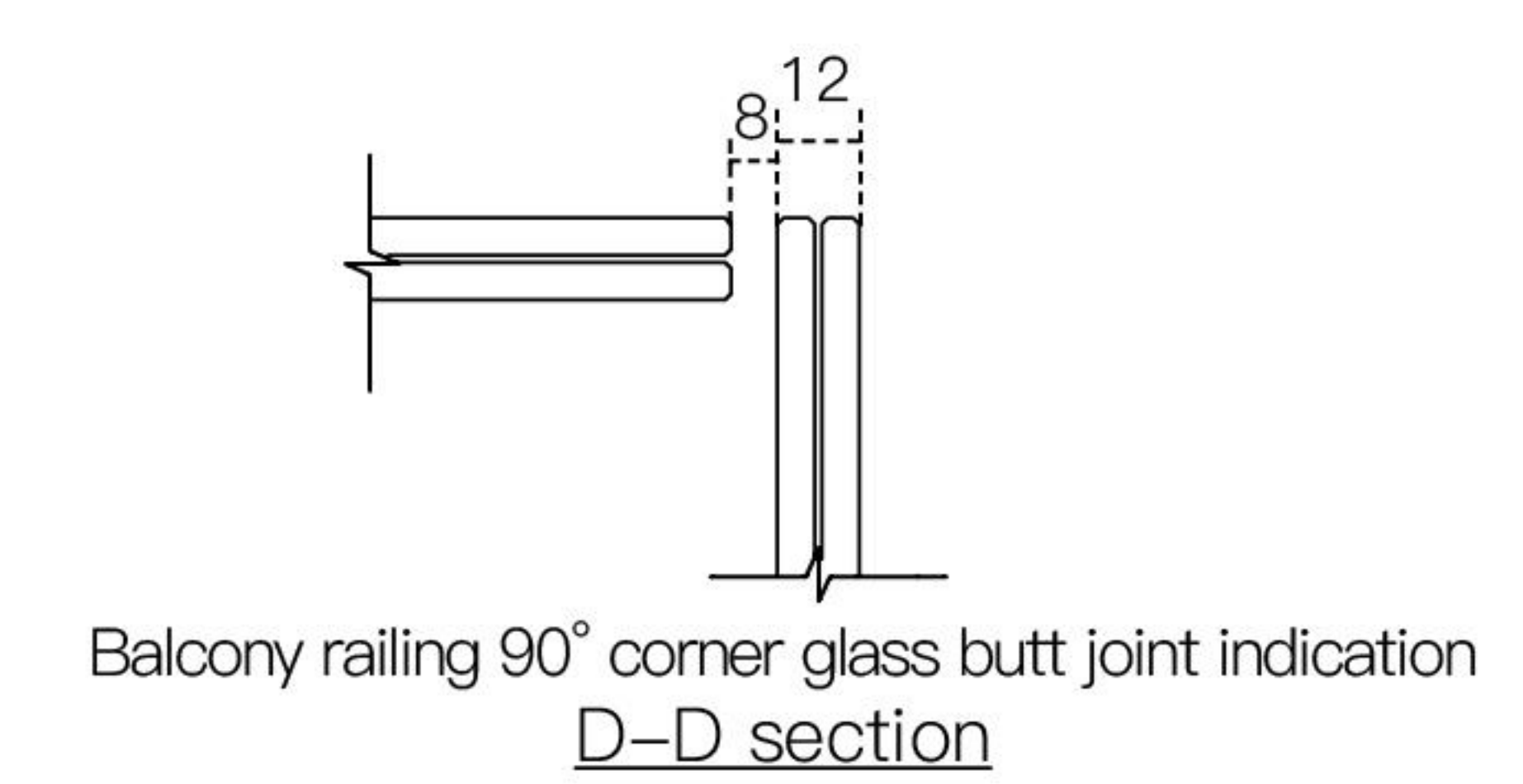
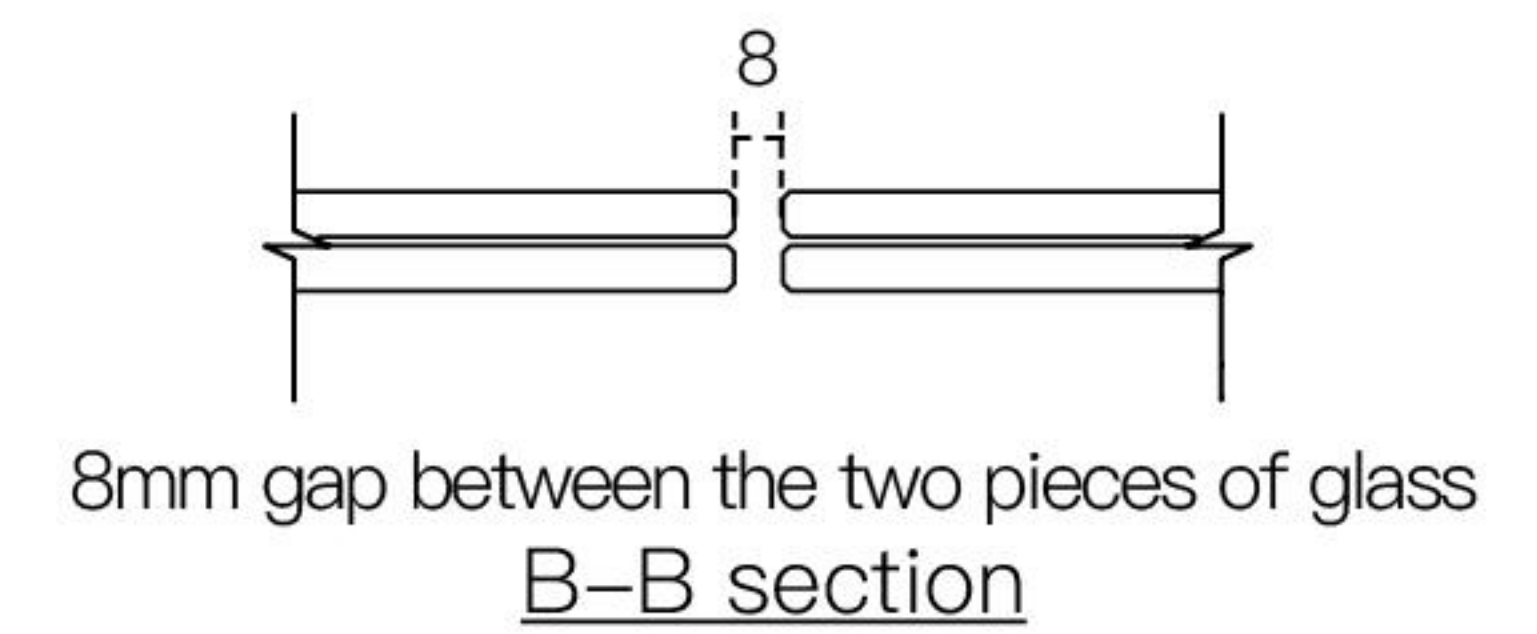
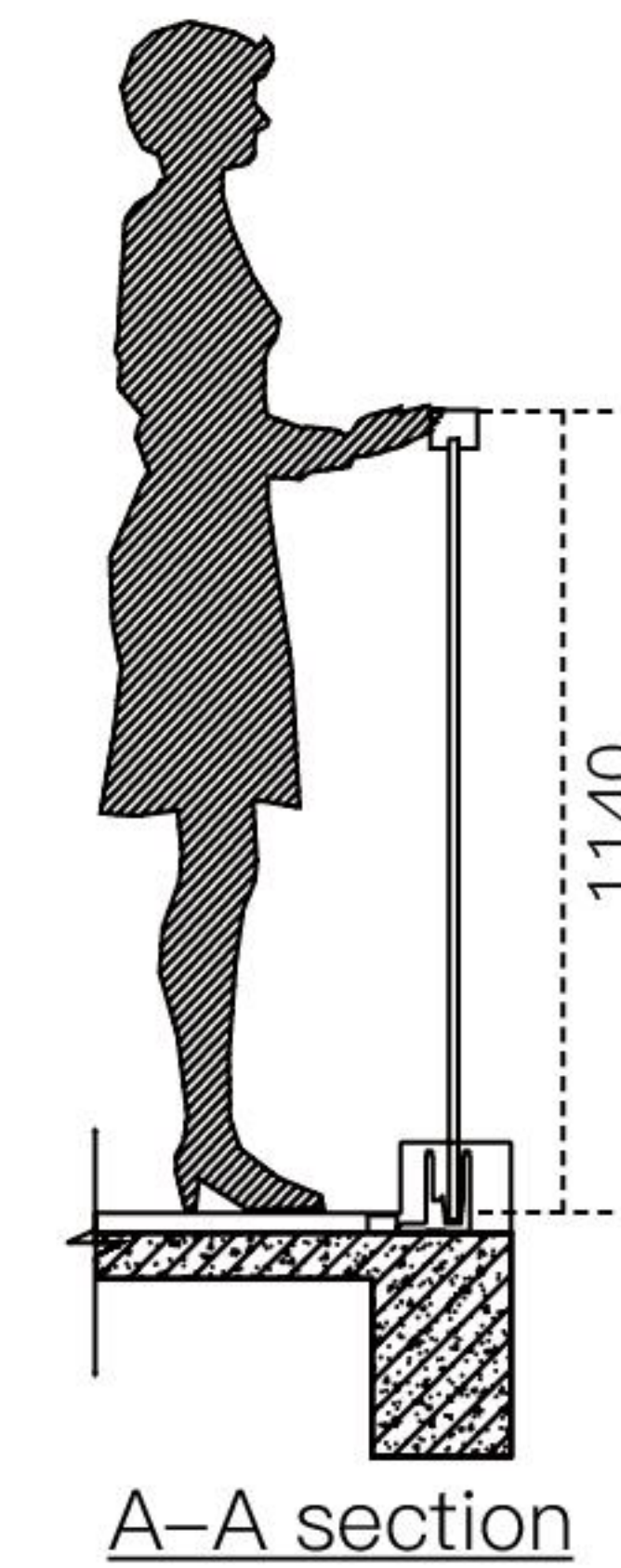
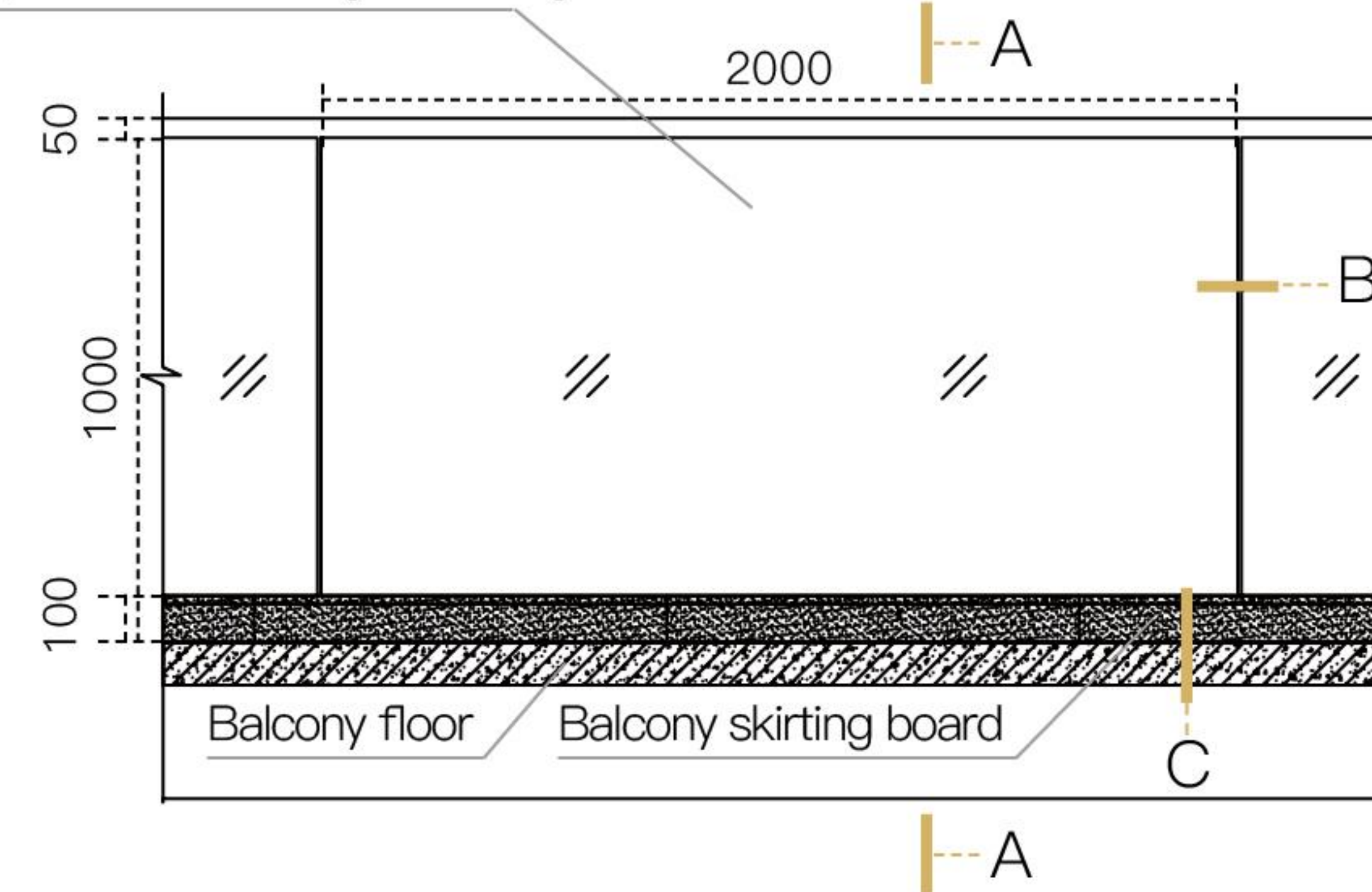
# Details Optional Solutions



# Details Optional Solutions



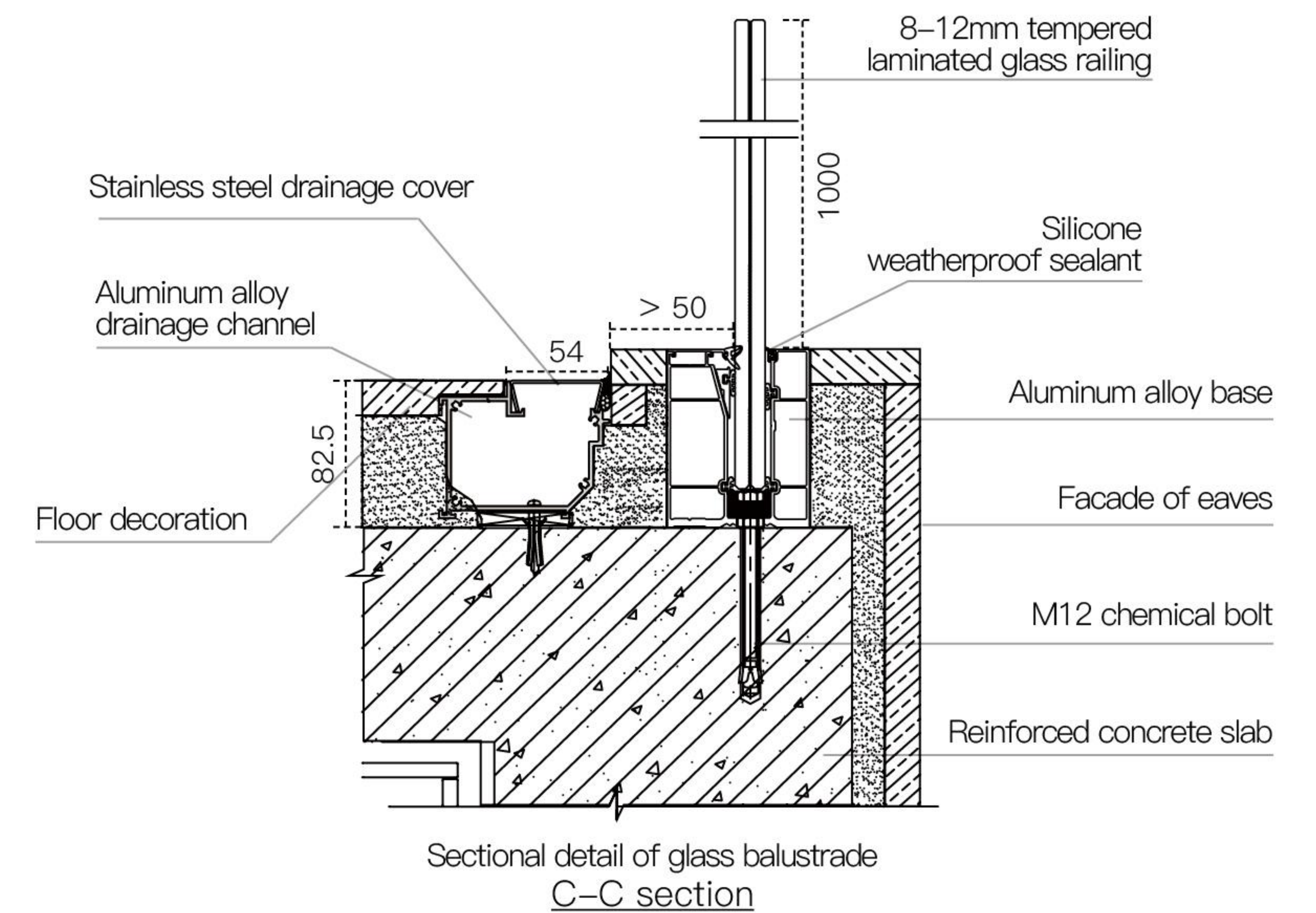
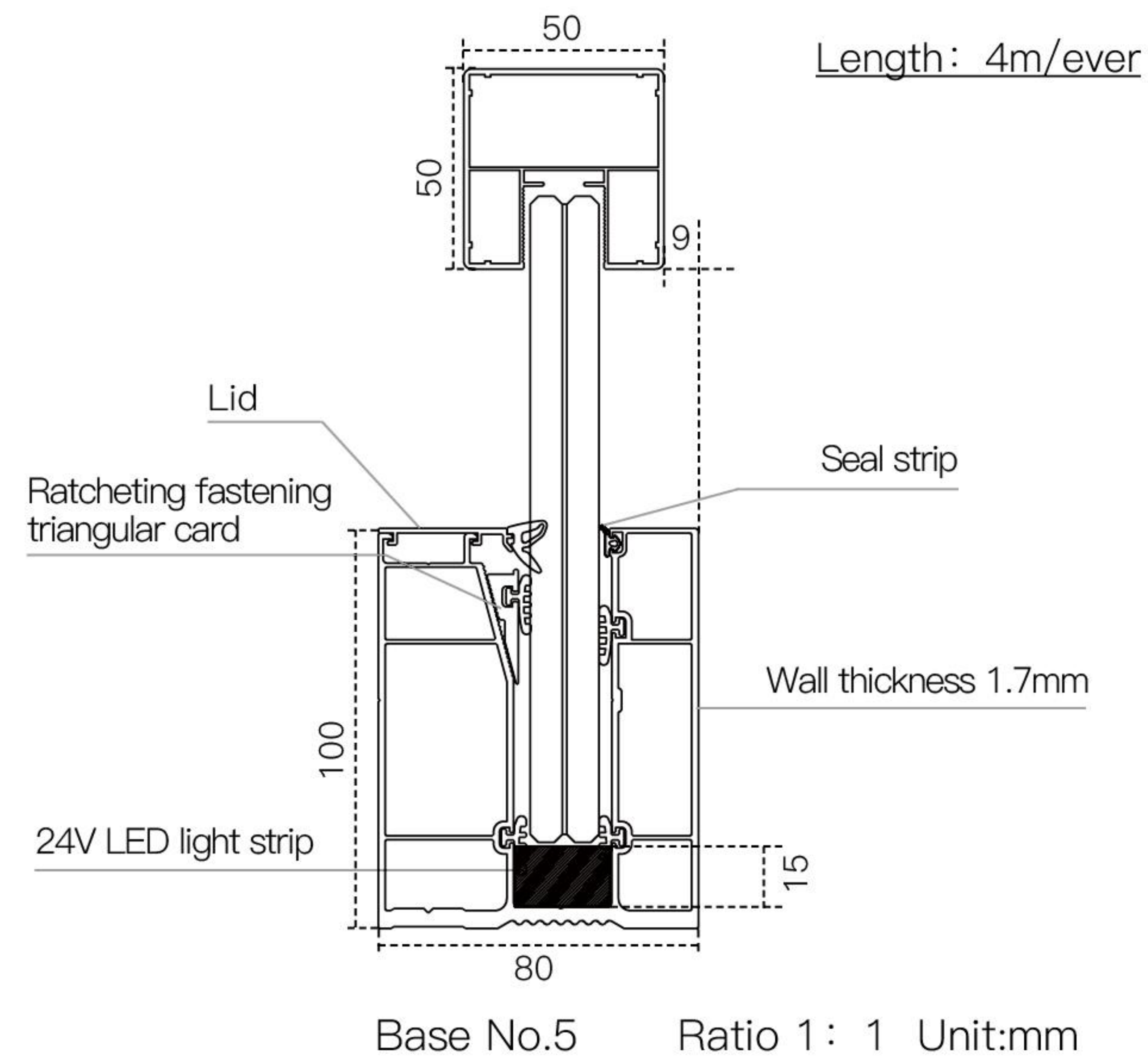
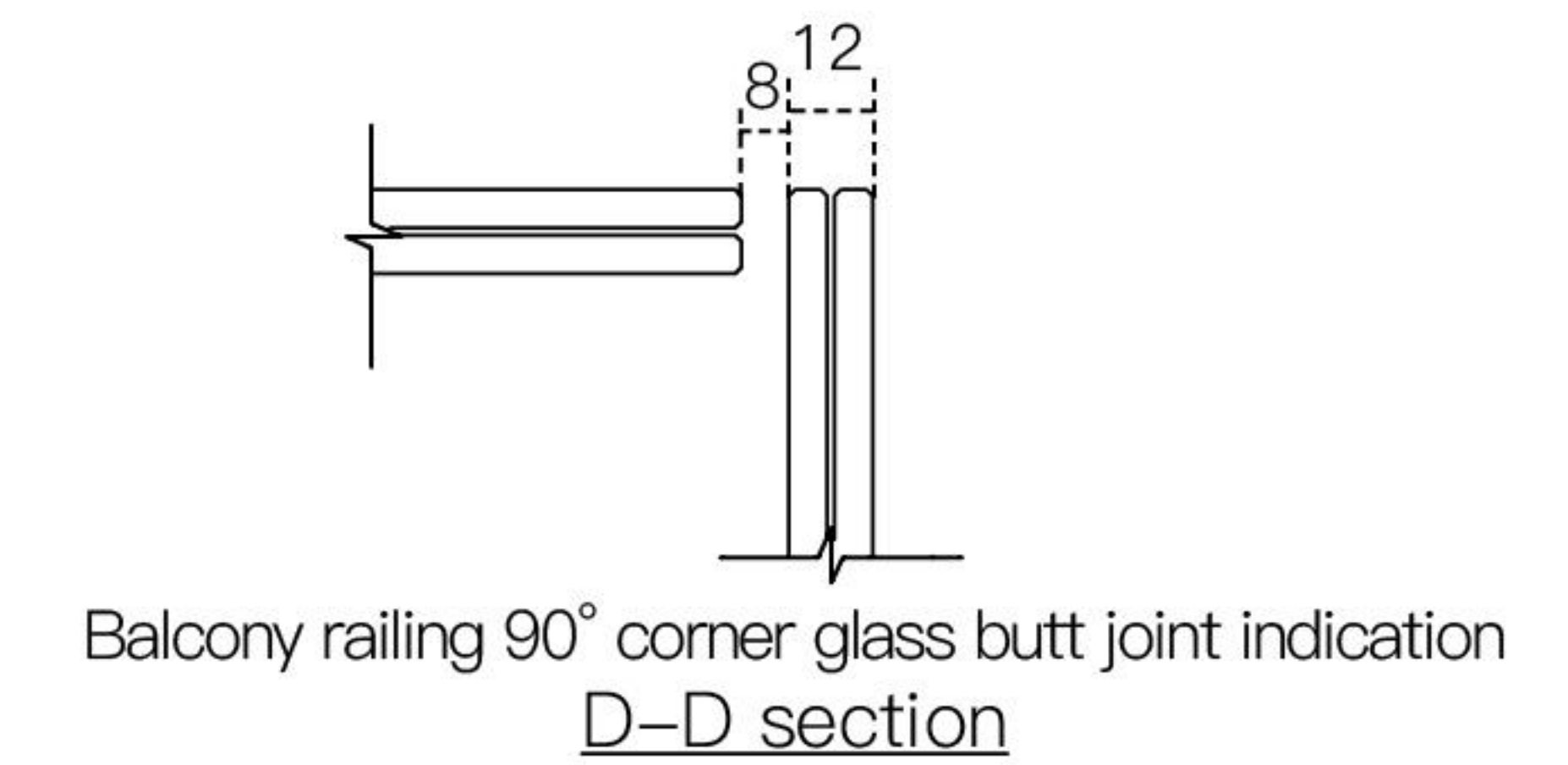
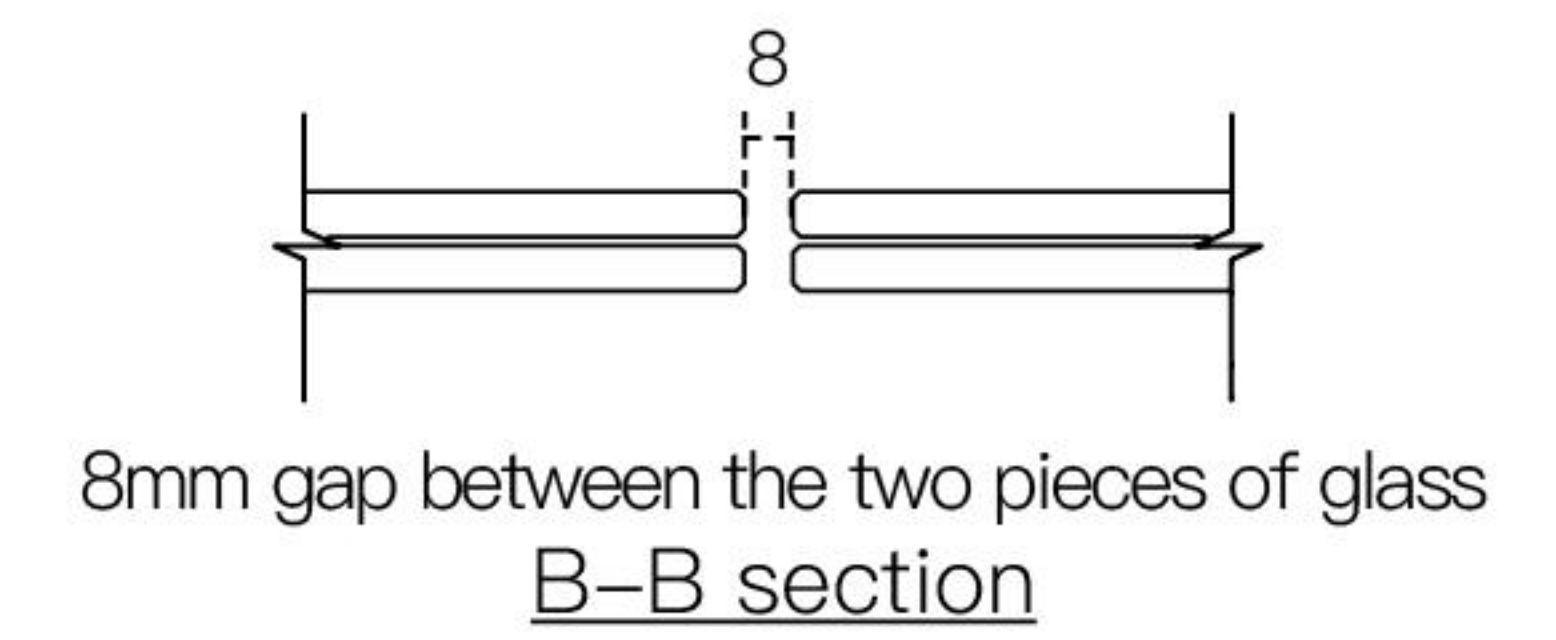
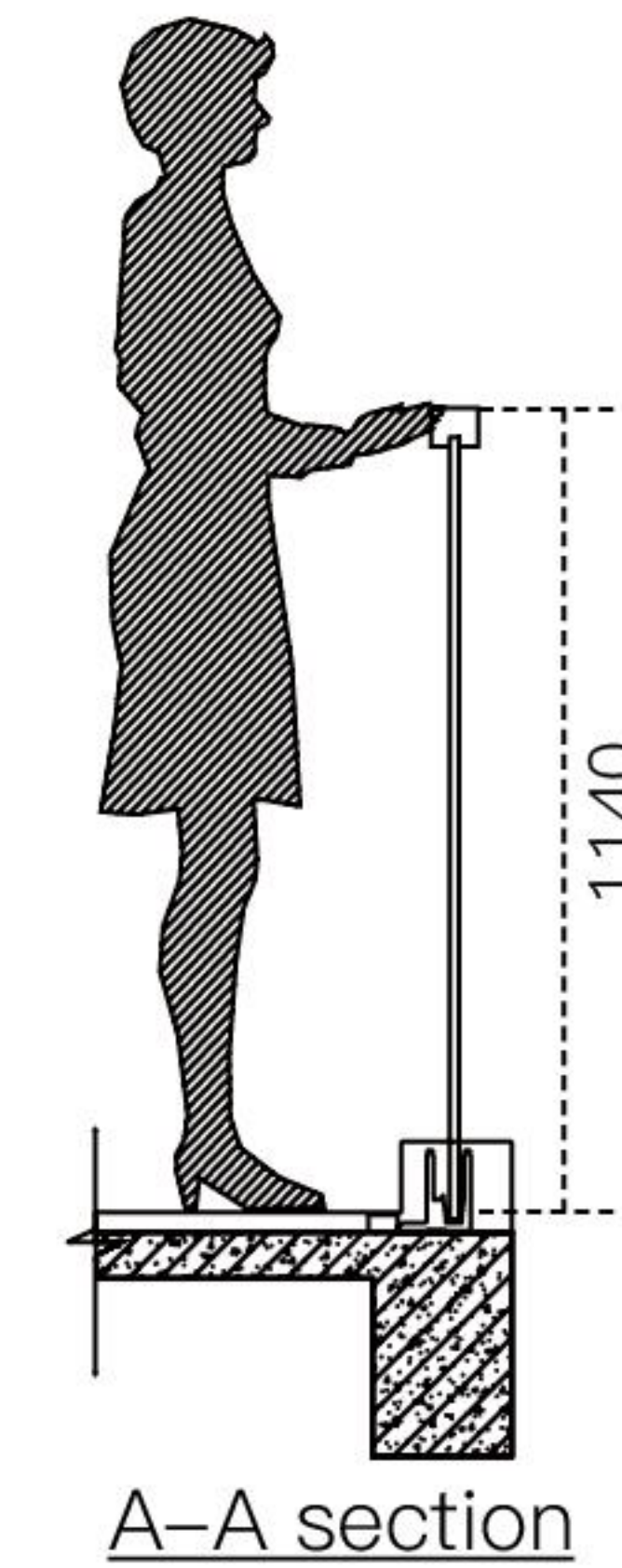
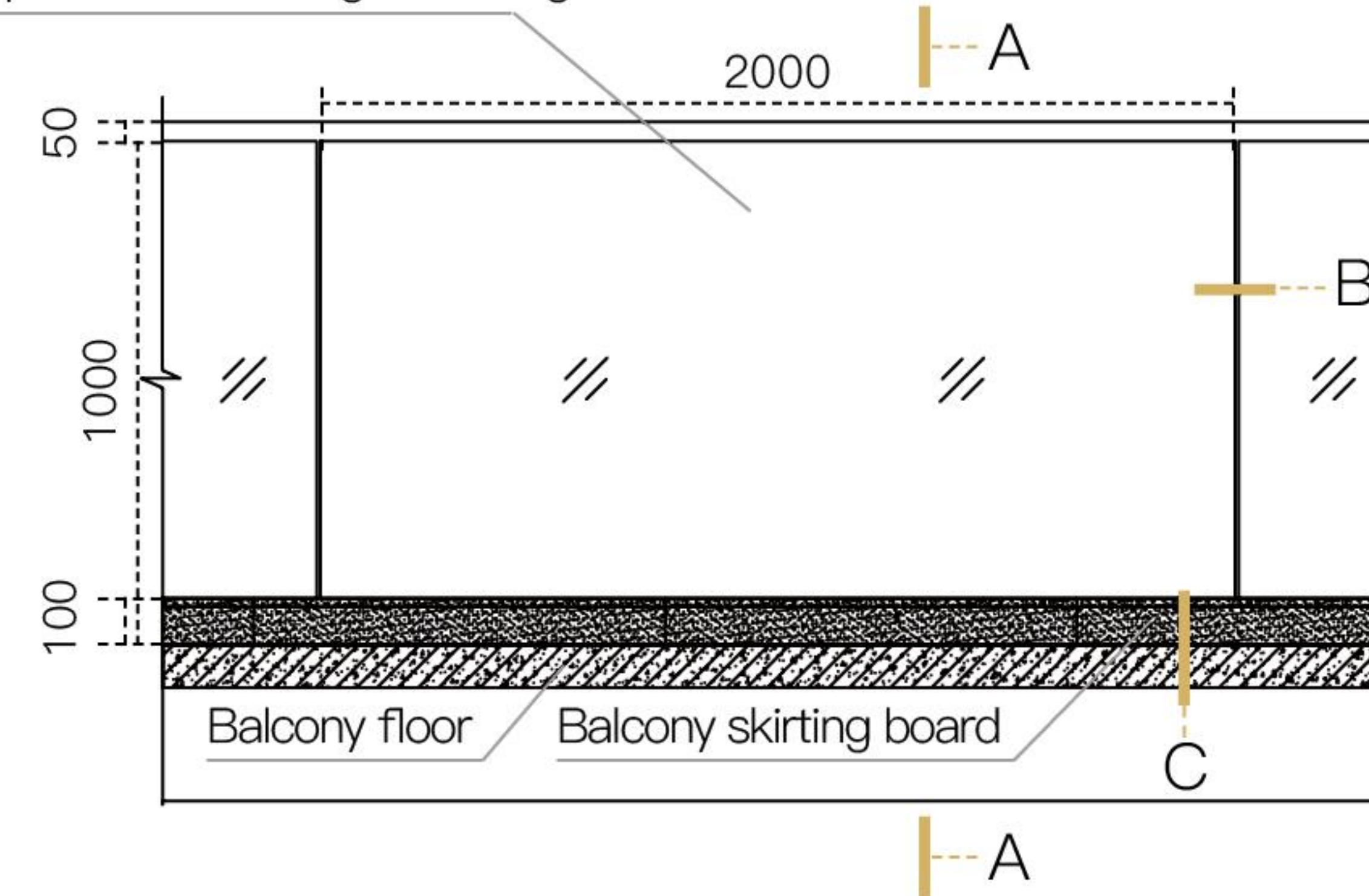
8-12mm tempered laminated glass railing



# Details Optional Solutions



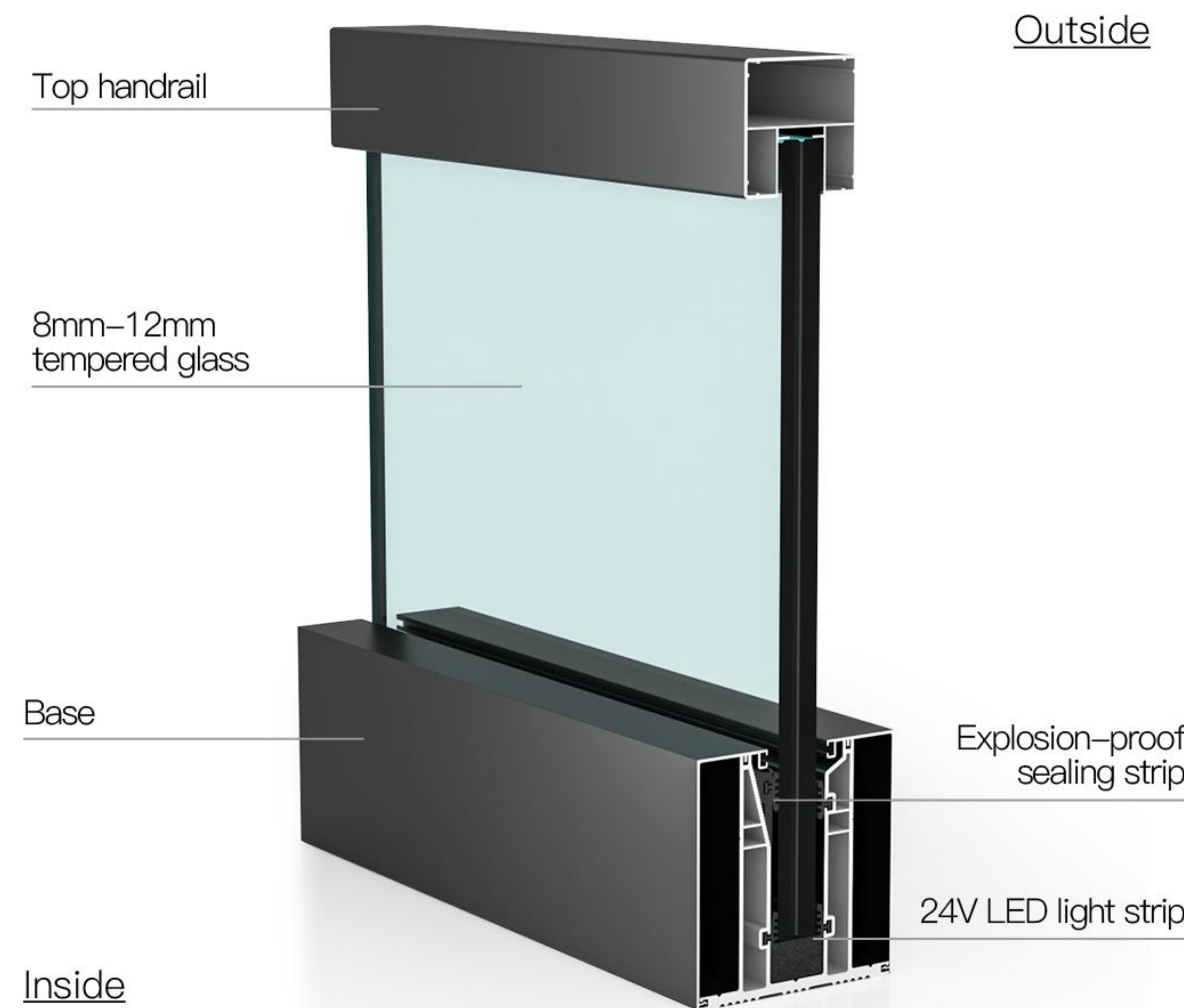
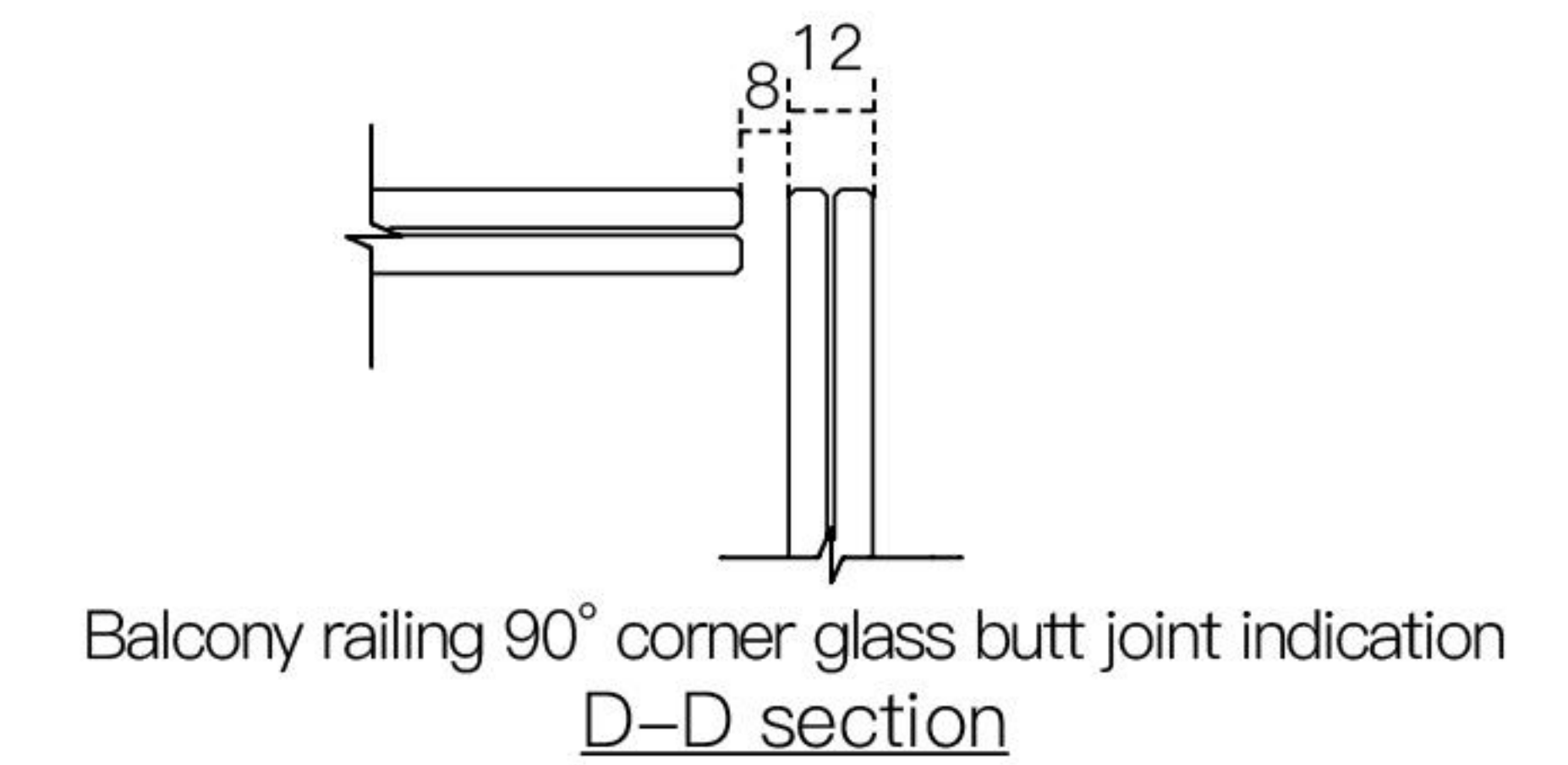
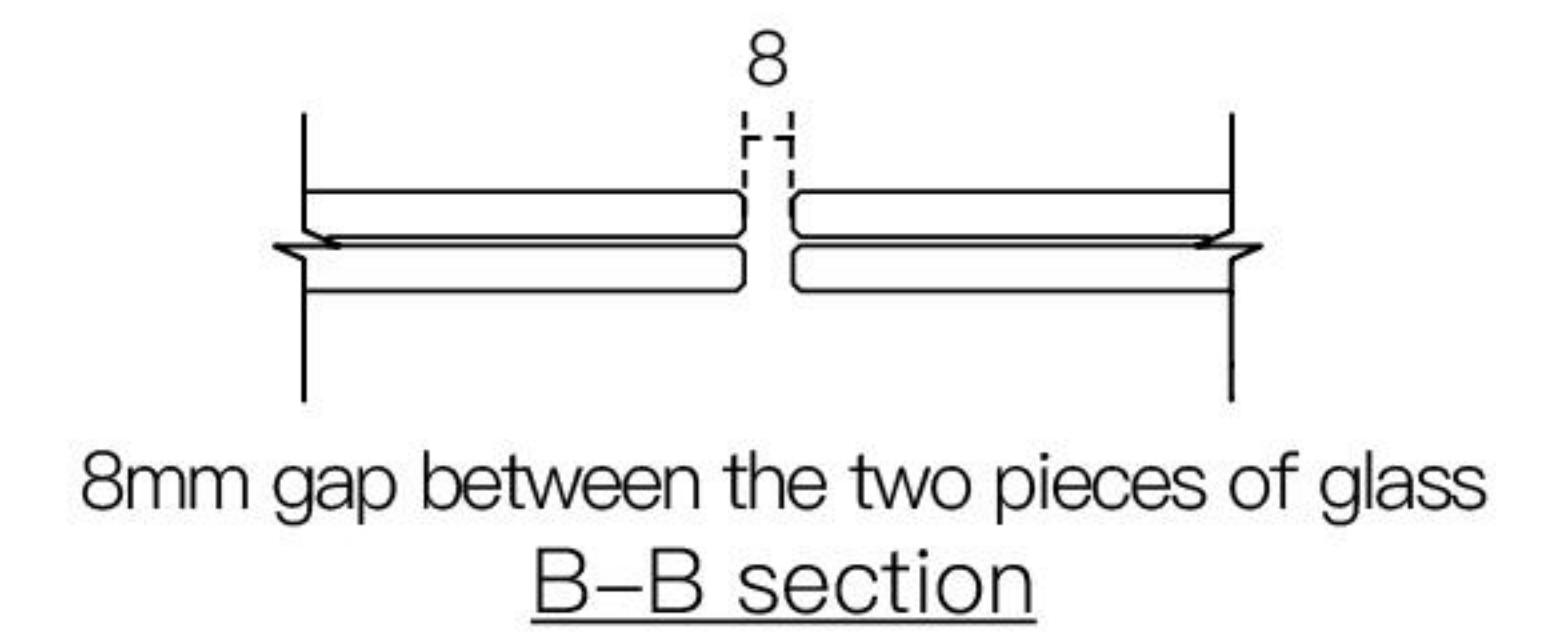
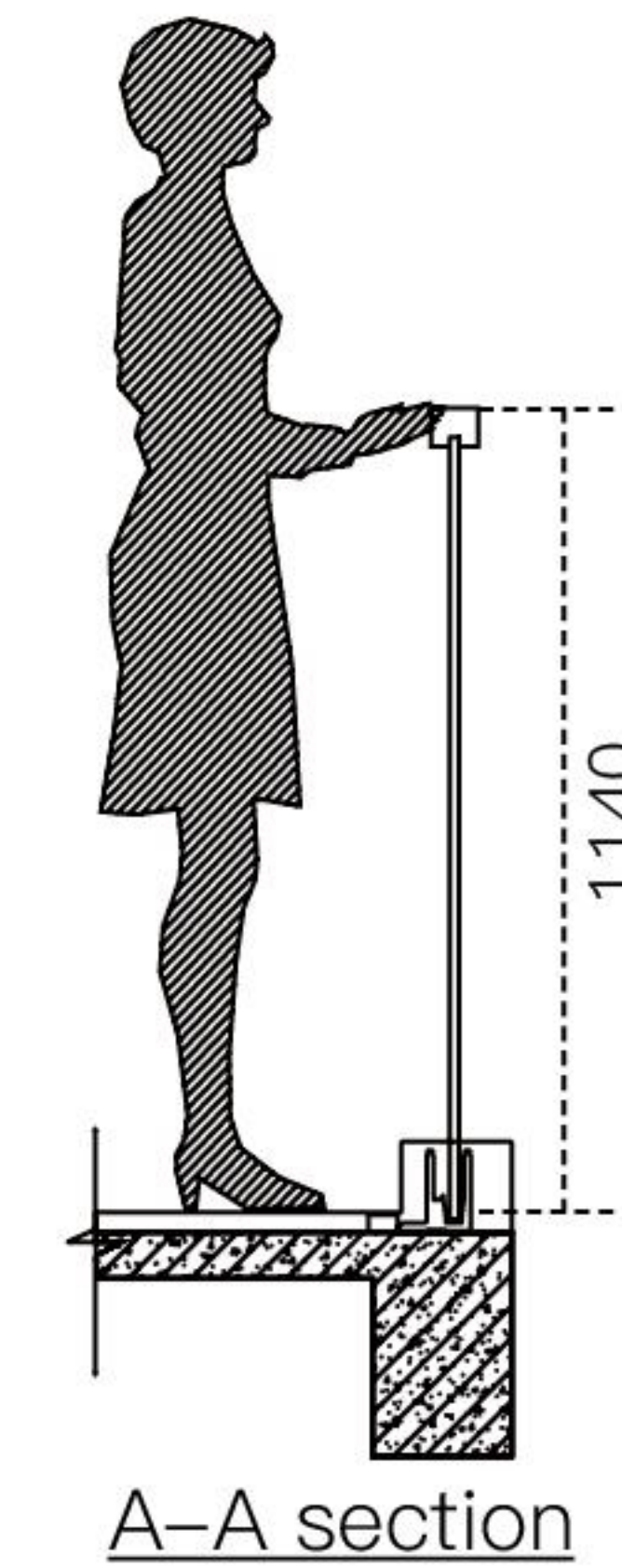
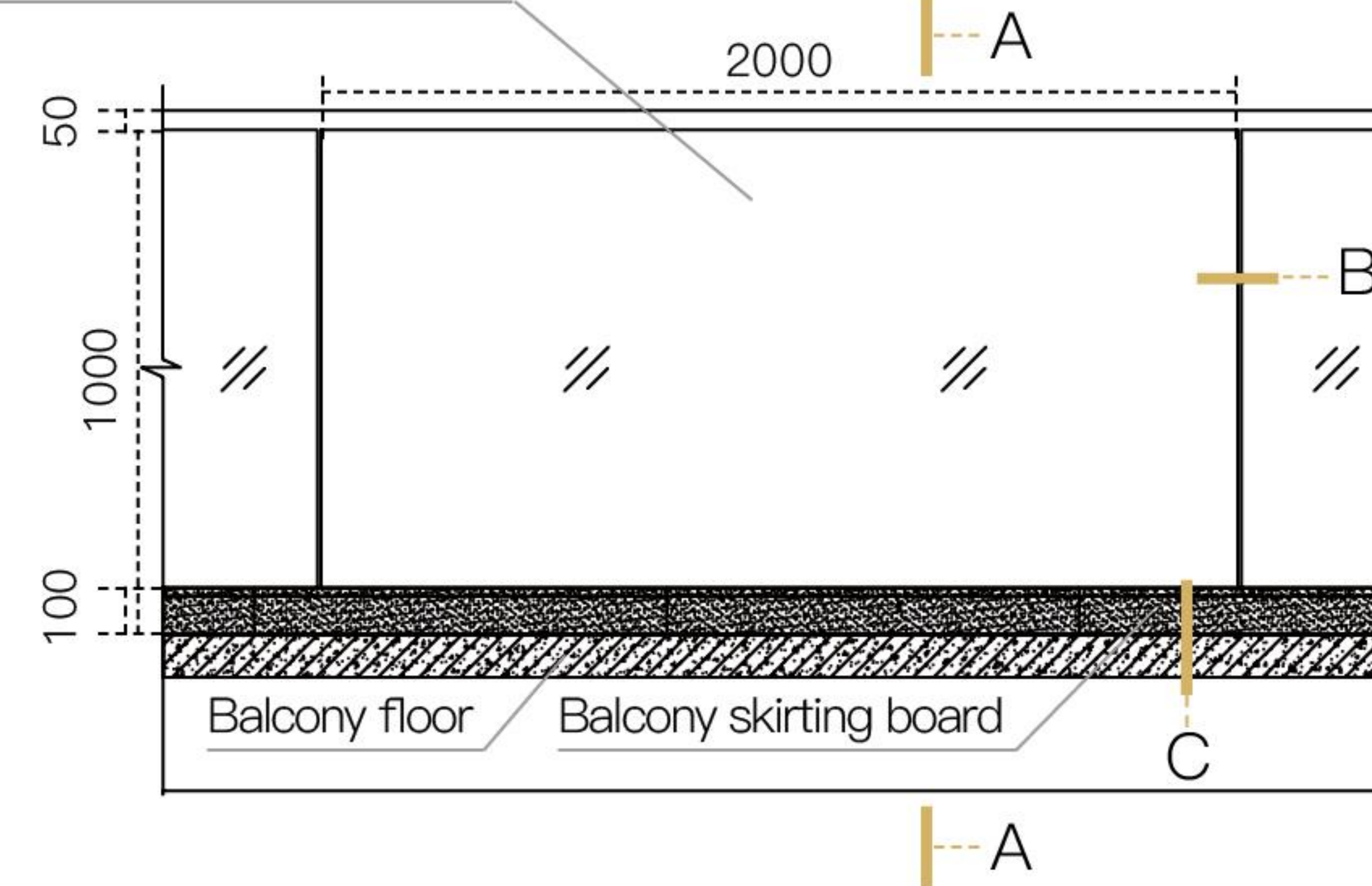
8-12mm tempered laminated glass railing



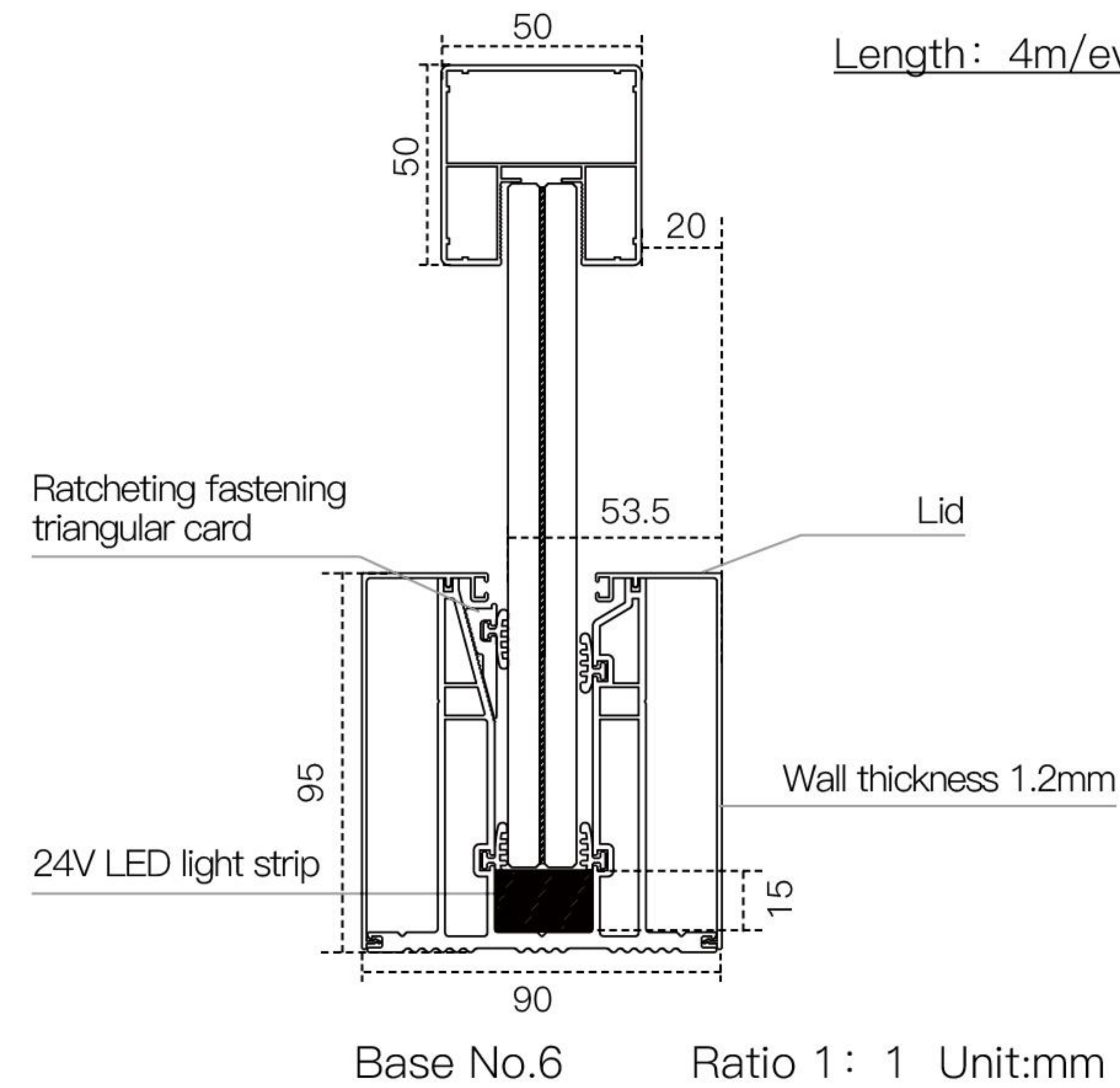
# Details Optional Solutions



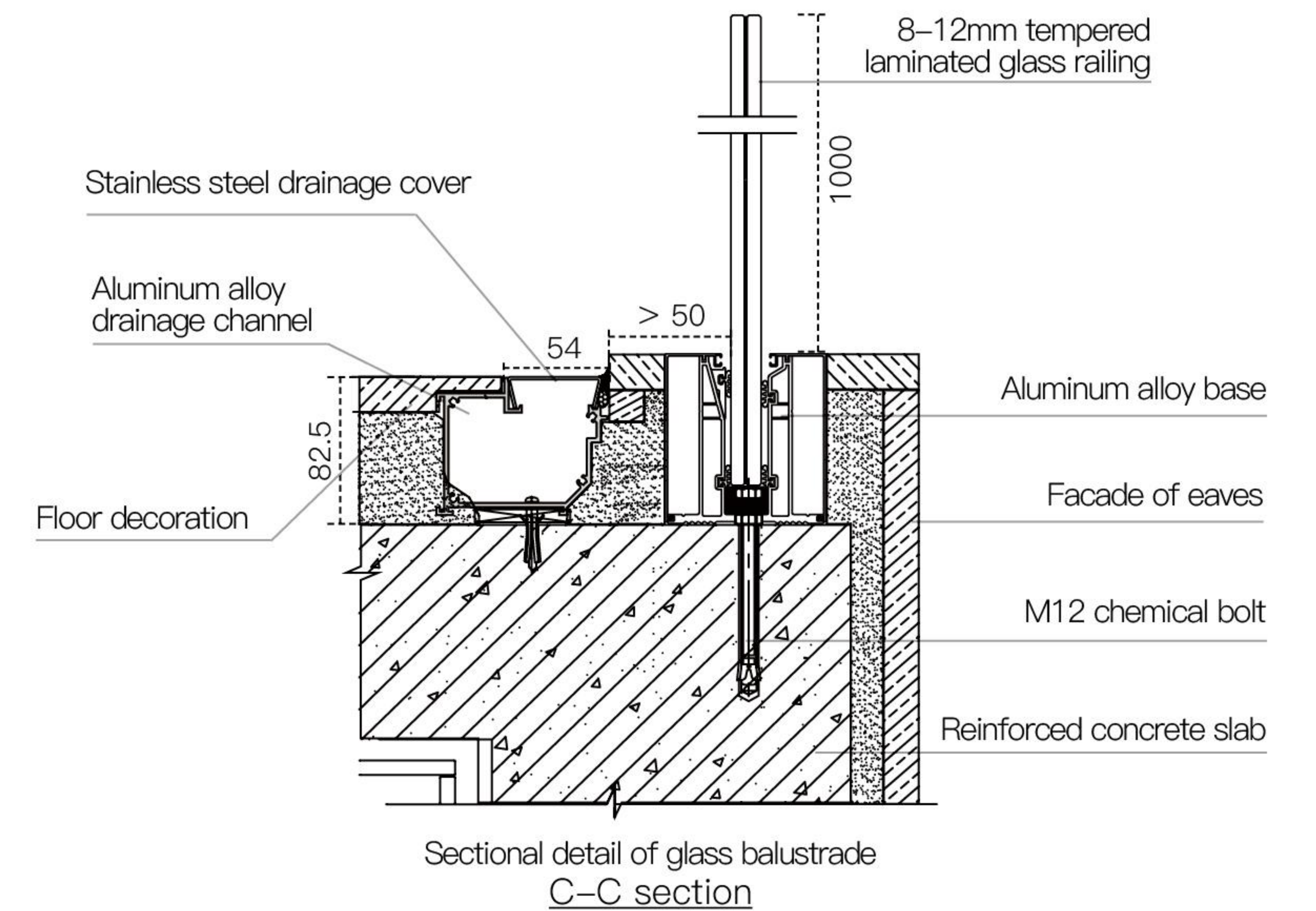
8-12mm tempered laminated glass railing



Outside



Length: 4m/ever



**ANKEN**<sup>®</sup>  
安科纳系统门窗



ANKENA Windows And Doors Co., Ltd.

ADD : No.20,Exi Industrial Park,Mashe Village, Lishui Town,Nanhai  
District, Foshan City, Guangdong Province

TEL : +86 18169839926

WED : <https://akncustom.com/>